

Cable Plug Connectors

Series A, 4-Position, Overmold Hardware Kit

Part No. 787633-1

(Accepts cable dia. .209-.171
[5.30-4.35])

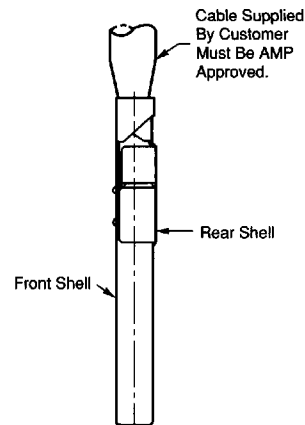
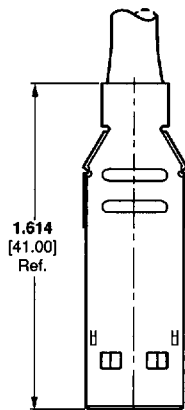
Part No. 787633-2

(Accepts cable dia. .171-.134
[4.34-3.40])

Each kit contains:

- 1-Housing
- 1-Front Shell
- 1-Rear Shell

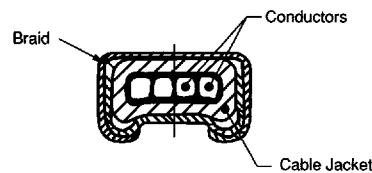
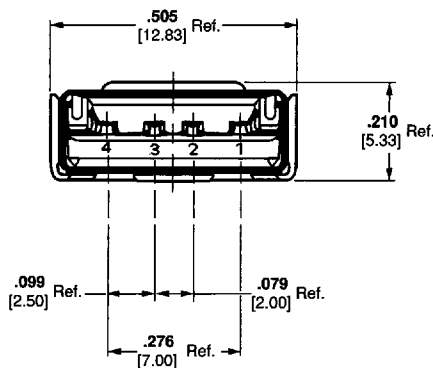
Contacts must be ordered separately



Material and Finish:

Housing—Thermoplastic, UL 94V-0 rated, natural

Front and Rear Shells—Steel, plated .000197 [0.005] min. bright tin-lead over .000100 [0.0025] min. copper



Series B, USB 4-Position, Overmold Hardware Kit

Part No. 787781-1

(Accepts cable dia. .209-.171
[5.30-4.35])

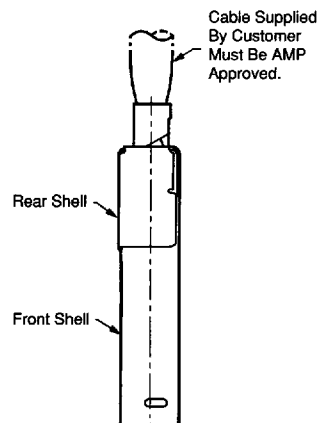
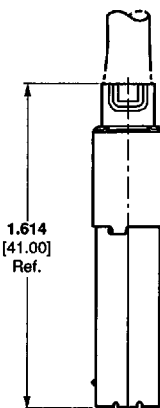
Part No. 787781-2

(Accepts cable dia. .171-.134
[4.34-3.40])

Each kit contains:

- 1-Housing
- 1-Front Shell
- 1-Rear Shell

Contacts must be ordered separately



Material and Finish:

Housing—Thermoplastic, UL 94V-0 rated, natural

Front and Rear Shells—Steel, plated .000197 [0.005] min. bright tin-lead over .000100 [0.0025] min. copper

Product Specification—108-1586

