

General Description

The MIC10937 and MIC10957 Alphanumeric Display Controllers are MOS/LSI general purpose display controllers designed to interface to segmented displays (vacuum fluorescent or LED).

The MIC10937 and MIC10957 will drive displays with up to 16 characters with 14 or 16 segments plus a decimal point and comma tail. Segment decoding within each device provides for the ASCII character set (upper case only). No external driver circuitry is required for displays that operate on 20mA of drive current up to 50V. A 16 × 64-bit segment decoder provides internal ASCII character set decoding for the display.

The MIC10937 and MIC10957 are identical with the exception that the MIC10957 has two additional decodings for the decimal point and comma tail.

Micrel has received the rights from Rockwell International to manufacture and market this product and reproduce the specifications, including references to Rockwell.

Features

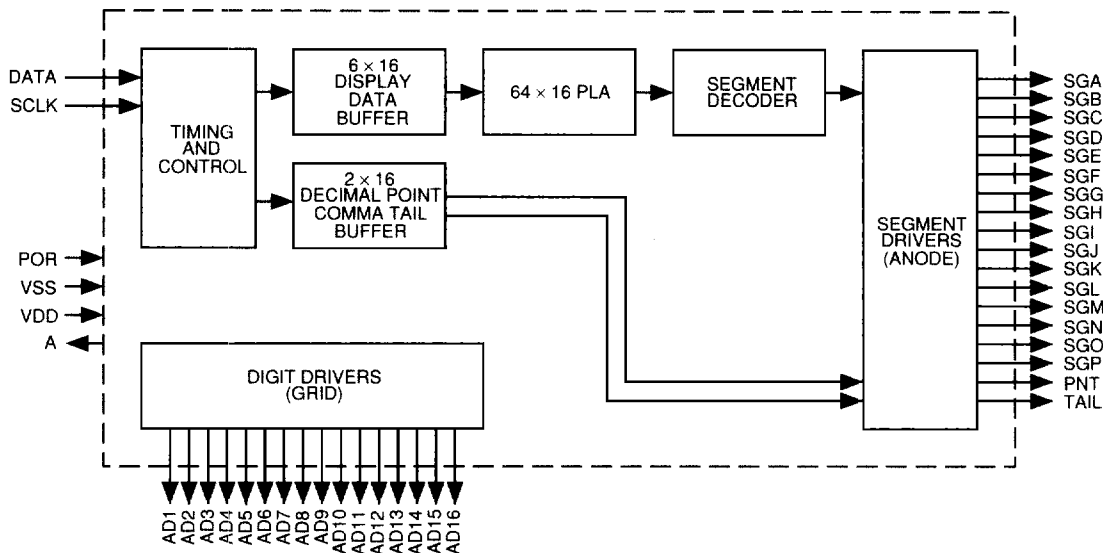
- 16-character display with decimal point and comma tail
- 14 or 16-segment drivers
- Up to 66kHz data rate
- Direct digit drive and 20mA at 50V
- Supports vacuum fluorescent or LED displays
- 64 × 16-bit PLA provides segment decoding for ASCII character set (all caps only)
- Serial data input for 8-bit display and control data words
- 40-pin DIP or 44-pin PLCC

Ordering Information

Part Number	Drive	Temp. Range	Package
MIC10937J-40	40V	0°C to +70°C	44-pin PLCC
MIC10937P-40/ MIC10937P-50†	50V	0°C to +70°C	40-pin P-DIP
MIC10937PE-40/ MIC10937PE-50†	50V	-40°C to +85°C	40-pin P-DIP
MIC10957J-40	40V	0°C to +70°C	44-pin PLCC
MIC10957P-40/ MIC10957P-50†	50V	0°C to +70°C	40-pin P-DIP
MIC10957PE-40/ MIC10957PE-50†	50V	-40°C to +85°C	40-pin P-DIP

† Dual-marked devices replace both 40V and 50V versions

Block Diagram



* Contact Micrel for more information.