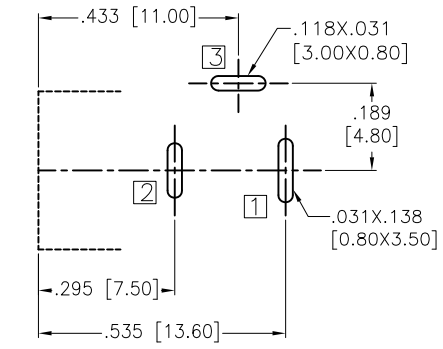
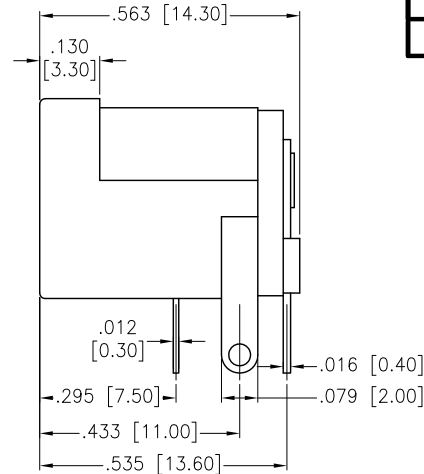
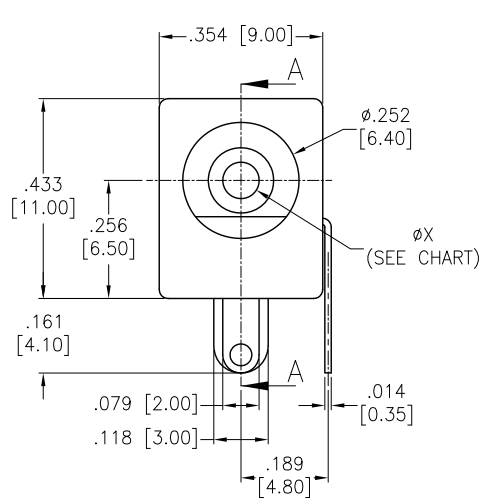
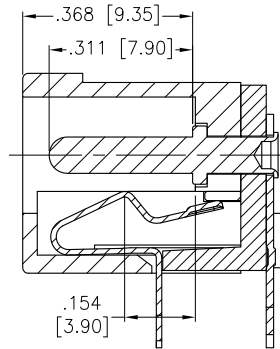
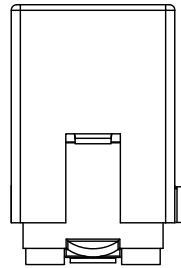


APPROVED: _____
 DATE: _____ TITLE: _____

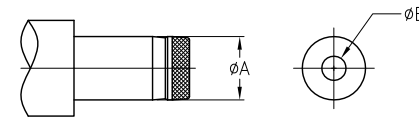
Rev	AWO #	Description	Date	Appr
-		RELEASED	12/10/04	
A		REDESIGNED	6/1/06	
B		REVISED SPEC.	11/17/11	
C		ADDED DIM.	8/8/14	AY/SC
D		UPDATED DRAWING	10/25/17	HR/OC
E		CHANGE OF MATERIAL THICKNESS	12/11/17	HR/TOM



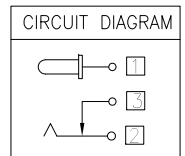
RECOMMENDED PCB LAYOUT
(BOTTOM VIEW)



SECTION A-A



DC MATE PLUG



PART NO.	ØX	ØA	ØB
ADC-002-1	.078 [2.00]	.217 [5.50]	.081 [2.05]
ADC-002-2	.098 [2.50]	.217 [5.50]	.100 [2.55]
ADC-002-5	.092 [2.35]	.217 [5.50]	.094 [2.40]

SPECIFICATIONS:

Material:
 Insulator: PBT, rated UL 94V-0
 Insulator color: Black
 Center Pin: Brass, Ni plated
 Contacts: Copper Alloy
 Plating:
 Tin over Copper underplate overall
 Electrical:
 Rating: DC 20V, 4A
 Contact resistance: 30 mohms max
 Insulation resistance: 100 Mohms min @ 500 VDC
 Dielectric withstanding voltage: 500 VAC
 Temperature Rating:
 Operating temperature: -20°C to +70°C
 Environmental:
 Lead free, RoHS compliant.



UNLESS OTHERWISE SPECIFIED ALL DIMENSIONS ARE INCHES [MM] TOLERANCES: EXCEPT AS NOTED INCHES HOLES .X ± .10 Ø.X ± .10 .XX ± .020 Ø.XX ± .015 .XXX ± .015 Ø.XXX ± .010		ADAM TECH INTERCONNECTS 909 Rahway Avenue, Union, NJ 07083 Phone: 908-687-5000 Fax: 908-687-5710	
APPROVALS		DATE	
DRAWN	SS	10/4/04	
CHECKED			
APPROVED			
TITLE			
DC POWER JACK, RIGHT ANGLE			
SIZE	PART NO.	REV.	
X	ADC-002-X	E	
REF:	S00002C	SCALE: NTS	SHEET 1 OF 1