

Standard Products

VRG8657/VRG8658

Low Drop Out(LDO) Adjustable Voltage Regulators Dual Positive Radiation Tolerant


www.aeroflex.com/voltreg

June 21, 2010



AEROFLEX
A passion for performance.

FEATURES

- ❑ Manufactured using  Linear Technology Corporation® Space Qualified RH1086 die
- ❑ Radiation performance
 - Total dose \geq 100 krad (Si)
- ❑ Two-Independent voltage regulators
- ❑ Thermal shutdown
- ❑ Output voltage adjustable: 1.25V to 23V
- ❑ Dropout voltage: 1.3V at 1.0Amp
- ❑ 3-Terminal
- ❑ Output current: 1.0A (See Note 1 Pg 2)
- ❑ Voltage reference: 1.25V +2%, -3.2%
- ❑ Load regulation: 0.3% max
- ❑ Line regulation: 0.25% max
- ❑ Ripple rejection: >60dB
- ❑ Packaging – Hermetic metal
 - Thru-hole or Surface mount
 - 6 Leads, .42"L x .65"W x .200"Ht
 - Power package
 - Weight - 5 gm max
- ❑ Designed for aerospace and high reliability space applications
- ❑ Available on DSCC SMD: 5962-09201


DESCRIPTION

The Aeroflex Plainview VRG8657/8658 consists of two Positive Adjustable (RH1086) LDO voltage regulators each capable of supplying 1.0Amps over the output voltage range as defined under recommended operating conditions. The VRG8657/8658 offers excellent line and load regulation specifications and ripple rejection. There is full electrical isolation between the regulators and each regulator to the package.

Dropout ($V_{IN} - V_{OUT}$) decreases at lower load currents for both regulators.

The VRG8657/8658 serves a wide variety of applications including SCSI-2 Active Terminator, High Efficiency Linear Regulators, Post Regulators for Switching Supplies, Constant Current Regulators, Battery Chargers and Microprocessor Supply.

The VRG8657/8658 has been specifically designed to meet exposure to radiation environments. The VRG8657 is configured for a Thru-Hole 6 lead metal power package and the VRG8658 is configured for a Surface Mount 6 lead metal power package. It is guaranteed operational from -55°C to $+125^{\circ}\text{C}$. Available screened to MIL-STD-883, the VRG8657/8658 is ideal for demanding military and space applications.

For detailed performance characteristic curves, applications information and typical applications see the latest  Linear Technology Corporation® data sheets for their RH/LT1086, which is available on-line at www.linear.com.

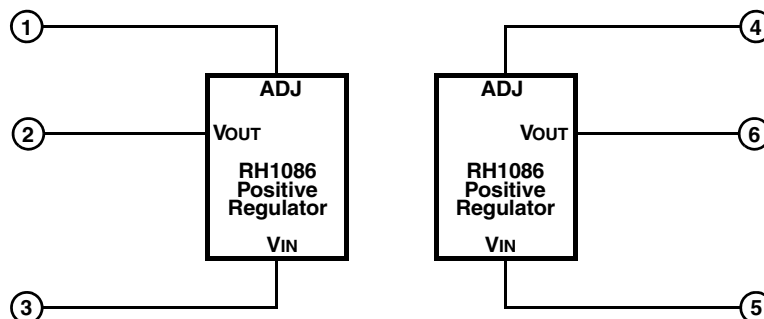


FIGURE 1 – BLOCK DIAGRAM / SCHEMATIC

ABSOLUTE MAXIMUM RATINGS

PARAMETER	RANGE	UNITS
Input Voltage	25+VREF	VDC
Lead temperature (soldering 10 Sec)	300	°C
Input Output Differential	25	VDC
Output Voltage	+25	VDC
DC Output Current	1.5	A
ESD (MIL-STD-883, M3015, Class 3A)	>4000	V
Operating Junction Temperature Range	-55 to +150	°C
Storage Temperature Range	-65 to +150	°C

NOTICE: Stresses above those listed under "Absolute Maximums Rating" may cause permanent damage to the device. These are stress rating only; functional operation beyond the "Operation Conditions" is not recommended and extended exposure beyond the "Operation Conditions" may effect device reliability.

RECOMMENDED OPERATING CONDITIONS

PARAMETER	RANGE	UNITS
Output Voltage Range	1.275 to 23	VDC
Input Output Differential <u>3/</u>	1.5 to 25	VDC
Case Operating Temperature Range	-55 to +125	°C
Thermal Resistance, Junction to case θ_{JC}	5	°C/W

ELECTRICAL PERFORMANCE CHARACTERISTICS

Unless otherwise specified, $-55^{\circ}\text{C} \leq T_c \leq +125^{\circ}\text{C}$

PARAMETER	SYM	CONDITIONS (P ≤ P _{MAX})	MIN	MAX	UNITS
Reference Voltage <u>2/ 3/</u>	VREF	$1.5\text{V} \leq V_{IN} - V_{OUT} \leq 15\text{V}$, $10\text{mA} \leq I_{OUT} \leq 1.0\text{A}$	1.210	1.275	V
Line Regulation <u>2/ 3/</u>	$\frac{\Delta V_{OUT}}{\Delta V_{IN}}$	$I_{LOAD} = 10\text{mA}$, $1.5\text{V} \leq V_{IN} - V_{OUT} \leq 15\text{V}$	-	0.25	%
Load Regulation <u>2/ 3/</u>	$\frac{\Delta V_{OUT}}{\Delta I_{OUT}}$	$10\text{mA} \leq I_{OUT} \leq 1.0\text{A}$, $V_{IN} - V_{OUT} = 3\text{V}$	-	0.3	%
Dropout Voltage <u>2/ 4/</u>	VDROP	$\Delta V_{REF} = 1\%$, $I_{OUT} = 1.0\text{A}$	-	1.30	V
Adjust Pin Current <u>2/</u>	-		-	120	μA
Adjust Pin Current Change <u>2/</u>	-	$10\text{mA} \leq I_{OUT} \leq 1\text{A}$, $1.5\text{V} \leq V_{IN} - V_{OUT} \leq 15\text{V}$	-	5	μA
Current Limit <u>2/ 6/</u>	IMAX	$V_{IN} - V_{OUT} = 5\text{V}$ $V_{IN} - V_{OUT} \leq 25\text{V}$	1.5 0.047	- -	A A
Minimum Load Current <u>5/</u>	IMIN	$V_{IN} - V_{OUT} = 25\text{V}$	-	10	mA
Ripple Rejection <u>3/</u>	-	$I_{OUT} = 1.0\text{A}$, $V_{IN} - V_{OUT} = 3\text{V}$, $f = 120\text{Hz}$, $C_{ADJ} = C_{OUT} = 25\mu\text{F}$	60	-	dB
Thermal Regulation	-	30ms pulse, $T_c = +25^{\circ}\text{C}$	-	0.04	%/W
VREF Long-Term Stability <u>5/</u>	-	Burn In: $T_c = +125^{\circ}\text{C}$ @ 1000hrs minimum, tested @ 25°C	-	0.3	%

Notes:

1/ For Compliance with MIL-STD-883 Rev. C current density specification, the RH1086MK is derated to 1.0 Amp but is capable of 1.5Amps.

2/ Specification derated to reflect Total Dose exposure to 100Krad (Si) @ $+25^{\circ}\text{C}$.

3/ Line and load regulation are guaranteed up to the maximum power dissipation of 15W. Power dissipation is determined by the input/output differential voltage and the output current. Guaranteed maximum power dissipation will not be available over the full input/output voltage range.

4/ Dropout voltage is specified over the full output current range of the device.

5/ Not tested. Shall be guaranteed by design, characterization, or correlation to other tested parameters.

6/ Pulsed @ <10% duty cycle @ $+25^{\circ}\text{C}$ (See Note 1).

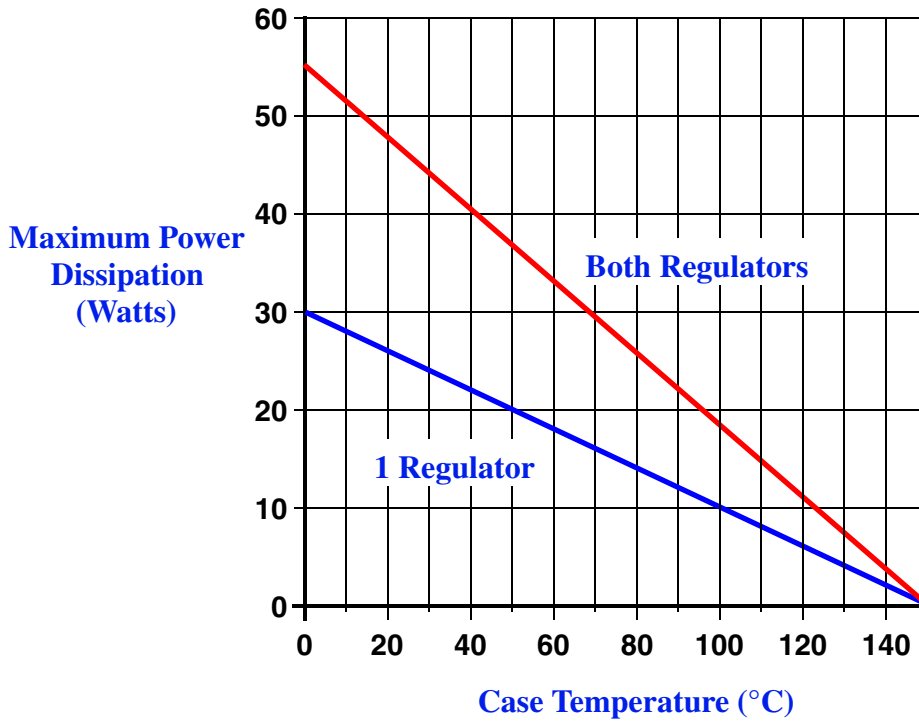


FIGURE 2 – MAXIMUM POWER vs CASE TEMPERATURE

The maximum Power dissipation is limited by the thermal shutdown function of each regulator chip in the VG8657/8658. The graph above represents the achievable power before the chip shuts down. The first line in the graph represents the maximum power dissipation of the VG8657/8658 with one regulator on (the other off) and the other line represents both regulators on dissipating equal power. If both regulators are on and one regulator is dissipating more power than the other, the maximum power dissipation of the VG8657/8658 will fall between the two lines. This graph is based on the maximum junction temperature of 150°C and a thermal resistance (Θ_{JC}) of 5°C/W.

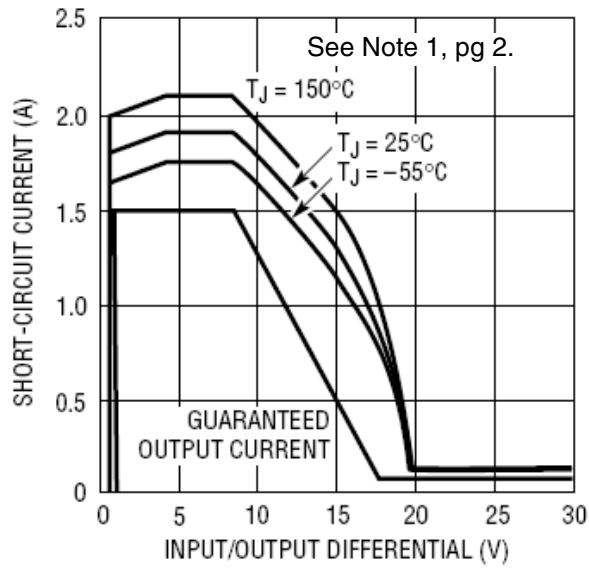


FIGURE 3 – RH1086 SHORT CIRCUIT CURRENT

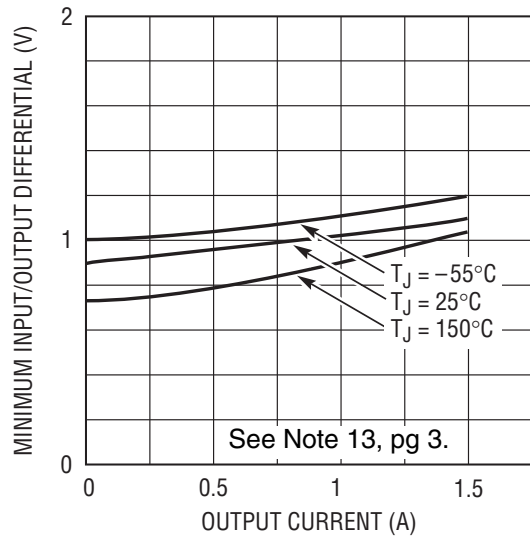


FIGURE 4 – RH1086 DROPOUT VOLTAGE TYPICAL CURVE

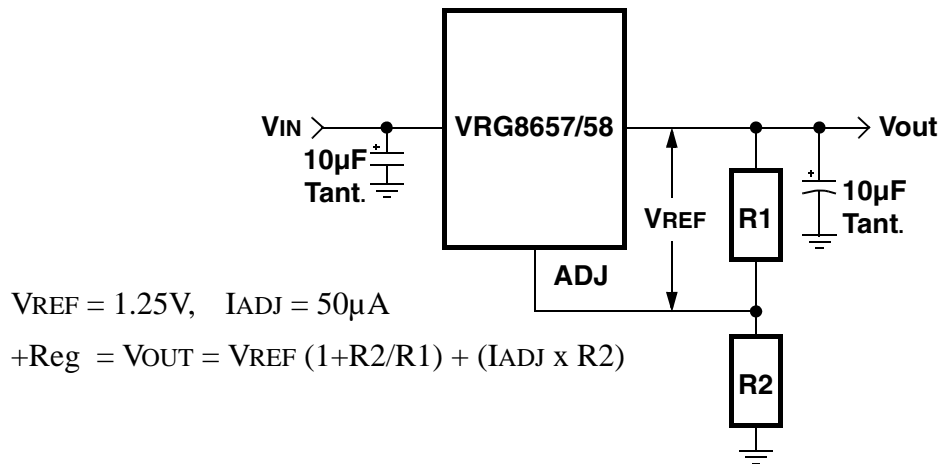
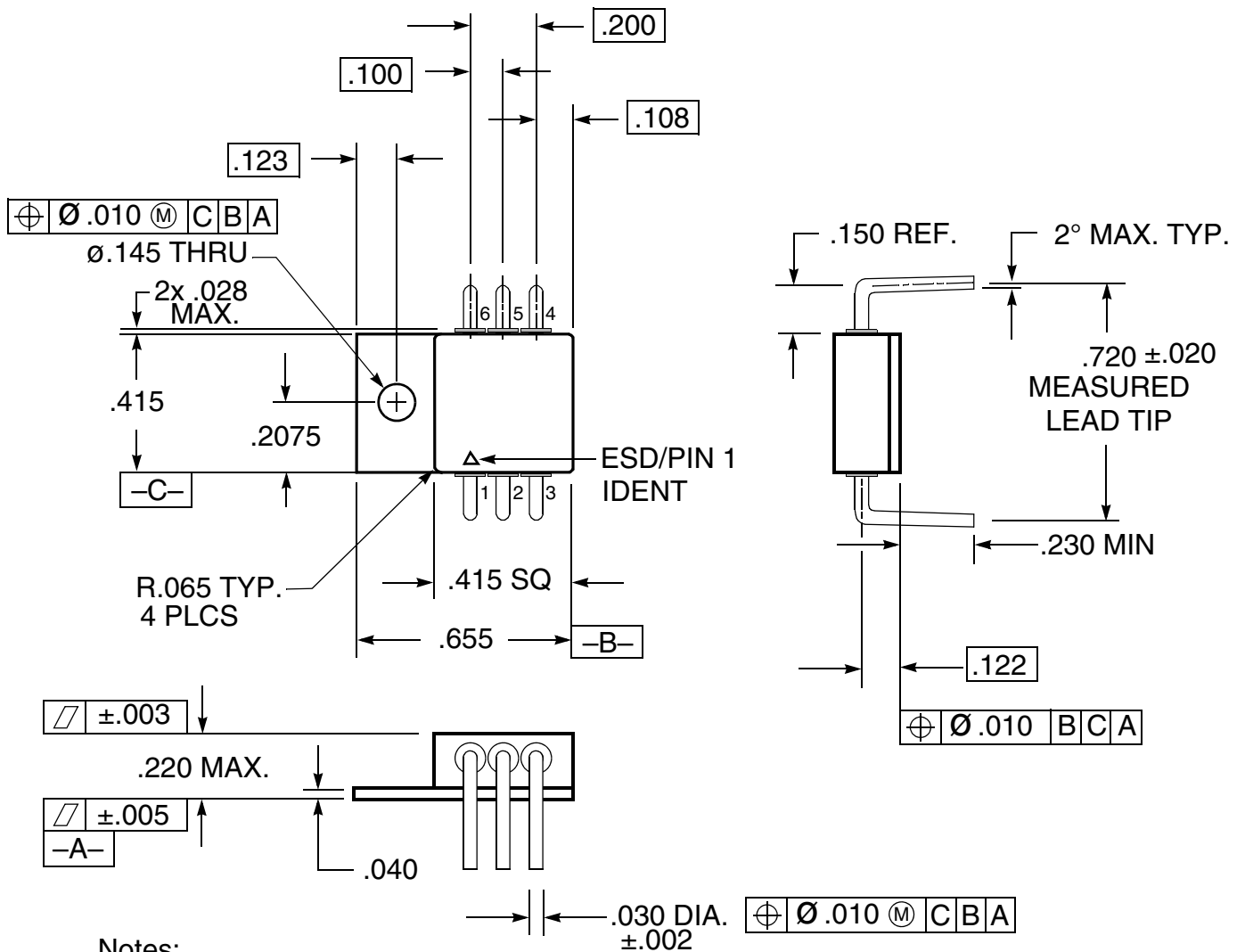


FIGURE 5 – BASIC RH1086 ADJUSTABLE REGULATOR APPLICATION

TABLE I – PIN NUMBERS vs FUNCTION

PIN	FUNCTION
1	POS_ADJ_1
2	POS_VOUT_1
3	POS_VIN_1
4	POS_ADJ_2
5	POS_VIN_2
6	POS_VOUT_2



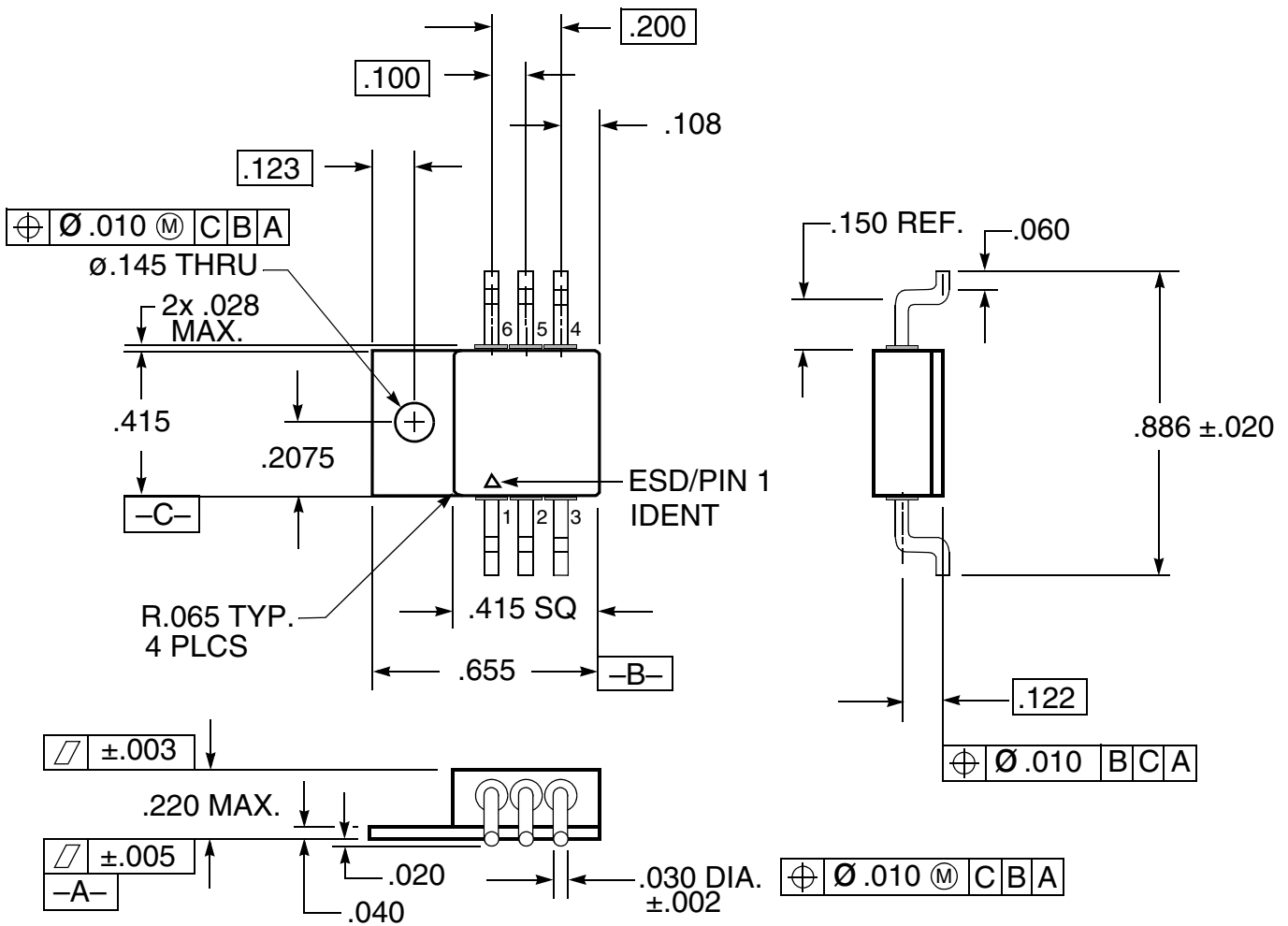
Notes:

1. Dimension Tolerance: $\pm .005$ inches
2. Package contains BeO substrate
3. Case electrically isolated

FIGURE 6 – PACKAGE OUTLINE — THRU-HOLE POWER PACKAGE

TABLE II – PIN NUMBERS vs FUNCTION

PIN	FUNCTION
1	POS_ADJ_1
2	POS_VOUT_1
3	POS_VIN_1
4	POS_ADJ_2
5	POS_VIN_2
6	POS_VOUT_2



Notes:

1. Dimension Tolerance: $\pm .005$ inches
2. Package contains BeO substrate
3. Case electrically isolated

FIGURE 7 – PACKAGE OUTLINE — SURFACE MOUNT POWER PACKAGE

ORDERING INFORMATION

MODEL	DSCC SMD #	SCREENING	PACKAGE
VRG8657-S		Military Temperature, -55°C to +125°C Screened in accordance with MIL-PRF-38534, Class K.	6 Lead Thru-Hole Power Pkg
VRG8657-7		Commercial Flow, +25°C testing only	
VRG8658-S		Military Temperature, -55°C to +125°C Screened in accordance with MIL-PRF-38534, Class K	6 Lead Surface Mount Power Pkg
VRG8658-7		Commercial Flow, +25°C testing only	
VRG8657-201-1S VRG8657-201-2S	5962-0920102KXC 5962-0920102KXA	In accordance with DSCC SMD	6 Lead Thru-Hole Power Pkg
VRG8658-201-1S VRG8658-201-2S	5962-0920102KYC 5962-0920102KYA		6 Lead Surface Mount Power Pkg

EXPORT CONTROL:

This product is controlled for export under the International Traffic in Arms Regulations (ITAR). A license from the U.S. Department of State is required prior to the export of this product from the United States.

EXPORT WARNING:

Aeroflex's military and space products are controlled for export under the International Traffic in Arms Regulations (ITAR) and may not be sold or proposed or offered for sale to certain countries. (See ITAR 126.1 for complete information.)

PLAINVIEW, NEW YORK

Toll Free: 800-THE-1553
Fax: 516-694-6715

INTERNATIONAL

Tel: 805-778-9229
Fax: 805-778-1980

NORTHEAST

Tel: 603-888-3975
Fax: 603-888-4585

SE AND MID-ATLANTIC

Tel: 321-951-4164
Fax: 321-951-4254

WEST COAST

Tel: 949-362-2260
Fax: 949-362-2266

CENTRAL

Tel: 719-594-8017
Fax: 719-594-8468



www.aeroflex.com info-ams@aeroflex.com

Aeroflex Microelectronic Solutions reserves the right to change at any time without notice the specifications, design, function, or form of its products described herein. All parameters must be validated for each customer's application by engineering. No liability is assumed as a result of use of this product. No patent licenses are implied.



and the Linear Technology logo are registered trademarks and RH1086 are a copyright of Linear Technology Corporation.



Our passion for performance is defined by three attributes represented by these three icons: solution-minded, performance-driven and customer-focused