

## **DM54LS196, DM74LS196, DM54LS197, DM74LS197**

### *Presetable Decade and Binary Counters*

These high-speed counters consists of four d-c coupled, master-slave flip-flops which are internally interconnected to provide either a divide-by-two and a divide-by-five counter (196) or a divide-by-two and a divide-by-eight counter (197). These counters are fully programmable; that is, the outputs may be preset to any state by placing a low on the count/load input and entering the desired data at the data inputs. The outputs will change independent of the state of the clocks.

During the count operation, transfer of information to the outputs occurs on the negative-going edge of the clock pulse. These counters feature a direct clear which, when taken low, sets all outputs low regardless of the state of the clocks.

---

### **Rochester Electronics Manufactured Components**

Rochester branded components are manufactured using either die/wafers purchased from the original suppliers or Rochester wafers recreated from the original IP. All recreations are done with the approval of the OCM.

Parts are tested using original factory test programs or Rochester developed test solutions to guarantee product meets or exceeds the OCM data sheet.

### **Quality Overview**

- ISO-9001
- AS9120 certification
- Qualified Manufacturers List (QML) MIL-PRF-38535
  - Class Q Military
  - Class V Space Level
- Qualified Suppliers List of Distributors (QSLD)
  - Rochester is a critical supplier to DLA and meets all industry and DLA standards.

Rochester Electronics, LLC is committed to supplying products that satisfy customer expectations for quality and are equal to those originally supplied by industry manufacturers.

---

*The original manufacturer's datasheet accompanying this document reflects the performance and specifications of the Rochester manufactured version of this device. Rochester Electronics guarantees the performance of its semiconductor products to the original OEM specifications. 'Typical' values are for reference purposes only. Certain minimum or maximum ratings may be based on product characterization, design, simulation, or sample testing.*



# National Semiconductor

## DM54LS196/DM74LS196, DM54LS197/DM74LS197 Presetable Decade and Binary Counters

### General Description

These high-speed counters consist of four d-c coupled, master-slave flip-flops which are internally interconnected to provide either a divide-by-two and a divide-by-five counter (196) or a divide-by-two and a divide-by-eight counter (197). These counters are fully programmable; that is, the outputs may be preset to any state by placing a low on the count/load input and entering the desired data at the data inputs. The outputs will change independent of the state of the clocks.

During the count operation, transfer of information to the outputs occurs on the negative-going edge of the clock pulse. These counters feature a direct clear which, when taken low, sets all outputs low regardless of the state of the clocks.

These counters may also be used as 4-bit latches by using the count/load input as the strobe and entering data at the data inputs. The outputs will directly follow the data inputs when the count/load is low, but will remain unchanged when the count/load is high and the clock inputs are inactive.

### TYPICAL COUNT CONFIGURATIONS LS196

The output of flip-flop A is not internally connected to the succeeding flip-flops; therefore, the count may be operated in three independent modes:

1. When used as a BCD decade counter, the clock-2 input must be externally connected to the  $Q_A$  output. The clock-1 input receives the incoming count, and a count sequence is obtained in accordance with the BCD count sequence truth table.
2. If a symmetrical divide-by-ten count is desired for frequency synthesizers (or other applications requiring division of a binary count by a power of ten), the  $Q_D$  output must be externally connected to the clock-1 input. The input count is then applied at the clock-2 input and a divide-by-ten square wave is obtained at output  $Q_A$  in accordance with the bi-quinary truth table.
3. For operation as a divide-by-two counter and a divide-by-five counter, no external interconnections are required. Flip-flop A is used as a binary element for the divide-by-two function. The clock-2 input is used to obtain binary divide-by-five operation at the  $Q_B$ ,  $Q_C$ ,

and  $Q_D$  outputs. In this mode, the two counters operate independently; however, all four flip-flops are loaded and cleared simultaneously.

### LS197

The output of flip-flop A is not internally connected to the succeeding flip-flops; therefore the counter may be operated in two independent modes:

1. When used as a high-speed 4-bit ripple-through counter, output  $Q_A$  must be externally connected to the clock-2 input. The input count pulses are applied to the clock-1 input. Simultaneous divisions by 2, 4, 8, and 16 are performed at the  $Q_A$ ,  $Q_B$ ,  $Q_C$ , and  $Q_D$  outputs as shown in the truth table.
2. When used as a 3-bit ripple-through counter, the input count pulses are applied to the clock-2 input. Simultaneous frequency divisions by 2, 4, and 8 are available at the  $Q_B$ ,  $Q_C$ , and  $Q_D$  outputs. Independent use of flip-flop A is available if the load and clear functions coincide with those of the 3-bit ripple-through counter.

### Features

- Performs BCD, bi-quinary, or binary counting
- Fully programmable
- Fully independent clear input
- Output  $Q_A$  maintains full fan-out capability in addition to driving clock-2 input
- Typical count frequency  
Clock 1 40 MHz  
Clock 2 20 MHz
- Typical power dissipation 80 mW

### Absolute Maximum Ratings (Note 1)

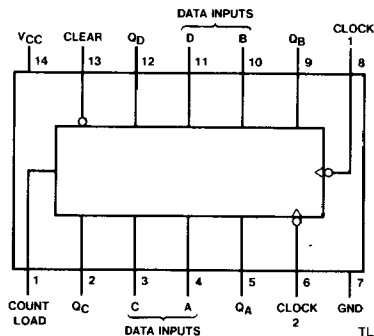
Supply Voltage	7V
Input Voltage	5.5V
Storage Temperature Range	-65°C to 150°C

**Note 1:** The "Absolute Maximum Ratings" are those values beyond which the safety of the device cannot be guaranteed. The device should not be operated at these limits. The parametric values defined in the "Electrical Characteristics" table are not guaranteed at the absolute maximum ratings. The "Recommended Operating Conditions" table will define the conditions for actual device operation.

### Connection Diagram (Dual-In-Line Package)

54LS196 (J)      74LS196 (N)  
54LS197 (J)      74LS197 (N)

Note: Low input to clear sets  $Q_A$ ,  $Q_B$ ,  $Q_C$  and  $Q_D$  low.



## Recommended Operating Conditions

Symbol	Parameter *	DM54LS196			DM74LS196			Units
		Min	Nom	Max	Min	Nom	Max	
V <sub>CC</sub>	Supply Voltage	4.5	5	5.5	4.75	5	5.25	V
V <sub>IH</sub>	High Level Input Voltage	2			2			V
V <sub>IL</sub>	Low Level Input Voltage			0.7			0.8	V
I <sub>OH</sub>	High Level Output Current			-0.4			-0.4	mA
I <sub>OL</sub>	Low Level Output Current			4			8	mA
f <sub>CLK</sub>	Clock Frequency (Note 2)	0		30	0		30	MHz
	Clock Frequency (Note 3)	0		20	0		20	MHz
t <sub>w</sub>	Pulse Width	Clock 1	20		20			ns
		Clock 2	30		30			
		Clear	15		15			
		Load	20		20			
t <sub>SU</sub>	Setup Time (Note 1)	Data High	8†		8†			ns
		Data Low	12†		12†			
t <sub>H</sub>	Hold Time (Note 1)	Data High	0†		0†			ns
		Data Low	6†		6†			
t <sub>EN</sub>	Count Enable Time (Note 4)	30			30			ns
T <sub>A</sub>	Free Air Operating Temperature	-55		125	0		70	°C

**Note 1:** The symbol (†) indicates the rising edge of the clock pulse is used for reference.

**Note 2:** C<sub>L</sub> = 15 pF and R<sub>L</sub> = 2 kΩ.

**Note 3:** C<sub>L</sub> = 50 pF and R<sub>L</sub> = 2 kΩ.

**Note 4:** Count enable time is the interval immediately preceding the negative-going edge of the clock pulse during which the COUNT/LOAD and CLEAR inputs must both be high to ensure counting.

**'LS196 Electrical Characteristics**

over recommended operating free air temperature (unless otherwise noted)

Symbol	Parameter	Conditions	Min	Typ (Note 1)	Max	Units	
$V_I$	Input Clamp Voltage	$V_{CC} = \text{Min}$ , $I_I = -18 \text{ mA}$			-1.5	V	
$V_{OH}$	High Level Output Voltage	$V_{CC} = \text{Min}$ $I_{OH} = \text{Max}$ $V_{IL} = \text{Max}$ $V_{IH} = \text{Min}$	DM54	2.5	3.4		V
			DM74	2.7	3.4		
$V_{OL}$	Low Level Output Voltage	$V_{CC} = \text{Min}$ $I_{OL} = \text{Max}$ $V_{IL} = \text{Max}$ $V_{IH} = \text{Min}$ (Note 4)	DM54		0.25	0.4	V
			DM74		0.35	0.5	
			$I_{OL} = 4 \text{ mA}$ $V_{CC} = \text{Min}$	DM74		0.25	
$I_I$	Input Current @ Max Input Voltage	$V_{CC} = \text{Max}$ $V_I = 5.5 \text{ V}$	Clock 1			0.2	mA
			Clock 2			0.4	
			Clear			0.2	
			Others			0.1	
$I_{IH}$	High Level Input Current	$V_{CC} = \text{Max}$ $V_I = 2.7 \text{ V}$	Clock 1			40	$\mu\text{A}$
			Clock 2			80	
			Clear			40	
			Others			20	
$I_{IL}$	Low Level Input Current	$V_{CC} = \text{Max}$ $V_I = 0.4 \text{ V}$	Clock 1			-2.4	mA
			Clock 2			-2.8	
			Clear			-0.8	
			Others			-0.4	
$I_{OS}$	Short Circuit Output Current	$V_{CC} = \text{Max}$ (Note 2)	DM54	-20		-100	mA
			DM74	-20		-100	
$I_{CC}$	Supply Current	$V_{CC} = \text{Max}$ (Note 3)		16	27	mA	

**Note 1:** All typicals are at  $V_{CC} = 5 \text{ V}$ ,  $T_A = 25^\circ\text{C}$ .**Note 2:** Not more than one output should be shorted at a time, and the duration should not exceed one second.**Note 3:**  $I_{CC}$  is measured with all inputs grounded and all outputs open.**Note 4:**  $Q_A$  outputs are tested at  $I_{OL} = \text{Max}$  plus the limit value of  $I_{IL}$  for the CLOCK 2 input. This permits driving the CLOCK 2 input while maintaining full fan-out capability.

## 'LS196 Switching Characteristics

at  $V_{CC} = 5V$  and  $T_A = 25^\circ C$  (See Section 1 for Test Waveforms and Output Load)

Parameter	From (Input) To (Output)	$R_L = 2\ k\Omega$						Units
		$C_L = 15\ pF$			$C_L = 50\ pF$			
		Min	Typ	Max	Min	Typ	Max	
$f_{MAX}$ Maximum Clock Frequency	Clock 1 to $Q_A$	30	40		20	30		MHz
$t_{PLH}$ Propagation Delay Time Low to High Level Output	Clock 1 to $Q_A$		8	15		11	20	ns
$t_{PHL}$ Propagation Delay Time High to Low Level Output	Clock 1 to $Q_A$		13	20		20	30	ns
$t_{PLH}$ Propagation Delay Time Low to High Level Output	Clock 2 to $Q_B$		10	24		19	29	ns
$t_{PHL}$ Propagation Delay Time High to Low Level Output	Clock 2 to $Q_B$		22	33		28	42	ns
$t_{PLH}$ Propagation Delay Time Low to High Level Output	Clock 2 to $Q_C$		22	57		45	68	ns
$t_{PHL}$ Propagation Delay Time High to Low Level Output	Clock 2 to $Q_C$		22	62		48	72	ns
$t_{PLH}$ Propagation Delay Time Low to High Level Output	Clock 2 to $Q_D$		12	18		15	23	ns
$t_{PHL}$ Propagation Delay Time High to Low Level Output	Clock 2 to $Q_D$		12	45		36	54	ns
$t_{PLH}$ Propagation Delay Time Low to High Level Output	Data to Any Q		11	30		23	35	ns
$t_{PHL}$ Propagation Delay Time High to Low Level Output	Data to Any Q		29	44		35	53	ns
$t_{PLH}$ Propagation Delay Time Low to High Level Output	Load to Any Q		27	41		30	45	ns
$t_{PHL}$ Propagation Delay Time High to Low Level Output	Load to Any Q		30	45		36	54	ns
$t_{PHL}$ Propagation Delay Time High to Low Level Output	Clear to Any Q		29	51		40	60	ns

## Recommended Operating Conditions

Symbol	Parameter	DM54LS197			DM74LS197			Units
		Min	Nom	Max	Min	Nom	Max	
$V_{CC}$	Supply Voltage	4.5	5	5.5	4.75	5	5.25	V
$V_{IH}$	High Level Input Voltage	2			2			V
$V_{IL}$	Low Level Input Voltage			0.7			0.8	V
$I_{OH}$	High Level Output Current			-0.4			-0.4	mA
$I_{OL}$	Low Level Output Current			4			8	mA
$f_{CLK}$	Clock Frequency (Note 2)	0		30	0		30	MHz
	Clock Frequency (Note 3)	0		20	0		20	MHz
$t_w$	Pulse Width	Clock 1	20		20			ns
		Clock 2	30		30			
		Clear	15		15			
		Load	20		20			
$t_{SU}$	Setup Time (Note 1)	Data High	8†		8†		ns	
		Data Low	12†		12†			
$t_H$	Hold Time (Note 1)	Data High	0†		0†		ns	
		Data Low	6†		6†			
$t_{EN}$	Count Enable Time (Note 4)	30			30		ns	
$T_A$	Free Air Operating Temperature	-55		125	0		70	°C

**Note 1:** The symbol (†) indicates the rising edge of the clock pulse is used for reference.

**Note 2:**  $C_L = 15$  pF and  $R_L = 2$  k $\Omega$ .

**Note 3:**  $C_L = 50$  pF and  $R_L = 2$  k $\Omega$ .

**Note 4:** Count enable time is the interval immediately preceding the negative-going edge of the clock pulse during which the COUNT/LOAD and CLEAR inputs must both be high to ensure counting.

## 'LS197 Electrical Characteristics

over recommended operating free air temperature (unless otherwise noted)

Symbol	Parameter	Conditions	Min	Typ (Note 1)	Max	Units	
$V_I$	Input Clamp Voltage	$V_{CC} = \text{Min}, I_I = -18 \text{ mA}$			-1.5	V	
$V_{OH}$	High Level Output Voltage	$V_{CC} = \text{Min}$ $I_{OH} = \text{Max}$ $V_{IL} = \text{Max}$ $V_{IH} = \text{Min}$	DM54	2.5	3.4	V	
			DM74	2.7	3.4		
$V_{OL}$	Low Level Output Voltage	$V_{CC} = \text{Min}$ $I_{OL} = \text{Max}$ $V_{IL} = \text{Max}$ $V_{IH} = \text{Min}$ (Note 4)	DM54		0.25	0.4	V
			DM74		0.35	0.5	
			$I_{OL} = 4 \text{ mA}$ $V_{CC} = \text{Min}$	DM74		0.25	
$I_I$	Input Current @ Max Input Voltage	$V_{CC} = \text{Max}$ $V_I = 7\text{V}$	Clock 1			0.2	mA
			Clock 2			0.2	
			Clear			0.2	
			Others			0.1	
$I_{IH}$	High Level Input Current	$V_{CC} = \text{Max}$ $V_I = 2.7\text{V}$	Clock 1			40	$\mu\text{A}$
			Clock 2			40	
			Clear			40	
			Others			20	
$I_{IL}$	Low Level Input Current	$V_{CC} = \text{Max}$ $V_I = 0.4\text{V}$	Clock 1			-2.4	mA
			Clock 2			-1.3	
			Clear			-0.8	
			Others			-0.4	
$I_{OS}$	Short Circuit Output Current	$V_{CC} = \text{Max}$ (Note 2)	DM54	-20		-100	mA
			DM74	-20		-100	
$I_{CC}$	Supply Current	$V_{CC} = \text{Max}$ (Note 3)		16	27	mA	

**Note 1:** All typicals are at  $V_{CC} = 5\text{V}$ ,  $T_A = 25^\circ\text{C}$ .

**Note 2:** Not more than one output should be shorted at a time, and the duration should not exceed one second.

**Note 3:**  $I_{CC}$  is measured with all inputs grounded and all outputs open.

**Note 4:**  $Q_A$  outputs are tested at  $I_{OL} = \text{Max}$  plus the limit value of  $I_{IL}$  for the CLOCK 2 input. This permits driving the CLOCK 2 input while maintaining full fan-out capability.

**'LS197 Switching Characteristics**at  $V_{CC} = 5V$  and  $T_A = 25^\circ C$  (See Section 1 for Test Waveforms and Output Load)

Parameter	From (Input) To (Output)	$R_L = 2\text{ k}\Omega$						Units
		$C_L = 15\text{ pF}$			$C_L = 50\text{ pF}$			
		Min	Typ	Max	Min	Typ	Max	
$f_{MAX}$ Maximum Clock Frequency	Clock 1 to $Q_A$	30	40		20	30		MHz
$t_{PLH}$ Propagation Delay Time Low to High Level Output	Clock 1 to $Q_A$		8	15		11	20	ns
$t_{PHL}$ Propagation Delay Time High to Low Level Output	Clock 1 to $Q_A$		14	21		20	30	ns
$t_{PLH}$ Propagation Delay Time Low to High Level Output	Clock 2 to $Q_B$		12	19		15	23	ns
$t_{PHL}$ Propagation Delay Time High to Low Level Output	Clock 2 to $Q_B$		15	35		29	44	ns
$t_{PLH}$ Propagation Delay Time Low to High Level Output	Clock 2 to $Q_C$		22	51		40	60	ns
$t_{PHL}$ Propagation Delay Time High to Low Level Output	Clock 2 to $Q_C$		25	63		50	75	ns
$t_{PLH}$ Propagation Delay Time Low to High Level Output	Clock 2 to $Q_D$		30	78		65	98	ns
$t_{PHL}$ Propagation Delay Time High to Low Level Output	Clock 2 to $Q_D$		35	95		71	106	ns
$t_{PLH}$ Propagation Delay Time Low to High Level Output	Data to Any Q		15	27		21	32	ns
$t_{PHL}$ Propagation Delay Time High to Low Level Output	Data to Any Q		29	44		35	53	ns
$t_{PLH}$ Propagation Delay Time Low to High Level Output	Load to Any Q		20	39		29	45	ns
$t_{PHL}$ Propagation Delay Time High to Low Level Output	Load to Any Q		30	45		36	54	ns
$t_{PHL}$ Propagation Delay Time High to Low Level Output	Clear to Any Q		29	51		40	60	ns

## Function Tables

**LS196**  
Decade (BCD)  
(See Note A)

Count	Output			
	Q <sub>D</sub>	Q <sub>C</sub>	Q <sub>B</sub>	Q <sub>A</sub>
0	L	L	L	L
1	L	L	L	H
2	L	L	H	L
3	L	L	H	H
4	L	H	L	L
5	L	H	L	H
6	L	H	H	L
7	L	H	H	H
8	H	L	L	L
9	H	L	L	H

**LS196**  
(See Note B)

Count	Output			
	Q <sub>A</sub>	Q <sub>D</sub>	Q <sub>C</sub>	Q <sub>B</sub>
0	L	L	L	L
1	L	L	L	H
2	L	L	H	L
3	L	L	H	H
4	L	H	L	L
5	H	L	L	L
6	H	L	L	H
7	H	L	H	L
8	H	L	H	H
9	H	H	L	L

**LS197**  
(See Note A)

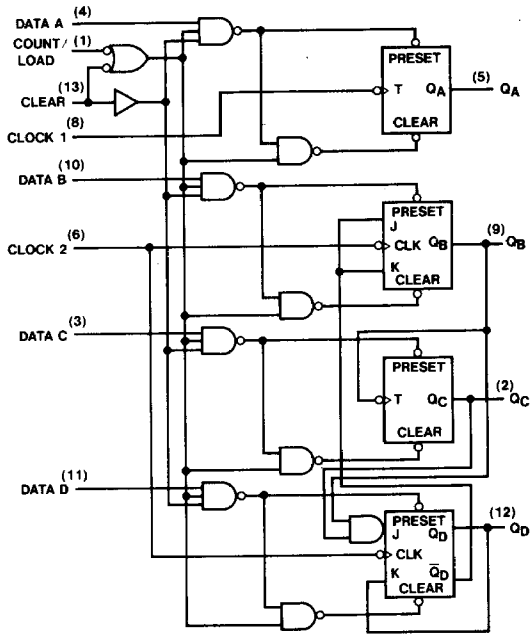
Count	Output			
	Q <sub>D</sub>	Q <sub>C</sub>	Q <sub>B</sub>	Q <sub>A</sub>
0	L	L	L	L
1	L	L	L	H
2	L	L	H	L
3	L	L	H	H
4	L	H	L	L
5	L	H	L	H
6	L	H	H	L
7	L	H	H	H
8	H	L	L	L
9	H	L	L	H
10	H	L	H	L
11	H	L	H	H
12	H	H	L	L
13	H	H	L	H
14	H	H	H	L
15	H	H	H	H

H = High Level, L = Low Level

Note A: Output Q<sub>A</sub> connected to clock-2 input.  
Note B: Output Q<sub>D</sub> connected to clock-1 input.

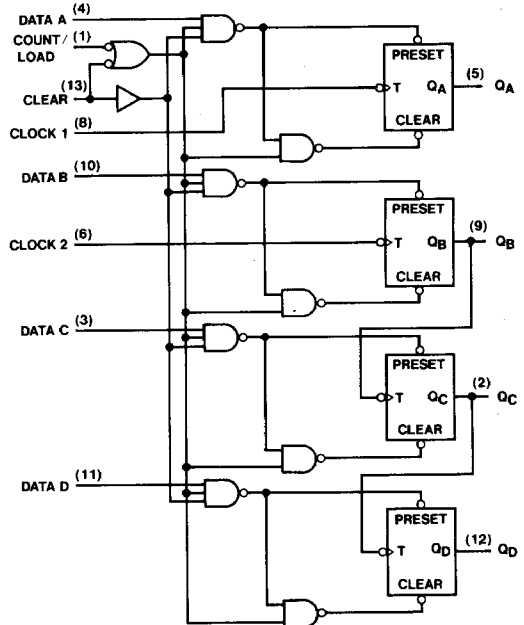
## Logic Diagrams

**LS196**



TL/F/6409-2

**LS197**



TL/F/6409-3