



Helping Customers Innovate, Improve & Grow



VX-401

Features

- AT-Cut Crystal
- Surface Mount FR4 based package
- Reflow Process Compatible
- Low Phase Noise
- Tight Stabilities
- Frequency Range 100 - 800MHz
- Standard Frequencies 100; 112; 122.88; 125; 134.4; 153.6; 155.52;
- 160; 179.2; 184.32; 245.76; 307.2; 312.5;
- 320; 368.64; 400; 448; 471.8592; 491.52;
- 622.08; 672; 737.28; 800MHz
- Previous Model Number: C5430

Applications

- Base Stations
- Test Equipment
- Synthesizers
- Switching
- Military

Performance Specifications

Frequency Stabilities ¹					
Parameter	Min	Typical	Max	Units	Condition
vs. operating temperature range (referenced to +25°C)	-30		+30	ppm	-40 to +85°C
Initial tolerance	-15		+15	ppm	@V _c =V _s /2 V _s ±5% Load ±10%
vs. supply voltage change	-3		+3	ppm	
vs. load change	-2		+2	ppm	
vs. aging / 1 Year	-3		+3	ppm	
vs. aging (following years)	-1		+1	ppm	

Performance Specifications

Supply Voltage (Vs)						
Parameter	Min	Typical	Max	Units	Condition	
Supply voltage (standard)	3.135	3.3	3.465	VDC		Options
Current consumption			90	mA	@ PECL, LVDS	
Supply voltage	4.75	5	5.25	VDC		
Current consumption			80	mA	@ PECL, LVDS	
RF Output						
Signal	PECL					
Load		50		Ω		
Rise and Fall time			1	ns	20 to 80%	
Duty cycle	45		55	%		
Signal	LVDS					
Load		100		Ω		
Rise and Fall time			1	ns	10 to 90%	
Duty cycle	40		60	%		
Frequency Tuning (EFC)						
Tuning Range	± 75.0	± 90	± 200.0			
Linearity	10 %					
Tuning Slope	Positive					
Control Voltage Range	0 0.5	1.65 2.5	3.3 4.5	VDC VDC	with Vs = 3.3V with Vs = 5V	
Frequency Control Input Impedance	10			k Ω		
Additional Parameters						
Phase Noise		-77 -111 -139 -145 -146		dBc/Hz dBc/Hz dBc/Hz dBc/Hz dBc/Hz	10 Hz 100 Hz 1 kHz 10 kHz 100 kHz	@ 160 MHz LVPECL 3.3V
Jitter		0.24		ps RMS	@ 12kHz .. 20MHz	
Phase Noise		-62 -93 -119 -140 -148		dBc/Hz dBc/Hz dBc/Hz dBc/Hz dBc/Hz	10 Hz 100 Hz 1 kHz 10 kHz 100 kHz	@ 448 MHz LVPECL 3.3V
Jitter		0.07		ps RMS	@ 12kHz .. 20MHz	

Performance Specifications

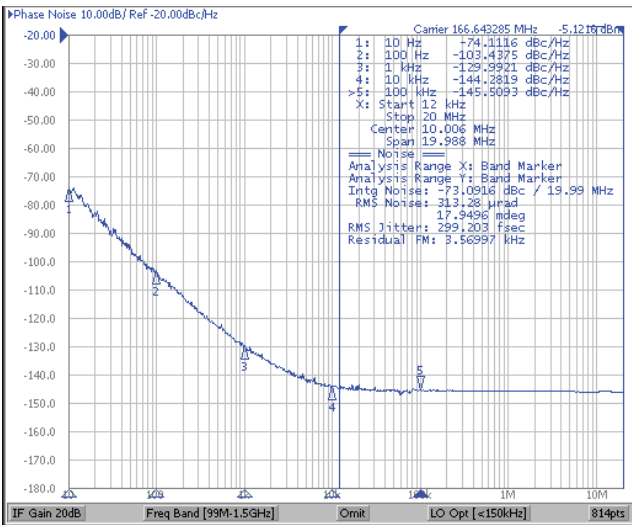
Additional Parameters

Subharmonics		-40	dBc	
Weight		2.0 g		
Processing & Packing	Handling & Processing Note			
Absolute Maximum Ratings				
Supply voltage (Vs)		6.0	V	
Operable Temperature Range	-40	+85	°C	
Storage Temperature Range	-55	+125	°C	

Typical Phase Noise and Jitter

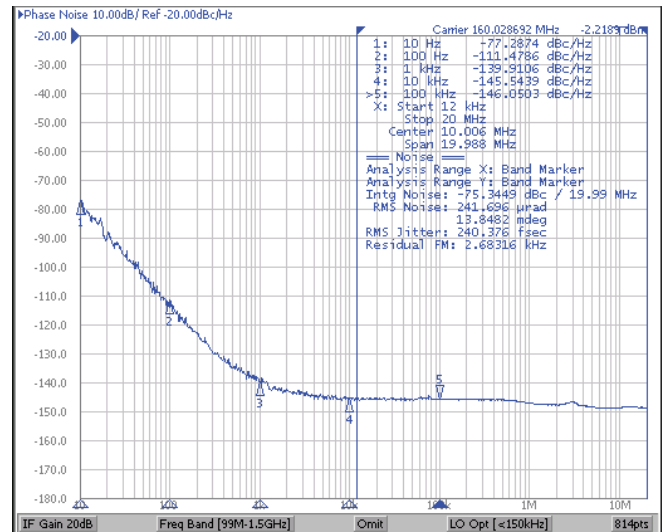
Phase Noise

VX-401 @ 166.628571 MHz LVPECL



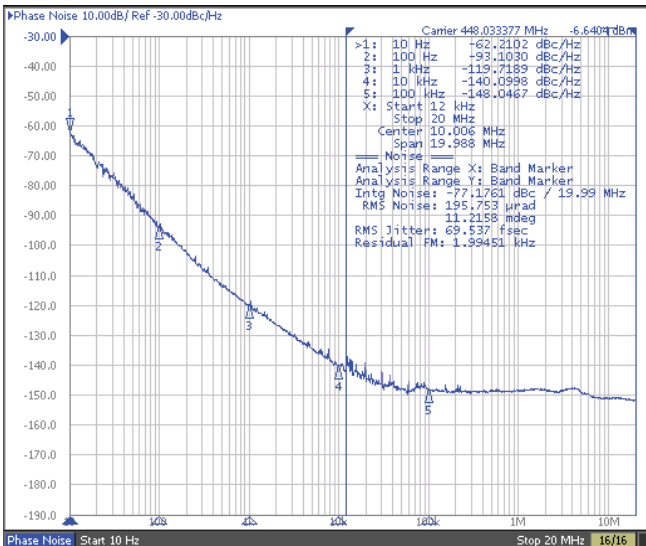
Phase Noise

VX-401 @ 160 MHz LVPECL



Phase Noise

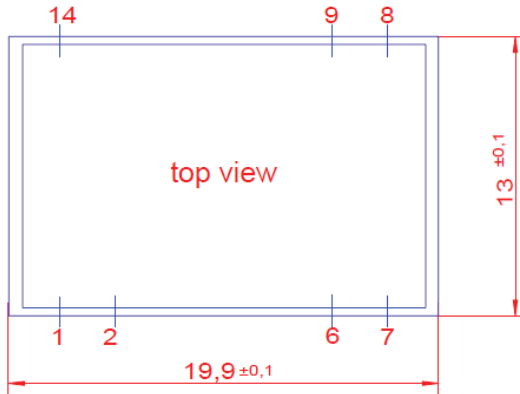
VX-401 @ 448 MHz LVPECL



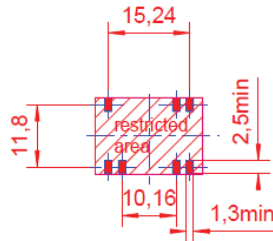
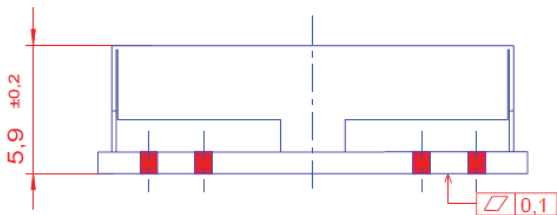
Enclosure

Package Codes

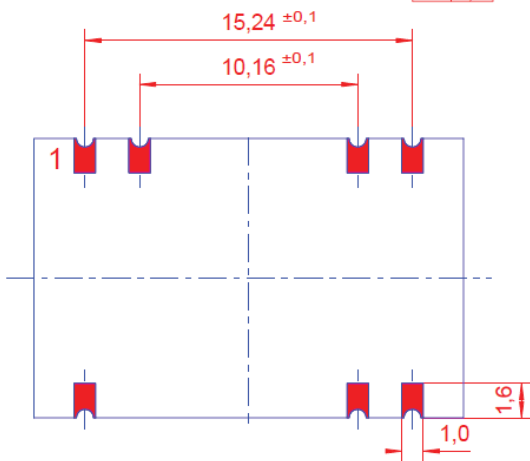
Type	Height "H"	Pin Length "L"
G212	5.9	NA



G 212



Padvorschlag
land pattern
recommendation



Marking

VX-401-xxxx
Frequency 1 / Frequency 2
● AYYWW

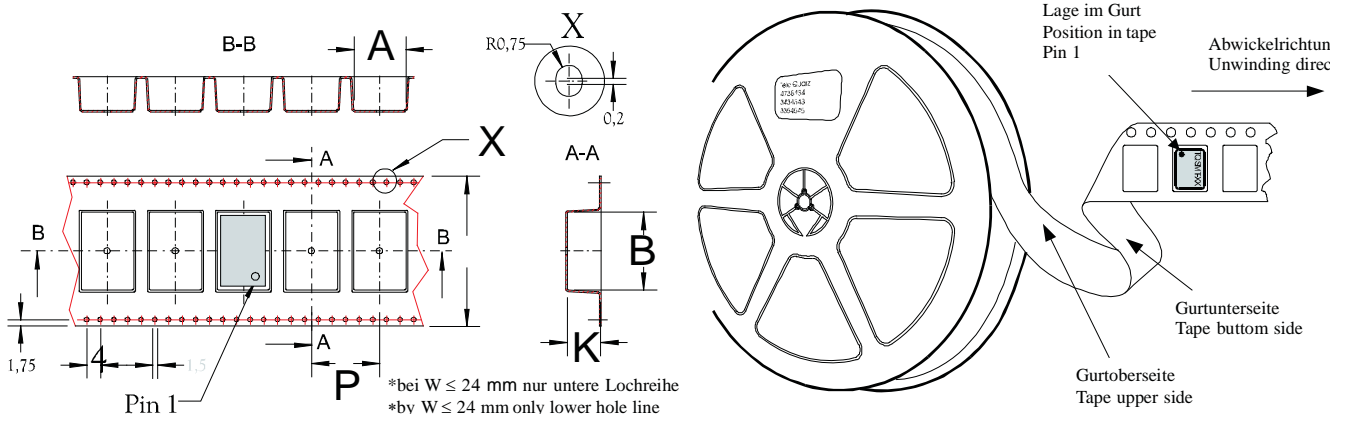
Pin Connections

1	Control Voltage (Vc)
2	Frequency Select Low: Frequency 1 / High: Frequency 2
6	Enable
7	GND
8	RF Output
9	RF Output complementary
14	Supply Voltage Input (Vs)

Enable true table

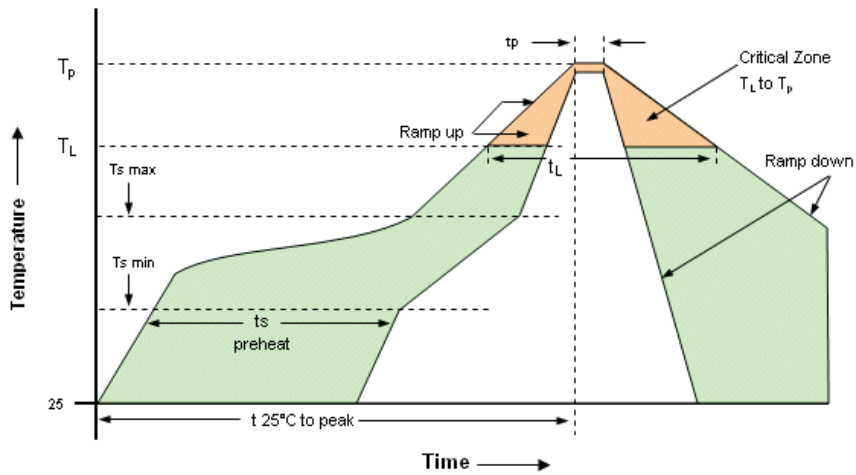
	LVPECL / LVDS	
	Pin 8	Pin 9
Pin 6	Pin 8	Pin 9
High	No Data	No Data
Open	Data	Compl. Data
Low	Data	Compl. Data

Standard Shipping Method



Enclosure Type	Tape Width W (mm)	Quantity per meter	Quantity per reel	Dimension P
G218B/G223B	24		500	12

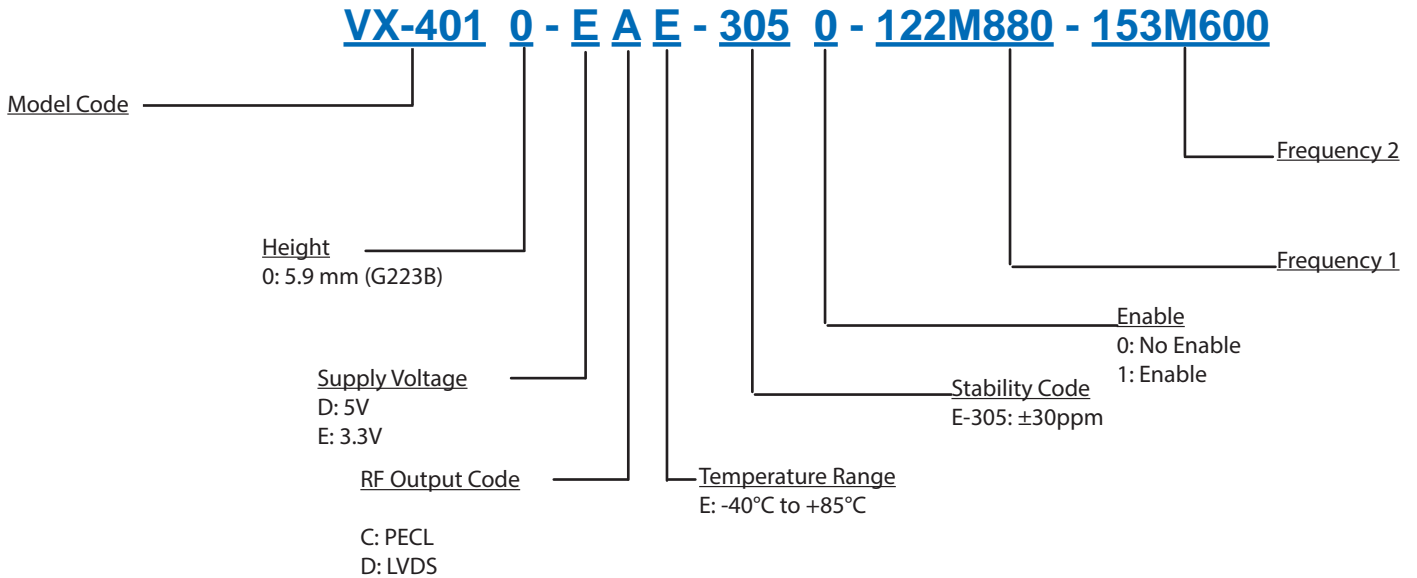
Recommended Reflow Profile



Profile Feature	Pb-Free Assembly/ Sn-Pb Assembly	Profile Feature	Pb-Free Assembly/ Sn-Pb Assembly
Average ramp-up rate (T_L to T_p)	3°C/second max.	Time 25°C to Peak Temperature	8 minutes max.
Preheat -Temperature Min T_{Smin} -Temperature Min T_{Smax} -Time (min to max) t_s	150°C 200°C 60-180 seconds	Time maintained above -Temperature (T_L) -Time (t_L)	217°C 60-150 seconds
T_{Smax} to T_L -Ramp-up Rate	3°C/second max		
Time maintained above -Temperature (T_L) -Time (t_L)	217°C 60-150 seconds	Time within 5°C of actual Peak Temperature (t_p)	20-40 seconds
Peak Temperature (T_p)	max 260°C	Ramp-down Rate	6°C/ second max

Note: All temperatures refer to topside of the package, measured on the package body surface.

Ordering Information



Notes:

1. Contact factory for improved stabilities or additional product options. Not all options and codes are available at all frequencies.
2. Unless other stated all values are valid after warm-up time and refer to typical conditions for supply voltage, frequency control voltage, load, temperature (25°C).
3. Phase noise degrades with increasing output frequency.
4. Subject to technical modification.
5. Contact factory for availability.

For Additional Information, Please Contact

USA:

Vectron International
267 Lowell Road
Hudson, NH 03051
Tel: 1.888.328.7661
Fax: 1.888.329.8328

Europe:

Vectron International
Landstrasse, D-74924
Neckarbischofsheim, Germany
Tel: +49 (0) 7268-801-0
Fax: +49 (0) 7268-801-281

Asia:

Vectron International
68 Yin Cheng Road(C), 22nd Floor
One LuJiaZui
Pudong, Shanghai 200120, China
Tel: +86 21 6194 6886
Fax: +86 21 6194 6699

Disclaimer

Vectron International reserves the right to make changes to the product(s) and or information contained herein without notice. No liability is assumed as a result of their use or application. No rights under any patent accompany the sale of any such product(s) or information.

Rev: 10/2013