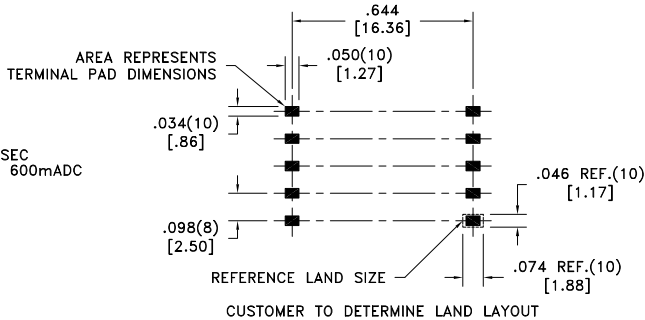
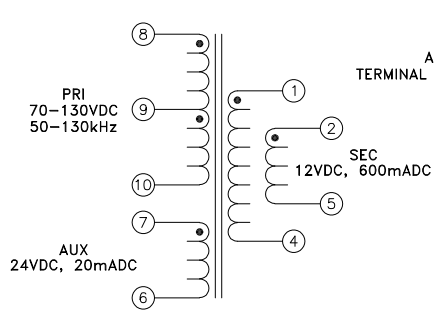
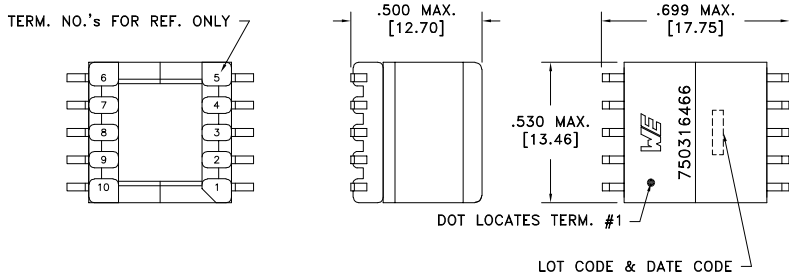


CUSTOMER TERMINAL	RoHS	LEAD(Pb)-FREE
Sn96%, Ag4%	Yes	Yes



Customer to tie terminals 1&2 and 4&5 on PC board.

Application of the transformer allows for the leadwires between terminals 1&2 and 4&5 to solder bridge.

ELECTRICAL SPECIFICATIONS @ 25°C unless otherwise noted:

PARAMETER	TEST CONDITIONS	VALUE
D.C. RESISTANCE	8-10 @20°C	6.20 ohms ±10%
D.C. RESISTANCE	7-6 @20°C	0.250 ohms ±10%
D.C. RESISTANCE	1-5 tie(1+2, 4+5), @20°C	0.028 ohms ±20%
INDUCTANCE	8-10 100kHz, 100mVAC, Ls	5.0mH ±10%
SATURATION CURRENT	8-10 20% rolloff from initial	330mA
LEAKAGE INDUCTANCE	8-10 tie(6+7, 1+2+4+5), 100kHz, 100mVAC, Ls	43uH typ., 60uH max.
INTERWINDING CAPACITANCE	8-1 tie(1+2, 4+5), 100kHz, 100mVAC, Cs	90pF max.
DIELECTRIC	8-1 tie(7+10, 4+5), 1875VAC, 1 second	1500VAC, 1 minute
DIELECTRIC	8-7 625VDC, 1 second	500VDC, 1 minute
TURNS RATIO	(8-10):(7-6)	12:1, ±1%
TURNS RATIO	(8-10):(1-5), tie(1+2, 4+5)	24:1, ±1%
TURNS RATIO	(8-9):(9-10)	1:1, ±1%

GENERAL SPECIFICATIONS:

OPERATING TEMPERATURE RANGE: -40°C to +125°C including temp rise.

Designed to comply with the following requirements as defined by IEC60950-1, EN60950-1, UL60950-1/CSA60950-1 and AS/NZS60950.1:

- Functional insulation for a primary circuit at a working voltage of 265Vrms, 400Vpeak, Overvoltage Category II.

Wire insulation & RoHS status not affected by wire color.
Wire insulation color may vary depending on availability.

DETAILS SUBJECT TO CHANGE

REV.	DATE	Packaging Specifications Method: Tape & Reel PKG-0499 www.we-online.com/midcom		Tolerances unless otherwise specified: Angles: ±1° Fractions: ±1/64 Decimals: ±.005 [.13] Footprint: ±.005 [.13]	DRAWING TITLE TRANSFORMER	PART NO. 750316466
6B	9/22			This drawing is dual dimensioned. Dimensions in brackets are in millimeters.	eiSos p/n: 750316466	
6A	2/17	SEE REVISION SHEET FOR REVISION LEVEL				SPECIFICATION SHEET 1 OF 1