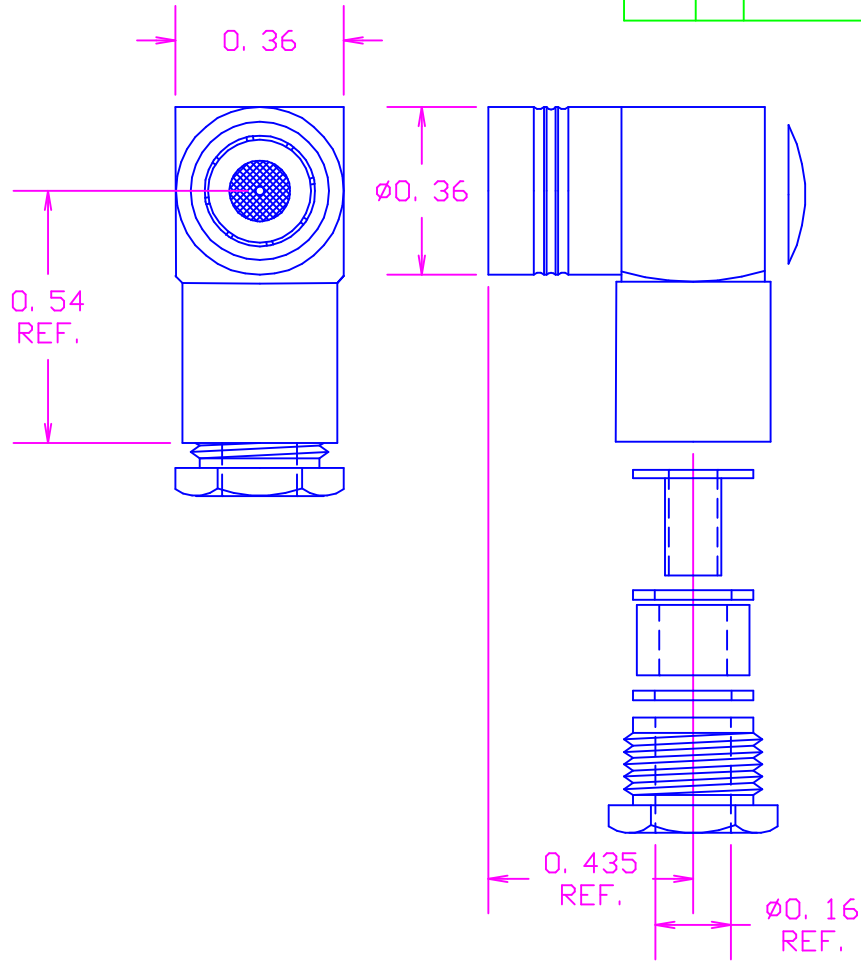
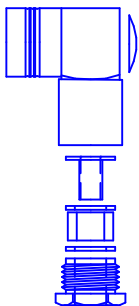


DATE	SYM	REVISION	RECORD	AUTH.	DR.	CK.
12/23/98	-	ISSUED			NT	GH



MATERIAL: BODY- BRASS, GOLD PLATED
CONTACT- BERYLLIUM COPPER, GOLD PLATED
INSULATION- PTFE PER ASTM D1710
IMPEDANCE: 75 OHMS REF.
CABLE: RG180/U- RG195/U

ACTUAL SIZE



TOLERANCES REF. ONLY	CONCORD ELECTRONICS CORPORATION		
DECIMAL + -	P/N	SCALE	30 GREAT JONES ST. NEW YORK N. Y. 10012
FRACTIONAL + -	TITLE SMZ ELBOW PLUG CLAMP TYPE		
+ -	DATE 12/18/98	DRAWING NUMBER 800-2230-1E	