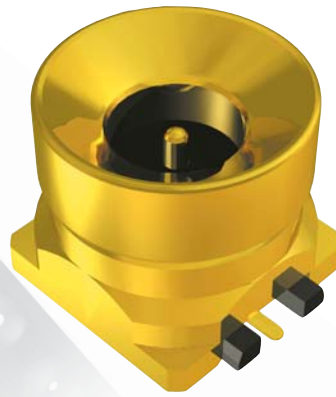


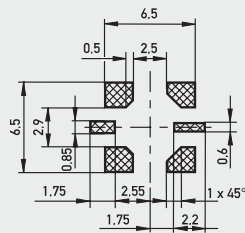
# 2270.99.0030.003

## Straight male antenna switch

All RF switches are designed for high production volumes and they are manufactured on automatic assembly lines. They are supplied on tape and reel packaging which meets the requirements of pick and place machines (IEC 286-3; EIA 481).



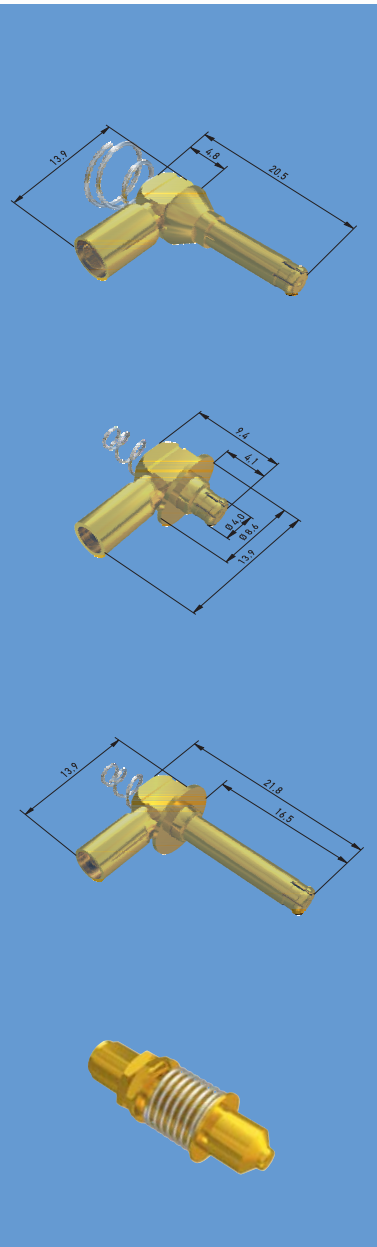
pcb layout



- Male interface
- More than 20,000 matings
- Excellent guiding
- Supplied on tape and reel (500 pcs/reel)

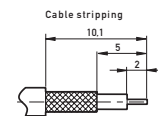


Designed for high volume production



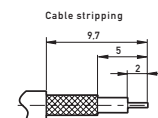
### Floating mount cable plug (m)

- Part No 2677.93.1420.033 (cable: low loss cable IMS Type: 1126780 – attenuation at 1.9 GHz: 0.815 dB/m)



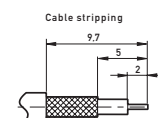
### Floating mount cable plug (m)

- Part No 2283.93.1420.013 (cable: RG 17 8 B/U)
- Part No 2283.93.1420.023 (cable: RG 316 U)



### Floating mount cable plug (m)

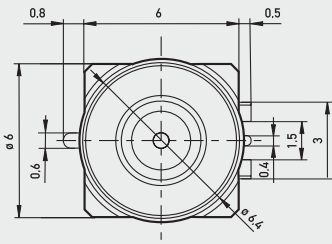
- Part No 2684.93.1420.023 (cable: RG 316 U)



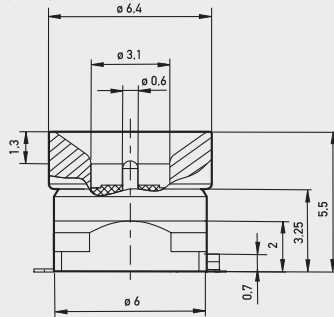
### Testadapter (for automatic testing)

- Part No 2707.42.8914.103
- Spring loaded floating system

Top view



Side view



for more flexibility

Electrical characteristics	Unswitched	Switched
Impedance	50 Ohm	50 Ohm
Operating frequency	DC...2 GHz	DC...2 GHz
Return-loss		
≤ 1 GHz	> 26 dB	> 25 dB
≤ 2 GHz	> 25 dB	> 23 dB
Isolation		
≤ 1 GHz		> 30 dB
≤ 2 GHz		> 22 dB
Insertion loss		
≤ 1 GHz	< 0.1 dB	< 0.1 dB
≤ 2 GHz	< 0.1 dB	< 0.4 dB
Insulation resistance	> 500 mOhm	> 500 mOhm
Contact resistance		
Center contact	< 80 mOhm	< 30 mOhm
Outer contact	< 5 mOhm	< 5 mOhm
Operating voltage	100 V	100 V
Proof voltage	500 Veff/50 Hz	500 Veff/50 Hz

Mechanical characteristics	
Engagement force	2 N
Separating force	1 N
Mating cycles	20,000
Contact pressure force (switch)	0.8 N (only switch, spring contact)
Misalignment	
Axial x, y	± 1 mm on diameter
Angular	± 3°

Materials	
Housing	Brass, Diecast
Insulator	PA
Moveable / Stationary contacts	Brass / Beryllium Copper
Other metal parts	Brass

Plating	
Housing	Optalloy + Flash Au
Moveable / Stationary contacts	Au
Other metal parts	Tribor or Au

Environmental	
Working temperature range	IEC 60068-2-1 / Ab
Moisture resistance	IEC 60068-2-2 / Bb
Relative humidity	IEC 60068-2-14 / Nb
Thermal cycling	IEC 60068-2-30 / Dp



### Spring loaded floating system

- Self-locating system
- Axial misalignment ± 1 mm on diameter
- Angular misalignment ± 3°
- Excellent electrical performance