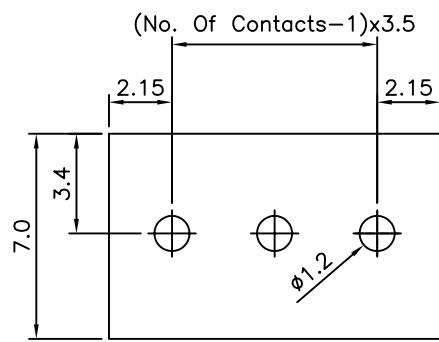
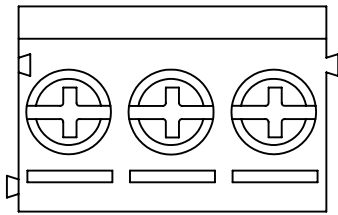
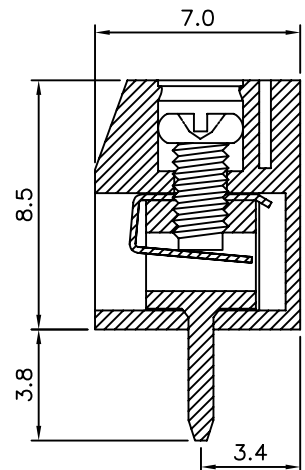
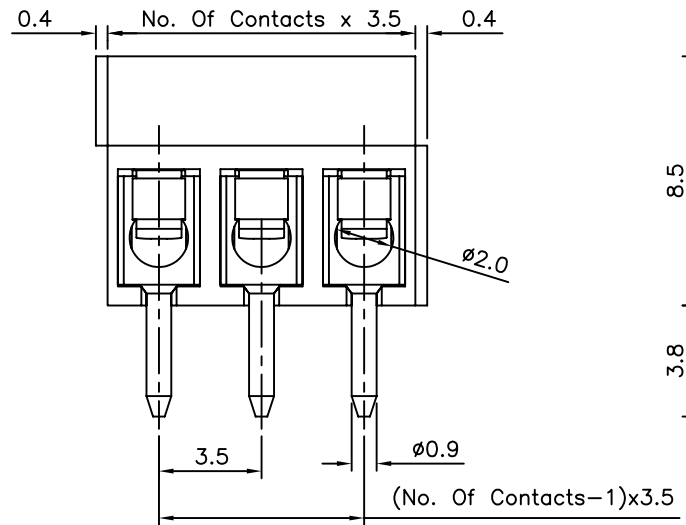


SPECIFICATIONS

Voltage Rating:125VAC
 Current Rating:10 Amps/Way Max
 Contact Resistance:20 Milliohms Max
 Insulation Resistance:5000 Megohms/1000V
 Withstanding Voltage:1500VAC (1Min) Test Time=60Sec/1Pcs
 Wire Range:16-26Awg
 Operating Temperature:-30°C To +105°C
 Soldering Reliability:
 Test Temperature:250°C±10°C/5 Seconds Max
 Contact(Metal Housing):Brass(CuZn)
 Terminal Screw:Steel Galvanized And Chromatize
 Wire Guard:Stainless Steel
 Surface Of Solder Tail:Tin Plated
 Insulator Body(Housing):Polyamide(Glass Filled)(UL94V-0)



P.C.B. Layout

AUK A MEMBER OF AUK GROUP
太聯事業股份有限公司
AUK CONTRACTORS CO., LTD.

CATEGORY		APPROVED BY		UNLESS OTHERWISE SPECIFIED TOLERANCES ARE X. ±0.50 .X ±0.30 .XX ±0.20 X.* ±1°				
PART No. TBN35XXD		MEI						
DRAWING No. TBN35XXD		CHECKED BY HZF						
SCALE NONE		DRAWING BY PEGA		UNIT mm				
REV.		A2						
NO.		REV.		NO.		REV.		
8		8		8		8		
9		9		9		9		
0		0		0		0		