

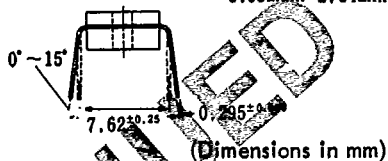
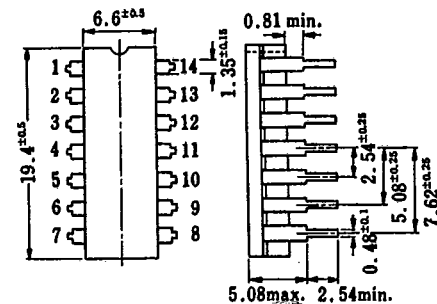


ECG1136

PROTECTION CIRCUIT
FOR BATTERY

Quick Reference Data

Symbol	Value	Unit
$V_{(upper\ cut)}$	16.6	V
$V_{(lower\ cut)}$	11.0	V
ΔV_{ADP}	3	V
I_{OFF}	4.	mA
I_{EXT}	4	mA

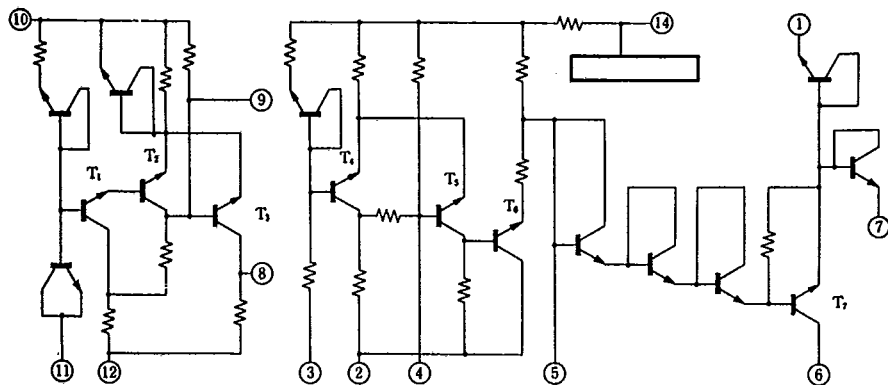
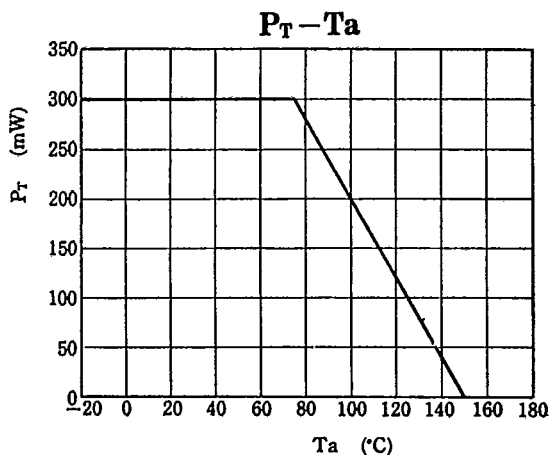


Absolute Maximum Ratings ($T_a=25^\circ C$)

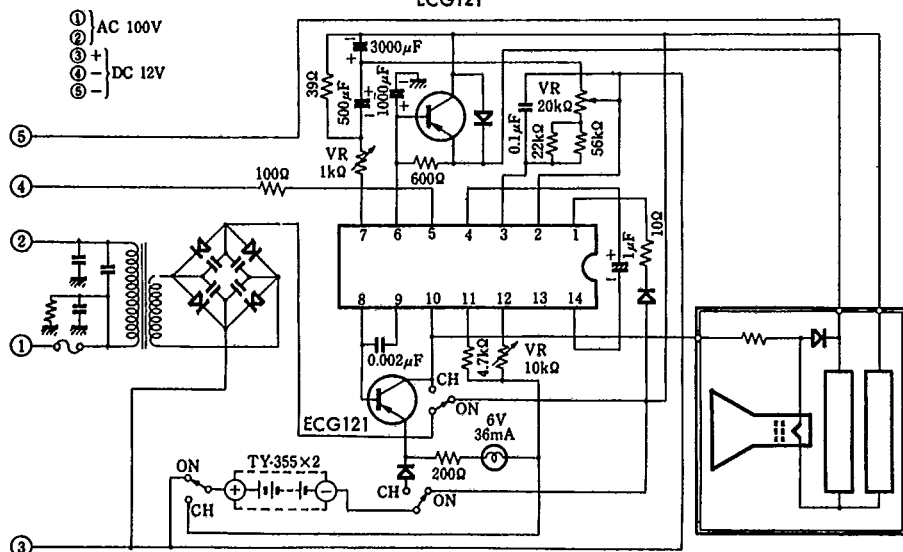
	Symbol	Rating	Unit
	V_{12-10}	25	V
	V_{12-14}	25	V
Circuit 1	V_{2-1}	16	V
Circuit 2	V_{2-3}	18.5	V
Circuit 3	V_{1-5}	8.5~16	V
Circuit 4	I_6	50	mA
Circuit 5	I_7	50	mA
	P_T	300	mW
	T_{opr}	-20~+75	°C
	T_{stg}	-40~+150	°C

Electrical Characteristics ($T_a=25^\circ C$)

	Symbol	min.	typ.	max.	Unit
ACP - R_{ACP} Circuit 6	R_{ACP}	5.17		11.23	k Ω
ADP - R_{ADP} Circuit 7	R_{ADP}	17.8		33.8	k Ω
ADP - ΔV_{ADP} Circuit 7	ΔV_{ADP}	3			V
I_{OFF} Circuit 8	I_{OFF}			4	mA
I_{EXT} Circuit 9	I_{EXT}			4	mA

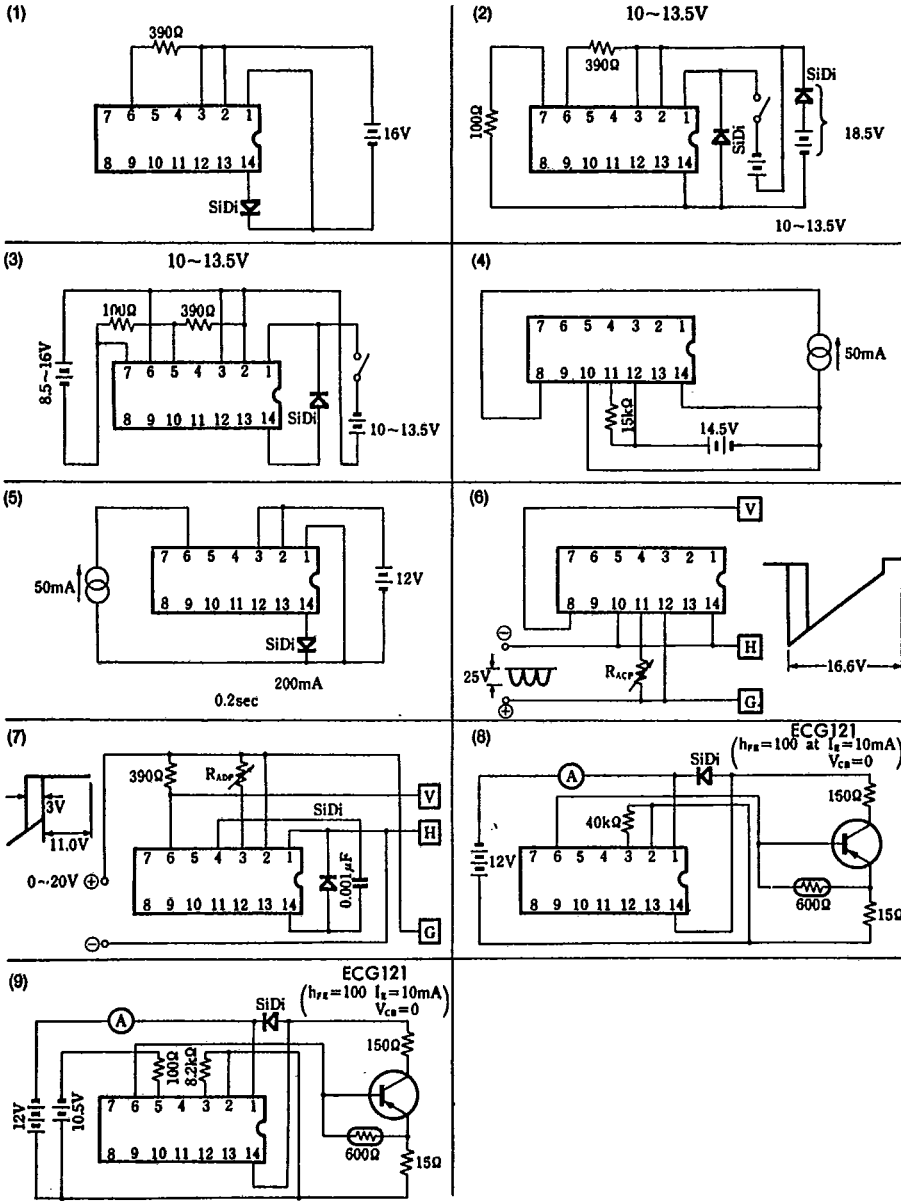


ECG121



937

ECG1136



PHILIPS ELECTRONICS INC. PHILADELPHIA, PA. U.S.A.