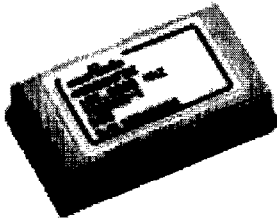
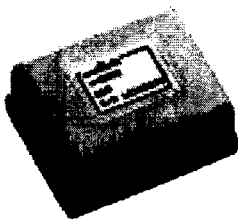


OSCILLATORS  
CRYSTAL OSCILLATORS  
SONET CRYSTAL OSCILLATORS



**SPECIFICATIONS**

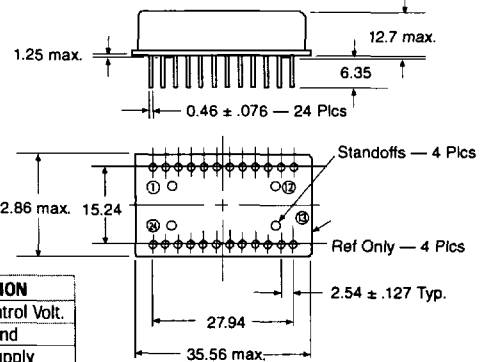
MODEL	TV2363-1
Features	Designed for Sonet Standard STS/OC-3
Frequency Range	155.52MHz
Input Voltage & Current	-4.5VDC @50mA Nominal +12VDC @20mA max.
Output Type	100K ECL- Complementary Outputs; Phase Jitter: 64pS p-p Output Skew: 100pS max.
Control Voltage and Freq. vs. Voltage Slope	0 ± 8V Negative
AFC Input Impedance	10kΩ min.
Linearity	±20%
Deviation	±40 to ±60ppm
Temp. Stability	±5ppm
Temp. Range	-40°C/+85°C



**SPECIFICATIONS**

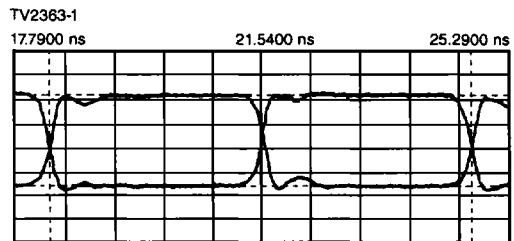
MODEL	VH2359
Features	Designed for Sonet Standard STS/OC-3
Frequency Range	155.52MHz
Input Voltage & Current	5V @ 60mA Nominal
Output Type	ECL in PS Lite Complementary Outputs; Phase Jitter: 64pS p-p Output Skew: 100pS max.
Control Voltage and Freq. vs. Voltage Slope	0 to 5V Positive
AFC Input Impedance	50kΩ min.
Linearity	±20%
Deviation	±70 to ±140ppm
Temp. Stability	±20ppm
Temp. Range	0°C to +70°C

**TV2363-1**



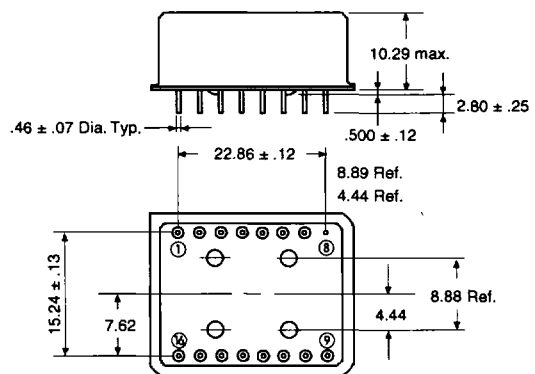
PIN	FUNCTION
1	VC Control Volt.
2,8,10,12	Case/Gnd
9	VS2 Supply Volt. (+12V)
11	VS1 Supply Volt. (-4.5V)
14	Output Signal
16	Complementary Output Signal
13,15,17	Case/Gnd
Others	N/C

**100K ECL COMPLEMENTARY OUTPUT CHARACTERISTICS**



Ch. 1 = 200.0 mVolts/div  
Delta V = 768.75 mVolts  
Timebase = 750 ps/div

**VH2359**



PIN	CONNECTION
6	Vin Control
8	Case/Gnd
9	Output 1
10	Output 2
16	+Vcc