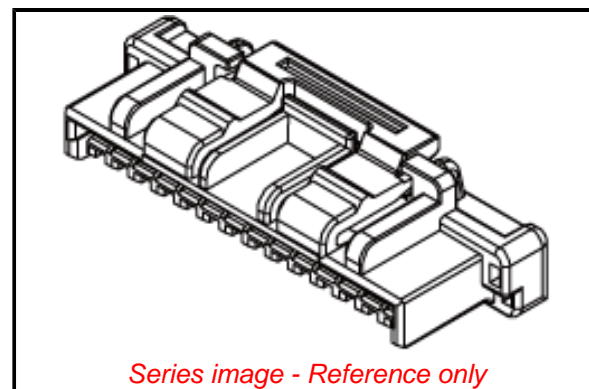


**PLEASE CHECK WWW.MOLEX.COM FOR LATEST PART INFORMATION**

**Part Number:** **5025780400**  
**Status:** **Active**  
**Overview:** CLIK-Mate Wire-to-Board Connectors  
**Description:** CLIK-Mate Wire-to-Board Housing, Single Row, Positive Lock, 4 Circuits, Beige

**Documents:**

<a href="#">3D Model</a>	<a href="#">Application Specification AS-502578-001-001 (PDF)</a>
<a href="#">Drawing (PDF)</a>	<a href="#">Application Specification AS-502578-002-001 (PDF)</a>
<a href="#">Product Specification PS-502584-001-001 (PDF)</a>	<a href="#">Application Specification AS-503395-001-001 (PDF)</a>
<a href="#">Product Specification PS-503159-001-001 (PDF)</a>	<a href="#">Packaging Specification SPK-502578-001-001 (PDF)</a>
<a href="#">Product Specification PS-503395-001-001 (PDF)</a>	<a href="#">RoHS Certificate of Compliance (PDF)</a>



**Agency Certification**

UL E29179

**General**

Product Family	Crimp Housings
Series	<u>502578</u>
Application	Signal, Wire-to-Board
Overview	<u>CLIK-Mate Wire-to-Board Connectors</u>
Product Name	CLIK-Mate
UPC	800756700021

**Physical**

Circuits (maximum)	4
Color - Resin	Beige
Flammability	SC-0
Gender	Plug
Glow-Wire Capable	No
Keying to Mating Part	Yes
Lock to Mating Part	Yes
Net Weight	259.800/mg
Number of Rows	1
Packaging Type	Bag
Panel Mount	No
Pitch - Mating Interface	1.50mm
Polarized to Mating Part	Yes
Stackable	No
Temperature Range - Operating	-40° to +105°C

**Electrical**

Current - Maximum per Contact 2.0A

**Material Info**

**Reference - Drawing Numbers**

Application Specification	AS-502578-001-001, AS-502578-002-001, AS-503395-001-001
Packaging Specification	SPK-502578-001-001
Product Specification	PS-502584-001-001, PS-503159-001-001, PS-503395-001-001
Sales Drawing	SD-502578-001

**EU ELV**

**Not Relevant**

**EU RoHS**

**Compliant**

**REACH SVHC**

Not Contained Per -  
ED/61/2018 (27 June  
2018)

**Halogen-Free**

**Status**

**Not Low-Halogen**

For more information, please visit [Contact US](#)

China ROHS

ELV

RoHS Phthalates

**China RoHS**

Green Image

Not Relevant

Not Contained

**Search Parts in this Series**

502578 Series

**Mates With**

503395 Bottom-Entry Receptacle . 503175  
Right Angle, Through Hole Receptacle .  
502585 Right Angle, Surface Mount  
Receptacle <br> 503159 Vertical, Through  
Hole Receptacle <br> 502584 , 505405  
Vertical, Surface Mount Receptacle

**Use With**

502579 Crimp Terminal for 24-28 AWG .  
503429 Crimp Terminal for 26-30 AWG