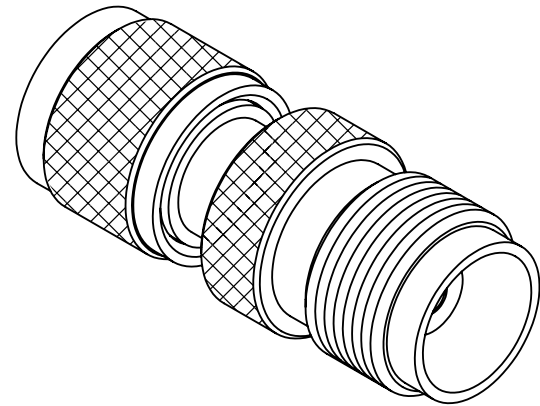
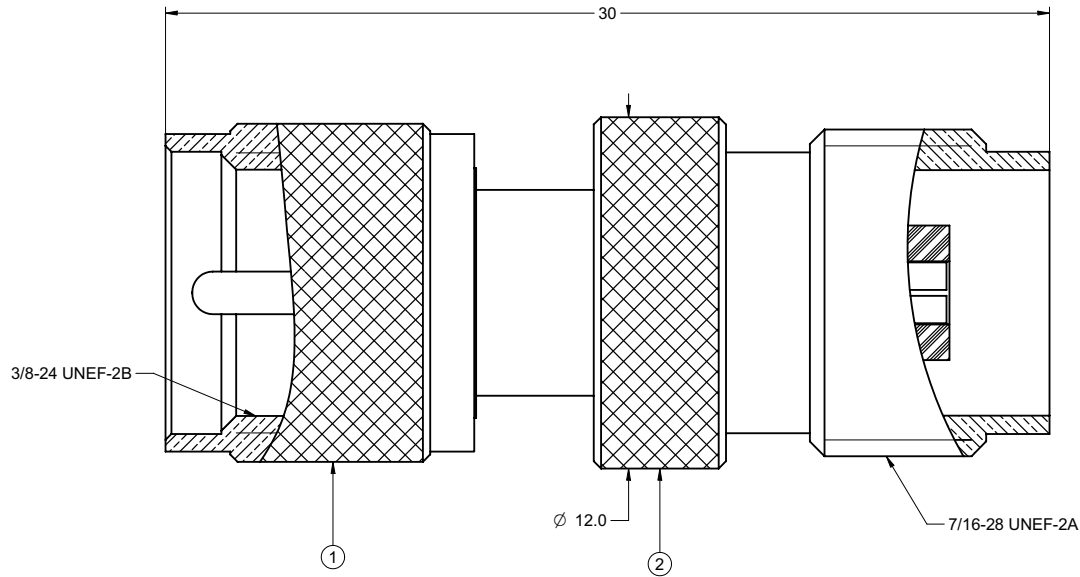


PART NUMBER	ITEM ① NUT	ITEM ② BODY
29-4100	BRASS NICKEL PLATED	BRASS NICKEL PLATED

受控 CONTROLLED DOCUMENT					
编号 P/N	29-4100	版本 Rev	0B	日期 Rel'd Date	Mar 24, 08

DRAWING NO. 29-4100	
REVISIONS	
A RELEASE FOR QUOTATION	
01-20-06	W W T
B ADD DIM. Ø12.0 ADD NOTES 4 & 5	
12-26-06	Z L T

Thomas Chen
2007.01.04
14:16:51
-08'00'



NOTES:

- ELECTRICAL SPECIFICATIONS
TNC IMPEDANCE: 50 OHM
MINI-UHF IMPEDANCE: NON-CONSTANT
WORKING VOLTAGE: 500 VOLTS RMS AT SEA LEVEL
DIELECTRIC WITHSTANDING VOLTAGE: 1500 VOLTS RMS AT SEA LEVEL
INSULATION RESISTANCE: 5000 MEGOHMS MIN
- ENVIRONMENTAL SPECIFICATIONS
TEMPERATURE RANGE: -55 °C TO +85 °C
- MECHANICAL CHARACTERISTICS:
DURABILITY: 500 CYCLES
- PRODUCT SHOULD BE RoHS COMPLIANCE
- PACKAGING REQUIREMENT FOLLOWS ENGINEERING DOCUMENT P/N 836-40200001XX

THIS DRAWING TO BE INTERPRETED
PER ANSI Y 14.5M - 1994

COMPANY CONFIDENTIAL

TOLERANCE UNLESS OTHERWISE SPECIFIED		DRAWN BY GARY.ZHG	DATE 12-26-06
DECIMALS	mm	CHECKED BY LINDA.WU	DATE 12-26-06
X	± 0.5	APPROVED BY THOMAS	DATE 12-26-06
X.X	± 0.2		
X.XX	± 0.1		
ANGLES	± 0.5°	U/M	mm

TITLE MINI UHF MALE TO TNC	
SHEET 1 OF 1	DRAWING NO. 29-4100
	SIZE C

THIS DRAWING WAS PRODUCED BY COMPUTER,
DO NOT SCALE DRAWING OR UPDATE MANUALLY.