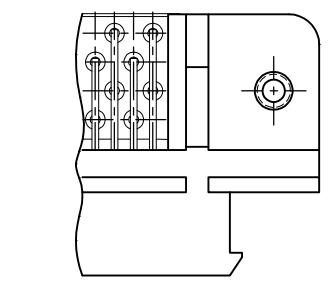
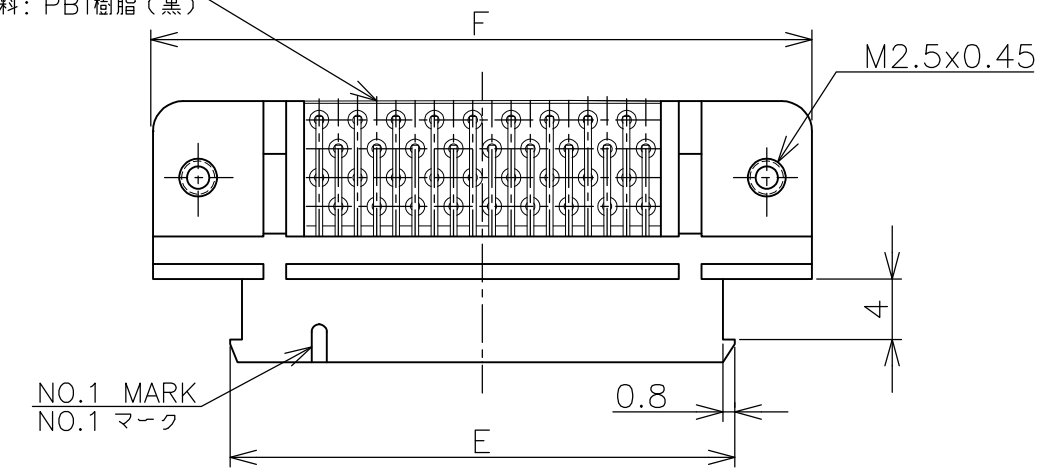


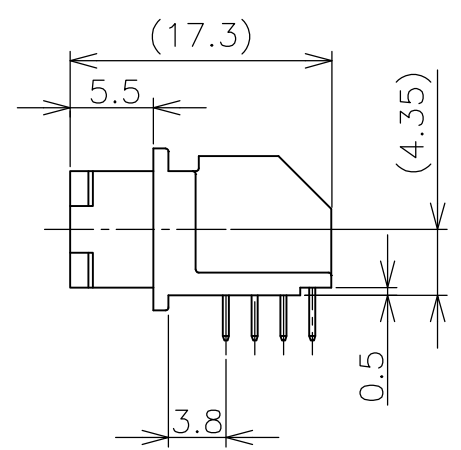
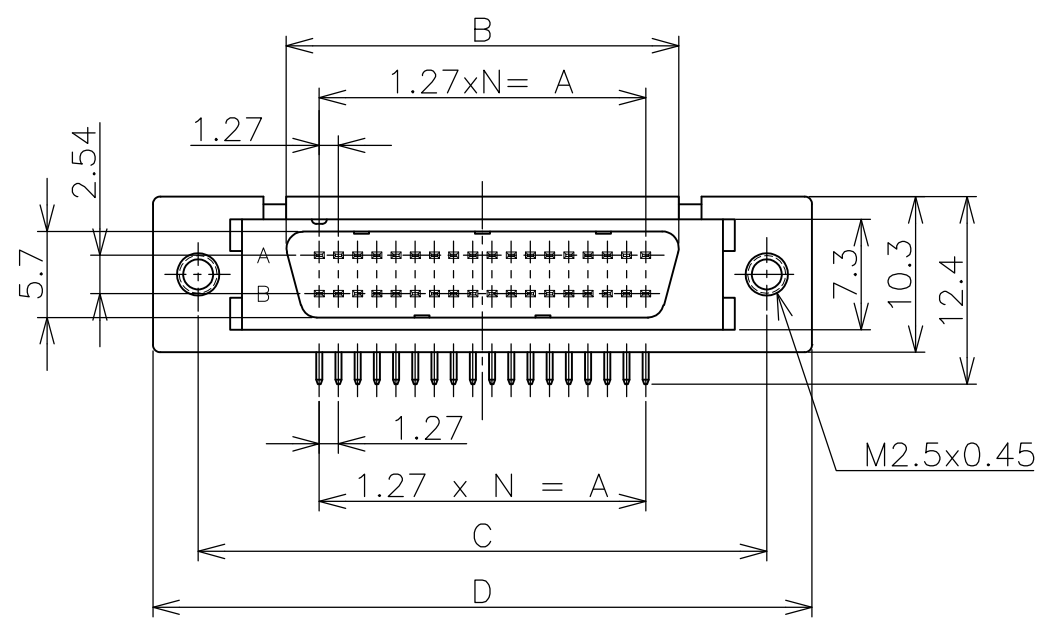
THIS DRAWING IS UNPUBLISHED. RELEASED FOR PUBLICATION FEB. 2003.  
 © COPYRIGHT 2003 BY TYCO ELECTRONICS CORPORATION. ALL RIGHTS RESERVED.

LOC	DIST	REVISIONS					
		P	LTR	DESCRIPTION	DATE	DWN	APVD
J		D1		REVISED PER ECR-07-013394	06JUN07	T.Z	S.Y
		D2		REVISED PER ECO-10-000445	11JAN10	KK	AEG

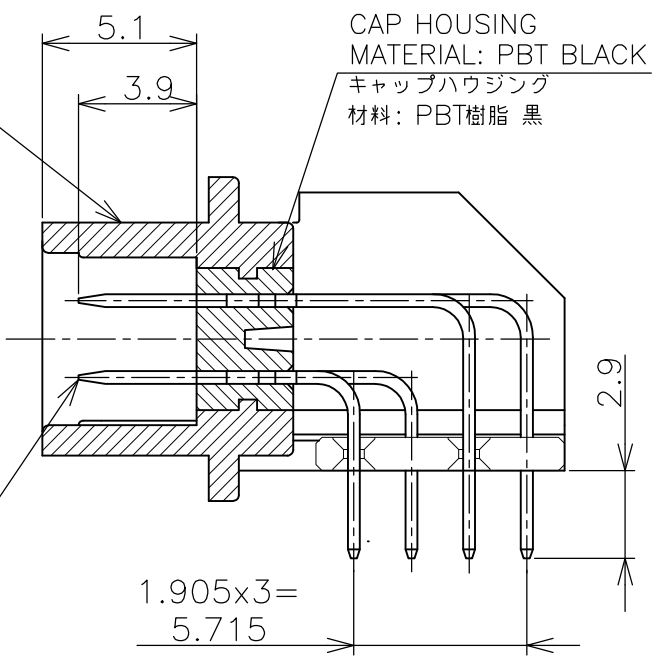
TINE PLATE  
 MATERIAL: PBT (BLACK)  
 タインプレート  
 材料: PBT樹脂(黒)



50 POS (-4) ONLY



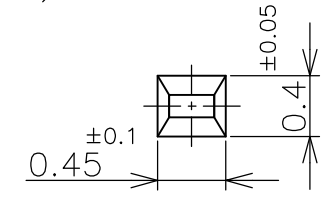
CAP SHIELD  
 MATERIAL: ZINC  
 FINISH: NICKEL OVER COPPER  
 キャップシールド  
 材料: 亜鉛ダイカスト  
 仕上: 銅下地ニッケルめっき



POST CONTACT  
 MATERIAL: PHOS BRONZE  
 FINISH: GOLD (CONTACT AREA)  
 TIN (SOLDER TINE AREA)  
 WITH ENTIRE CONTACT  
 UNDER PLATED NIKKEL  
 ポストコンタクト  
 材料: りん青銅  
 仕上: 金(接触部)、すずめっき(タイン部)  
 全面ニッケル下地めっき

(SCALE 4:1)

鉛フリー  
 LEAD FREE



TOP OF POST (SOLDER SIDE)  
 ポスト先端形状(はんだ側)  
 (SCALE 20:1)

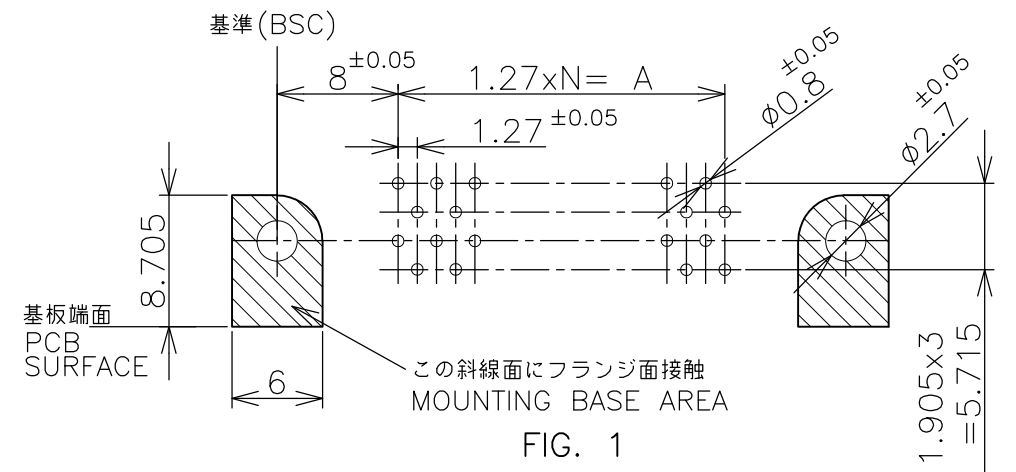
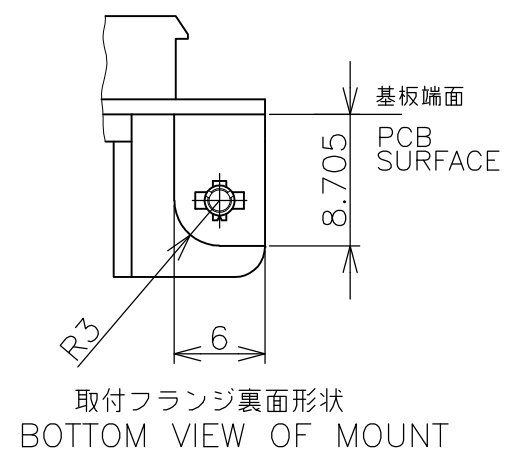


FIG. 1



取付フランジ裏面形状  
 BOTTOM VIEW OF MOUNT

POS	N	A	B	C	D	E	F	GOLD THK	PART NUMBER
96	47	59.69	64.06	75.7	81.7	71.49	75.7	0.00076 MIN	2-174225-6
68	33	41.91	46.28	57.9	63.9	53.71	57.9		2-174225-5
50	24	30.48	34.85	46.5	52.5	42.28	46.5		2-174225-4
36	17	21.59	25.96	37.6	43.6	33.39	37.6		3-174225-3
28	13	16.51	20.88	32.5	38.5	28.31	32.5	0.0002 MIN	4-174225-2
20	9	11.43	15.8	27.4	33.4	23.23	27.4		4-174225-1
96	47	59.69	64.06	75.7	81.7	71.49	75.7		174225-6
68	33	41.91	46.28	57.9	63.9	53.71	57.9		174225-5
50	24	30.48	34.85	46.5	52.5	42.28	46.5	0.0002 MIN	174225-4
36	17	21.59	25.96	37.6	43.6	33.39	37.6		3-174225-3
28	13	16.51	20.88	32.5	38.5	28.31	32.5	0.0002 MIN	3-174225-2
20	9	11.43	15.8	27.4	33.4	23.23	27.4		174225-1

- P.C BOARD HOLE LAY-OUT AS SHOWN FIG. 1
- USE SCREW SIZE ; M2.5 PAN-HEAD SCREW
- OBSOLETE PARTS: OBSOLETE CIS STREAMLINING PER D.RENAUD/D.SINISI
- OBSOLETE

- 基板パターン寸法図はFIG. 1に示す通り。
- 適用ねじ: M2.5 なべ小ねじ

THIS DRAWING IS A CONTROLLED DOCUMENT.

DWN: H.TAGUCHI 16DEC03  
 CHK: T.FUTATSIGI 16DEC03  
 APVD: H.KODAMA 16DEC03

Tyco Electronics  
 Tyco Electronics AMP K.K.  
 Kawasaki, Japan

NAME: POST HEADER (HORIZONTAL M2.5)  
 AMPLIMITE .050 SERIES 2  
 TYPE B

SIZE: A3 CAGE CODE: 00779 DRAWING NO: G-174225 RESTRICTED TO: [ ]

CUSTOMER DRAWING SCALE: 2:1 SHEET: 1 OF 1 REV: D2