

PRODUCT NO.	PICK-UP CAP
10095045-001LF	NO
10095045-001CLF	YES

5 CAVITY NUMBER

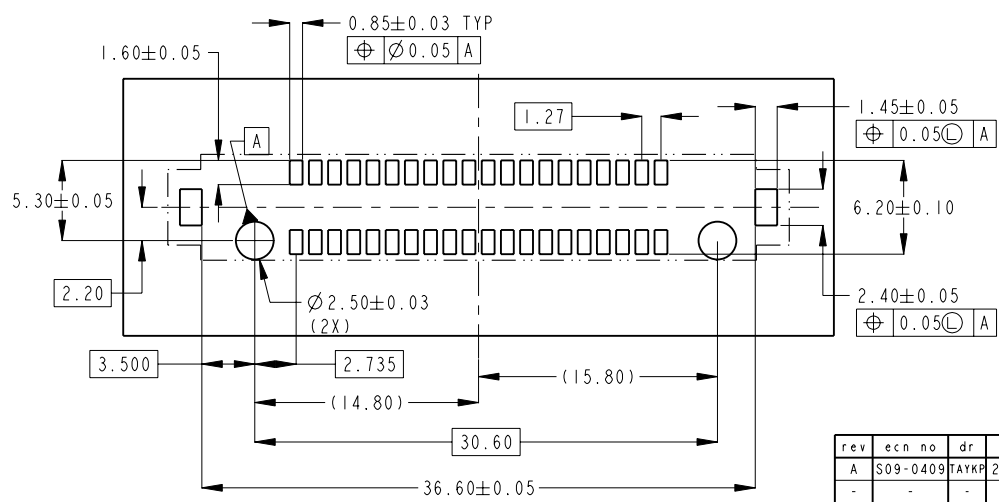
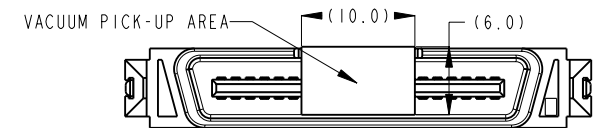
5 FCI ID

5 DATE CODE

SCALE 2:1

SCALE 2:1

- NOTES:
- MATERIAL :
HOUSING : HIGH TEMPERATURE THERMAPLASTIC, UL 94V-0, COLOUR:BLACK
CONTACTS : COPPER ALLOY
ESD CONTACTS : COPPER ALLOY
 - PLATING SPEC:
CONTACTS : 1.27um/50u" MIN NICKEL UNDERPLATE
0.76um/30u" MIN GOLD AT CONTACT AREA
2.54um/100u" MIN TIN AT SOLDER TAIL
ESD CONTACTS : 1.27um/50u" MIN NICKEL UNDERPLATE
2.54um/100u" MIN TIN OVERALL
 - PLATING SPEC:
CONTACTS : 1.27um/50u" MIN NICKEL UNDERPLATE
0.76um/30u" MIN GXT PLATING AT CONTACT AREA
2.54um/100u" MIN TIN AT SOLDER TAIL
ESD CONTACTS : 1.27um/50u" MIN NICKEL UNDERPLATE
2.54um/100u" MIN TIN OVERALL
 - THE HOUSING WILL WITHSTAND EXPOSURE TO 260°C PEAK TEMPERATURE FOR 10 SECONDS IN A CONVECTION, INFRA-RED OR VAPOR PHASE REFLOW OVEN.
 - THIS PRODUCT MEETS EUROPEAN UNION DIRECTIVES AND OTHER COUNTRY REGULATIONS AS DECRIED IN GS-22-008.
 - APPROXIMATE LOCATION FOR DATE CODE, CAVITY NUMBER & FCI ID.
 - A Δ SYMBOL BE NEXT TO ANY DIMENSION, VIEW, OR NOTE WHICH HAS BEEN MODIFIED WITH THE CURRENT DRAWING REVISION.



RECOMMENDED PCB LAYOUT

rev	ecn no	dr	date
A	S09-0409	TAYKP	2009-12-15
-	-	-	-
-	-	-	-
-	-	-	-
-	-	-	-
-	-	-	-

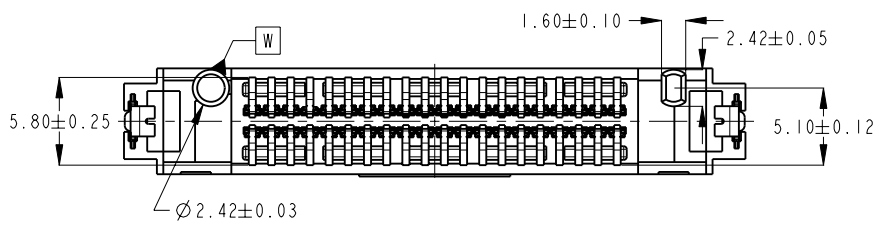
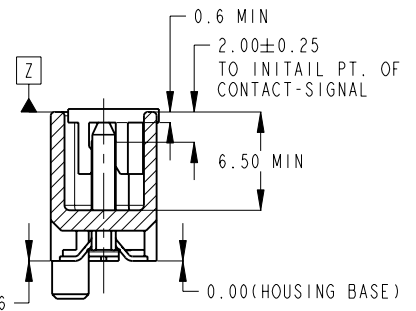
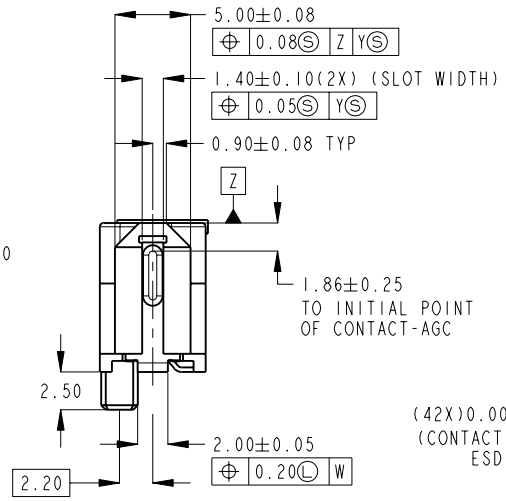
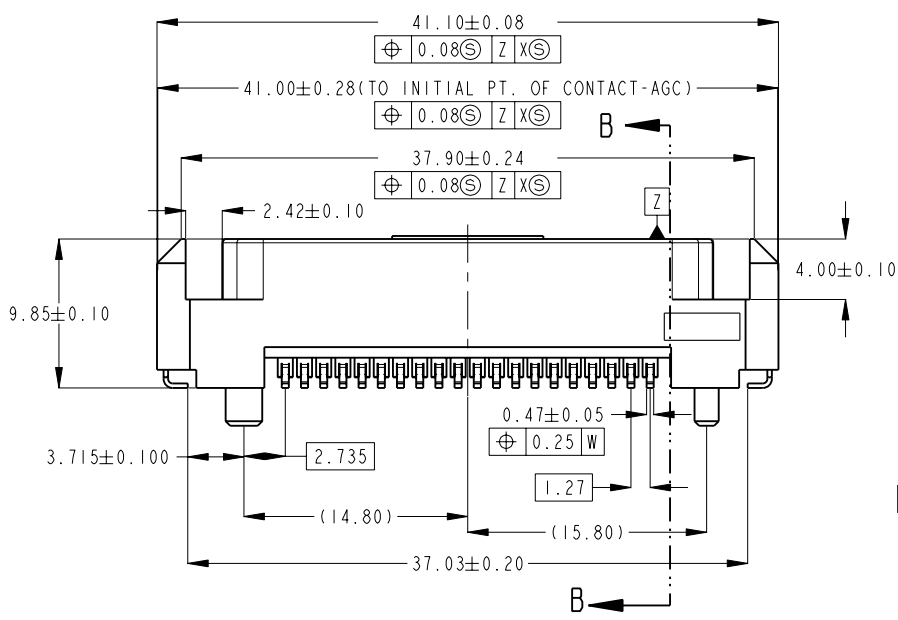
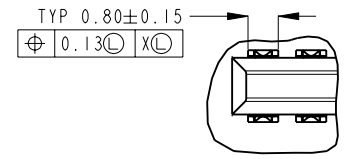
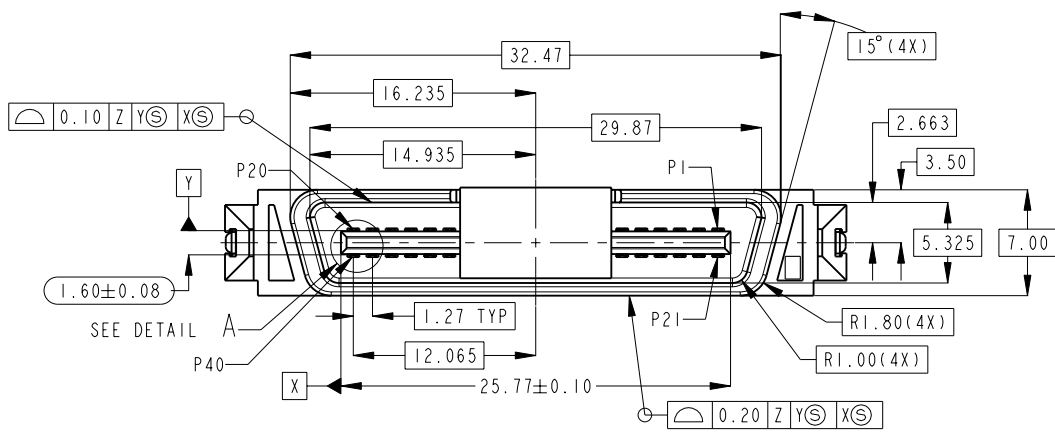
www.fciconnect.com		surface	tolerance std	projection	MM
		-	ASME Y14.5	\oplus	
TOLERANCES UNLESS OTHERWISE SPECIFIED					
Dr	KP TAY	2008-12-17	ANGULAR	0.X	± 0.30
Eng	KP TAY	2009-12-15	LINEAR	0.XX	± 0.20
Chr	KP TAY	2009-12-15	0°	0.XXX	± 0.10
Appr	JOEY NG	2009-12-15	Product family		Spec ref
FCI				SCA-2 CONNECTOR	
				40 POS VERT. SMT PLUG	
catalog no				CUSTOMER	
				sheet 1 of 2	
			dwg no		10095045
			Rev.		A



Copyright FCI.



Copyright FCI.



	TITLE	SCA-2 CONNECTOR	dwg no	10095045	Rev.	A
		40 POS VERT. SMT PLUG				
	CATALOG NO			CUSTOMER		sheet 2 of 2

REV F - 2006-04-17