

ELECTRICAL

Impedance	50 Ohms
Frequency range	0-4 GHz
Voltage Rating	1500 volts peak, std.
Dielectric Withstanding Voltage	5000 volts RMS

ENVIRONMENTAL

Temperature range	TFE -65°C to +165°C Copolymer of styrene: -55°C to +85°C
Weatherproof	All HN Series are weatherproof
Hermetic Seals	Pass helium leak test of 2×10^{-8} cc/sec
Pressurized	Compression Seal

MECHANICAL

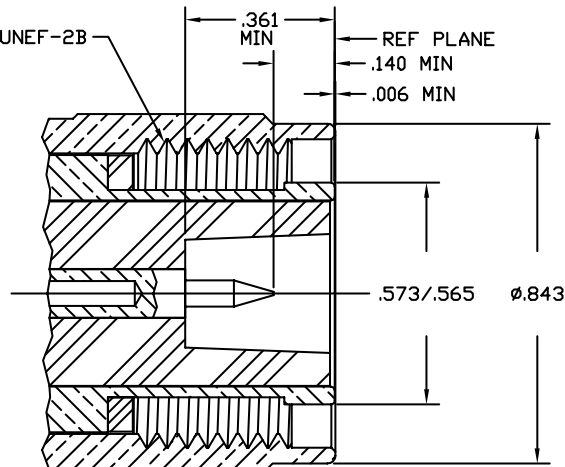
Mating	3/4-20 threaded coupling
Cable affixment	Screw-thread nut and braid clamp

MATERIAL

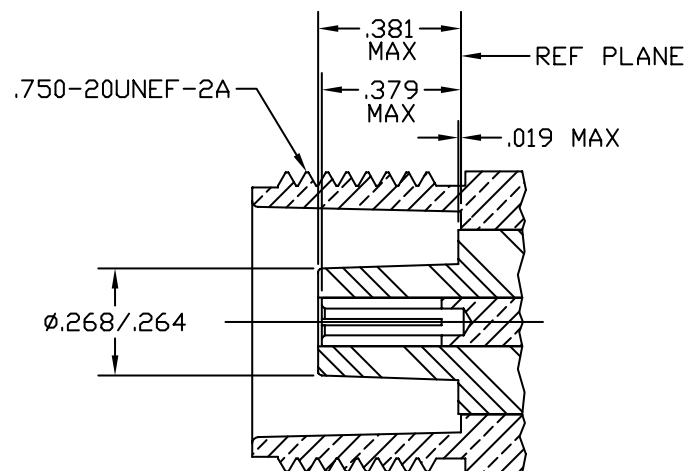
Contacts	Male: brass Female: beryllium copper. Outer: brass Finish: silver or gold
Other metal parts	Brass: ASTROplate® finish
Insulators	TFE, glass-TFE Copolymer of styrene: (hermetically sealed)
Weatherproof gaskets	Silicone rubber; Synthetic rubber

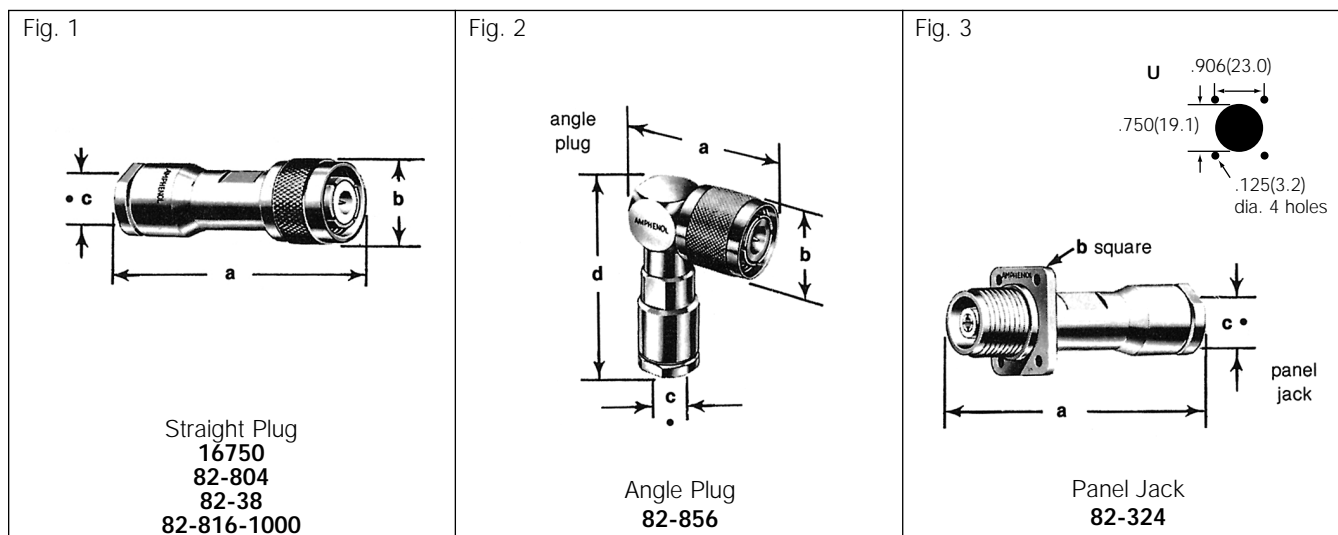
NOTE: These characteristics are typical and may not apply to all connectors.

PLUG



JACK





C, HN, SC

STRAIGHT PLUGS

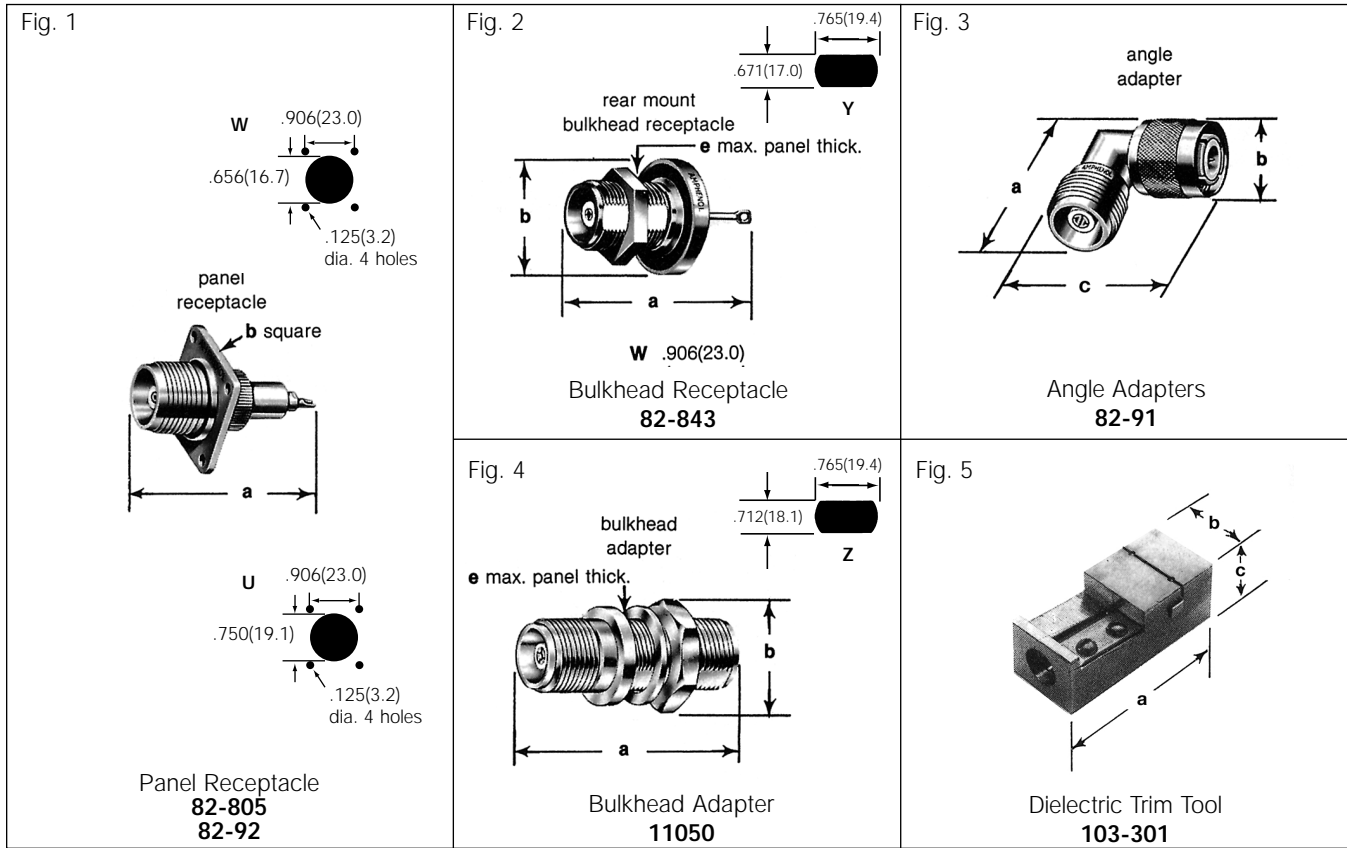
Description	Cable Termination	Dimensions, in. (mm)				MTG Hole	Construction Notes			Military Number	Amphenol Number	Fig
		a	b	c	d		CAI	Plt.	Ins.			
58, 141, 142	TYP-Clamp	1.81 (46.0)	.844 (21.4)	.214 (5.4)	—	—	C18	P1	D1	—	16750	1
8, 9, 213, 214	TYP-Clamp	2.38 (60.3)	.875 (22.2)	.444 (11.3)	—	—	C20	P1	D6	UG-59A	82-38	1
54A	TYP-Clamp	1.81 (46.0)	.875 (22.2)	.257 (6.5)	—	—	C18	P4	D6	—	82-816-1000	1
8, 9, 87A, 213, 214, 225	TYP-Clamp	2.38 (60.3)	.875 (22.2)	.444 (11.3)	—	—	C17	P1	D1	UG-59B	82-804	1

ANGLE PLUG

Description	Cable Termination	Dimensions, in. (mm)				MTG Hole	Construction Notes			Military Number	Amphenol Number	Fig
		a	b	c	d		CAI	Plt.	Ins.			
8, 9, 87A, 213, 214, 225	TYP-Clamp	1.50 (38.1)	.875 (22.2)	.444 (11.3)	2.31 (58.7)	—	C17	P1	D1	—	82-856	2

PANEL JACKS

Description	Cable Termination	Dimensions, in. (mm)				MTG Hole	Construction Notes			Military Number	Amphenol Number	Fig
		a	b	c	d		CAI	Plt.	Ins.			
8, 9, 87A, 213, 214, 225	C.C.-Clamp	2.94 (74.6)	1.19 (30.2)	.444 (11.3)	—	U	C17	P1	D1	UG-1215	82-324	3



PANEL RECEPTACLES

Description	Dimensions, in. (mm)				MTG Hole	Construction Notes			Military Number	Amphenol Number	Fig
	a	b	c	e		CAI	Plt.	Ins.			
Solder Cup Terminal	1.88 (47.6)	1.19 (30.2)	—	—	W	—	P1	D1	UG-560	82-805	1
Solder Cup Terminal (Copolymer Styrene Ins.)	1.53 (38.9)	1.19 (30.2)	—	—	U	—	P1	D6	UG-496	82-92	1

BULKHEAD RECEPTACLES

Description	Dimensions, in. (mm)				MTG Hole	Construction Notes			Military Number	Amphenol Number	Fig
	a	b	c	e		CAI	Plt.	Ins.			
Rear Mount/Spade Terminal	1.77 (44.8)	1.25 (31.8)	—	.187 (4.7)	Y	—	P1	D1	—	82-843	2

ANGLE ADAPTERS

Description	Dimensions, in. (mm)				MTG Hole	Construction Notes			Military Number	Amphenol Number	Fig
	a	b	c	e		CAI	Plt.	Ins.			
Jack-Plug (Copolymer Styrene Ins.)	1.53 (38.9)	.875 (22.2)	1.46 (37.3)	—	—	—	P1	D6	UG-212A	82-91	3

BULKHEAD ADAPTERS

Description	Dimensions, in. (mm)				MTG Hole	Construction Notes			Military Number	Amphenol Number	Fig
	a	b	c	e		CAI	Plt.	Ins.			
Jack-Jack	1.97 (50.0)	1.00 (25.4)	—	.343 (8.7)	Z	—	P1	D1	UG-1019	11050	4

DIELECTRIC TRIM TOOL

Description	Dimensions, in. (mm)				MTG Hole	Construction Notes			Military Number	Amphenol Number	Fig
	a	b	c	e		CAI	Plt.	Ins.			
Dielectric Trim Tool	1.47 (37.3)	.625 (15.9)	.500 (12.7)	—	—	—			MX-103/U	103-301	5