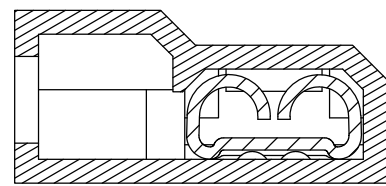
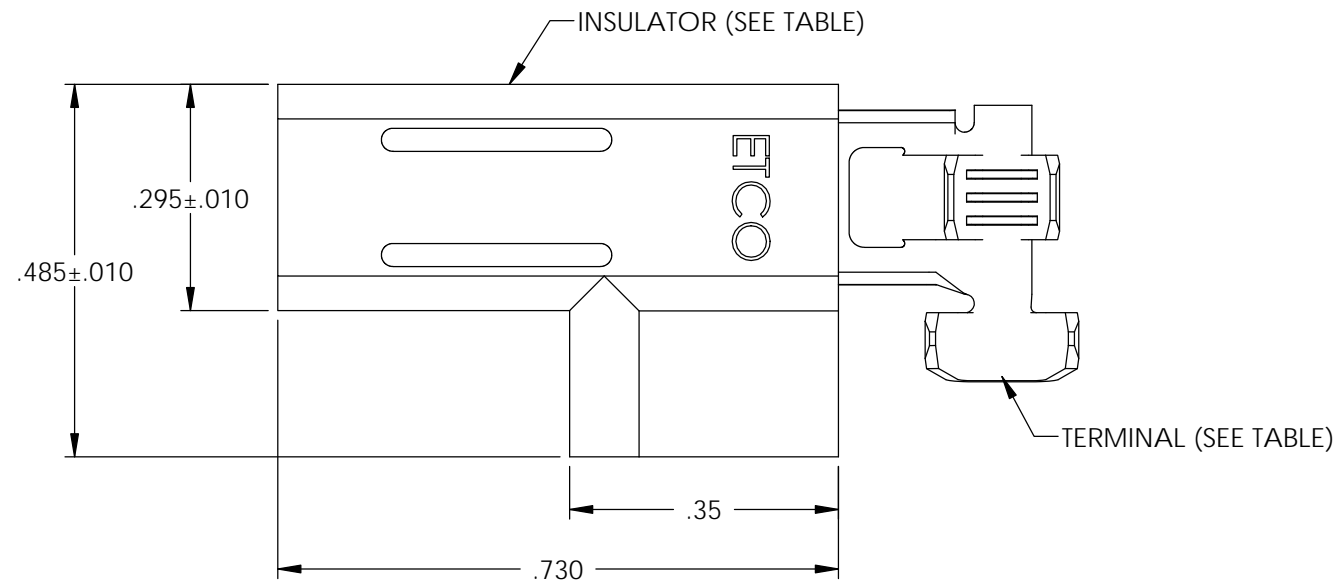
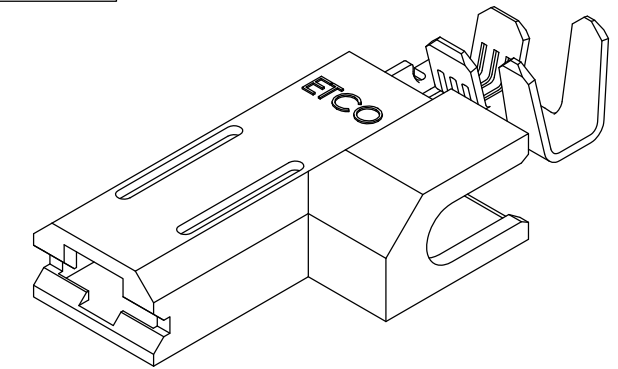


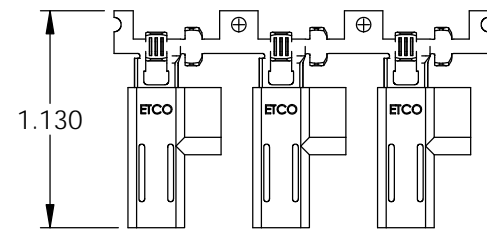
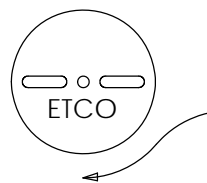
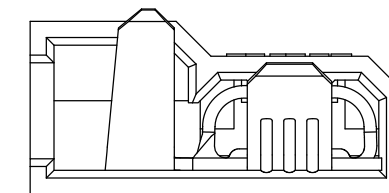
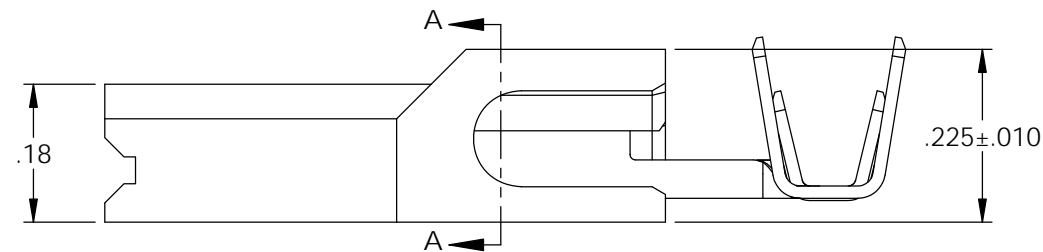
- NOTES:  
 1.) ACCEPTED MALE: SEE TABLE.  
 2.) WIRE RANGE: SEE TABLE.  
 3.) INSUL RANGE: SEE TABLE.  
 4.) INSULATOR TEMP RATING: 150 °C MAX. (11)  
 5.) VOLTAGE RATING: 600 V MAX,  
 1000 V MAX if used inside a fixture or sign. (11)

P/C	DESCRIPTION	TERMINAL MAT'L AND FINISH	INSULATOR MAT'L	MALE TAB	WIRE RANGE	INSUL RANGE	ETCO	CAIUS®
33000	PDF125N-FR-HB	BRASS	6/6 NYLON FR	.032 X .187	18-22 AWG	Ø .055-.105		X
33010	PDF125N-FR-THB	PRE-TINNED BRASS	6/6 NYLON FR	.032 X .187	18-22 AWG	Ø .055-.105		X
33040	PDF124N-FR-HB	BRASS	6/6 NYLON FR	.032 X .187	14-18 AWG	Ø .125-.155	X	
33050	PDF124N-FR-THB	PRE-TINNED BRASS	6/6 NYLON FR	.032 X .187	14-18 AWG	Ø .125-.155	X	
33060	PDF126N-FR-HB	BRASS	6/6 NYLON FR	.020 X .187	14-18 AWG	Ø .125-.155	X	
33070	PDF126N-FR-THB	PRE-TINNED BRASS	6/6 NYLON FR	.020 X .187	14-18 AWG	Ø .125-.155	X	
33080	PDF127N-FR-HB	BRASS	6/6 NYLON FR	.020 X .187	18-22 AWG	Ø .055-.105		X
33090	PDF127N-FR-THB	PRE-TINNED BRASS	6/6 NYLON FR	.020 X .187	18-22 AWG	Ø .055-.105		X
36017	PDF125N-FR-THB-WPL	PRE-TINNED BRASS	6/6 NYLON FR	.020 X .187	18-22 AWG	Ø .055-.105		X

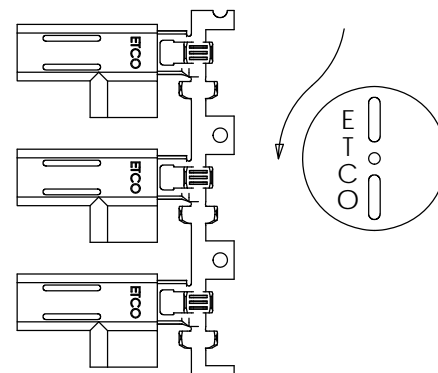
Rev.	Description of Change/ SCN#	Date
8	REMODELED ON SOLIDWORKS NO CHANGES SCJ	1-26-07
9	COMPLETED P/C LIST SCJ	9-15-08
10	SCN-140446 JMR REMOVED XI PRODUCT	12-09-08
11	ECR# 1939 SCJ	1/21/13
11	ECR# 3817 SCJ	7/16/15
11	ECR# 3799 SCJ	7/20/15



SECTION A-A



DIRECTION EXITING TOOL,  
RIGHT TO LEFT,  
EARS UP, TO THE BACK



DIRECTION TOWARD APPLICATOR,  
BACK TO FRONT,  
EARS UP, TO THE RIGHT

# UNCONTROLLED COPY

<p>THIRD ANGLE PROJECTION TOLERANCES UNLESS OTHERWISE SPECIFIED INCHES: .XX - ±.030 .XXX - ±.015 ANGLES: ±5°</p>	<p>TOOL NO. <b>0795</b></p>	<p>Title: .187 FEMALE FLAG DISCONNECT ASSEMBLY</p>	
		<p>DO NOT SCALE DWG.</p>	<p>Drawn By: S.JOHNSON Date: 1-24-07</p>
<p>ETCO Incorporated Engineered Products 25 Bellows Street Warwick, RI 02888 Phone: (401) 467-2400 Fax: (401) 467-9230 www.ETCO.com</p>		<p>Chk'd/App'd By:</p>	<p>Scale: 4X Size B</p>
		<p>Dwg. No.: PDF124N, PDF125N, PDF126N, PDF127N cust</p>	