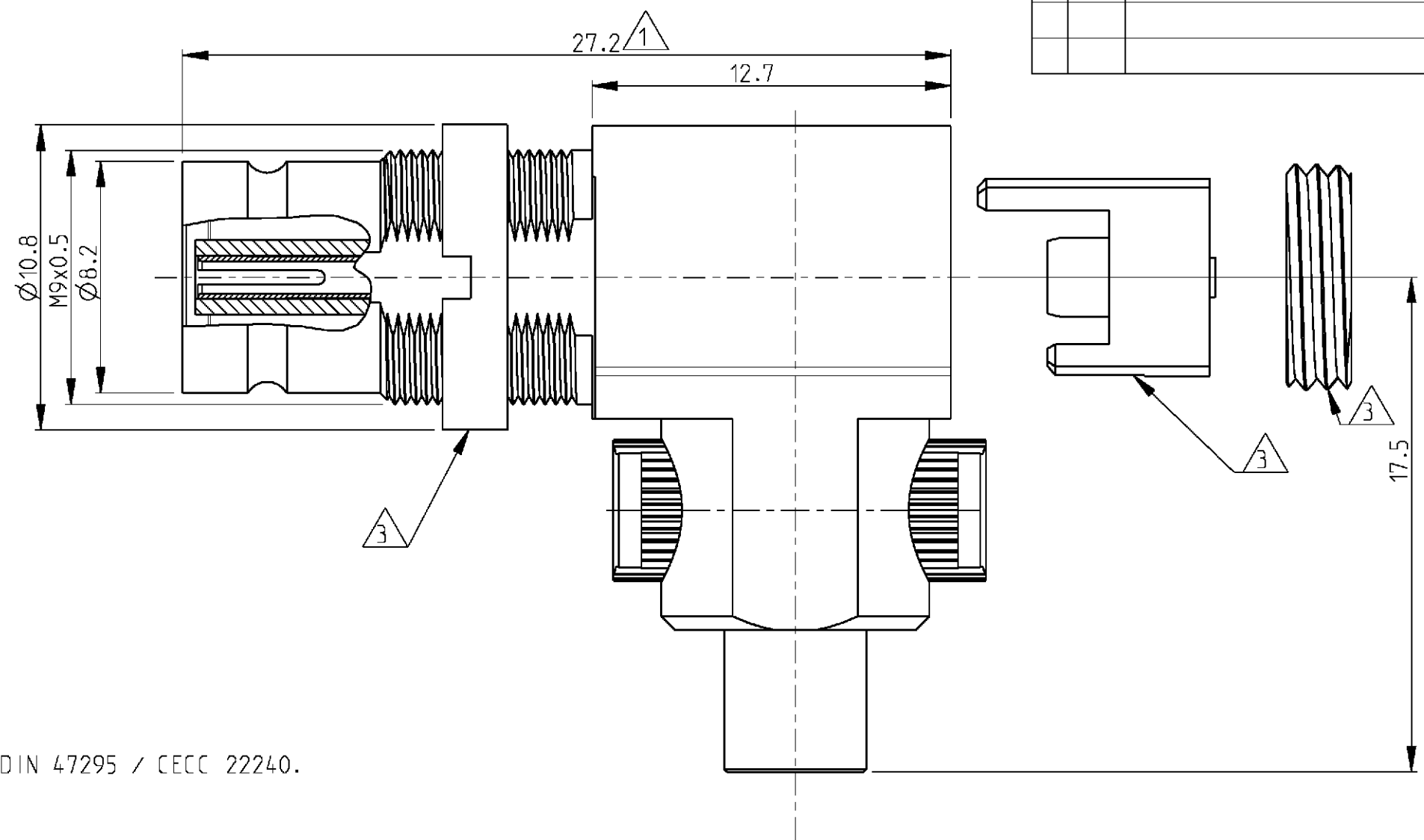
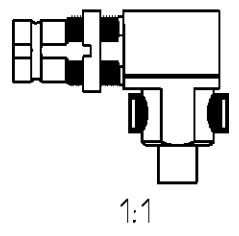
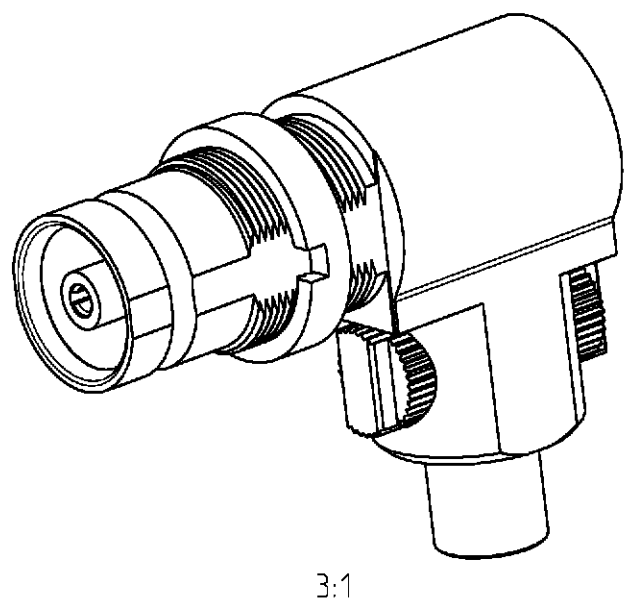


THIS DRAWING IS UNPUBLISHED. RELEASED FOR PUBLICATION 2000
 © COPYRIGHT 2000 BY TYCO ELECTRONICS CORPORATION. ALL RIGHTS RESERVED.

LOC	DIST	REVISIONS			
P	LTR	DESCRIPTION	DATE	DWN	APVD
GW	-	A	-	05APR2001	BL KM






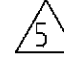
- 5 Packed in tray
- 4) Mating face according to DIN 47295 / CECC 22240.
- 3 Supplied as loose part
- 2) All dimensions are maximum
- 1 Dimension when fully constrained.


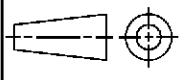


<small>THIS DRAWING IS A CONTROLLED DOCUMENT FOR TYCO ELECTRONICS CORPORATION IT IS SUBJECT TO CHANGE AND THE CONTROLLING ENGINEERING ORGANIZATION SHOULD BE CONTACTED FOR THE LATEST REVISION.</small>		DWN B. Lenvain 29MAR2001 CHK K. Mattheeuws 05APR2001 APVD R. Leeman 05APR2001		tyco Tyco Electronics Electronics Oostkamp - Belgium	
DIMENSIONS: mm 		TOLERANCES UNLESS OTHERWISE SPECIFIED: 0 PLC ± 1 PLC ± 2 PLC ± 3 PLC ± 4 PLC ± ANGLES ±		NAME Right angled cable jack 1.6/5.6 with IDC connection	
MATERIAL -		FINISH -		PRODUCT SPEC - APPLICATION SPEC 114-71027 WEIGHT -	
		CUSTOMER DRAWING		SIZE A3 CAGE CODE 00779 DRAWING NO. C-1-1393757-6	RESTRICTED TO -
				SCALE 5/1	SHEET 1 OF 2 REV A

THIS DRAWING IS UNPUBLISHED. RELEASED FOR PUBLICATION 2000
 © COPYRIGHT 2000 BY TYCO ELECTRONICS CORPORATION. ALL RIGHTS RESERVED.

LOC	DIST	REVISIONS			
P	LTR	DESCRIPTION	DATE	DWN	APVD
	-	SEE SHEET 1	-	-	-

Old part number	Tyco part number	Description	Material	Plating	Cable type
V23612-A811-G76A 	1-1393757-7 	Outer conductor	Brass	1 µm Au min in contact area	02Y (sT) CY 0.45/2.0
		Center conductor	CuBe	1 µm Au min in contact area	
		Dielectric	PEEK/PC	-	
V23612-A811-G76	1-1393757-6	Outer conductor	Brass	1 µm Au min in contact area	02Y (sT) CY 0.45/2.0
		Center conductor	CuBe	1 µm Au min in contact area	
		Dielectric	PEEK/PC	-	
V23612-A811-A24A 	1-1393757-5 	Outer conductor	Brass	1 µm Au min in contact area	R1-T 2.0 LI-75 k TZC 75025-315/1.95 FH/HF
		Center conductor	CuBe	1 µm Au min in contact area	
		Dielectric	PEEK/PC	-	
V23612-A811-A24	1-1393757-4	Outer conductor	Brass	1 µm Au min in contact area	R1-T 2.0 LI-75 k TZC 75025-315/1.95 FH/HF
		Center conductor	CuBe	1 µm Au min in contact area	
		Dielectric	PEEK/PC	-	

<small>THIS DRAWING IS A CONTROLLED DOCUMENT FOR TYCO ELECTRONICS CORPORATION. IT IS SUBJECT TO CHANGE AND THE CONTROLLING ENGINEERING ORGANIZATION SHOULD BE CONTACTED FOR THE LATEST REVISION.</small>		DWN B. Lenvain 29MAR2001 CHK K. Mattheeuws 09APR2001 APVD R. Leeman 09APR2001		 Tyco Electronics Oostkamp - Belgium	
DIMENSIONS: mm 		TOLERANCES UNLESS OTHERWISE SPECIFIED: 0 PLC ± 1 PLC ± 2 PLC ± 3 PLC ± 4 PLC ± ANGLES ±		NAME Right angled cable jack 1.6/5.6 with IDC connection	
MATERIAL -		FINISH -		PRODUCT SPEC - APPLICATION SPEC - WEIGHT -	
		CUSTOMER DRAWING		SIZE A3 CAGE CODE 00779 DRAWING NO. C-1393757-16	RESTRICTED TO - SCALE 5/1 SHEET 2 OF 2 REV A