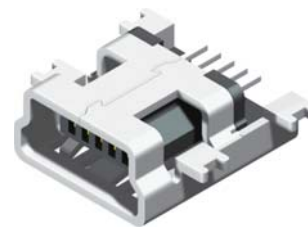
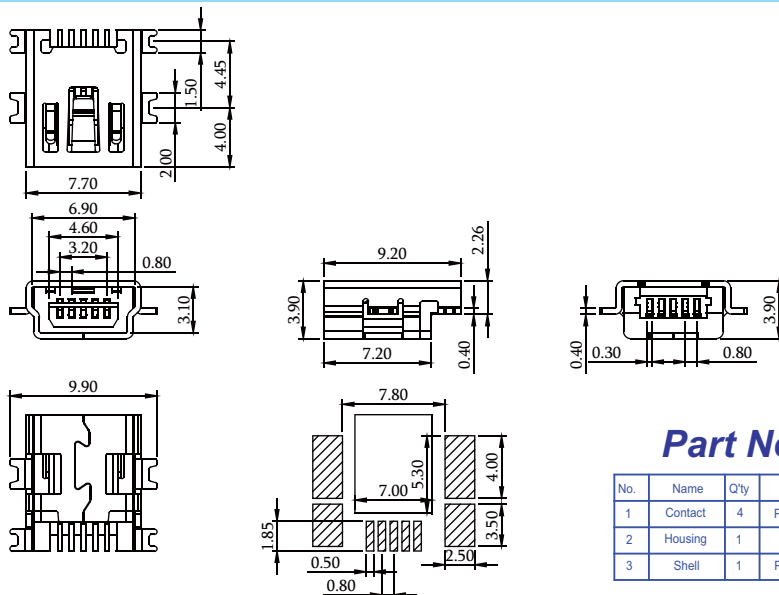


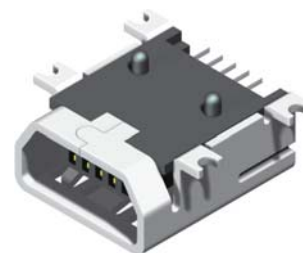
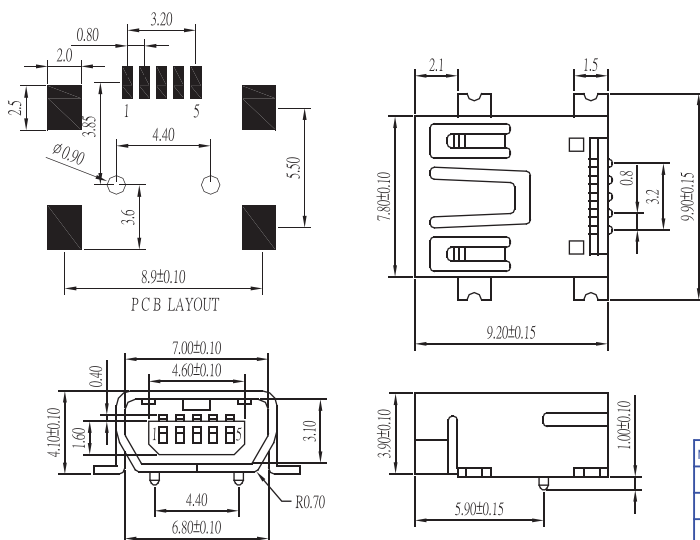
Mini USB Female SMT 5P Sink B Type



Part No.:MUSB-BS-5C1-U

No.	Name	Q'ty	Material	Remarks & Thickness	Finish
1	Contact	4	Phosphor Bronze	T=0.25mm	Gold Flash all over
2	Housing	1	LCP	UL 94-VO	Gray
3	Shell	1	Phosphor Bronze	T=0.40mm	Nickel Plated

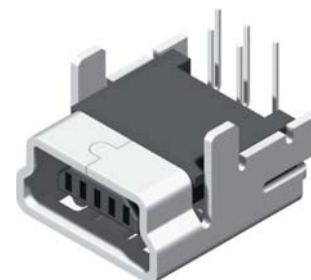
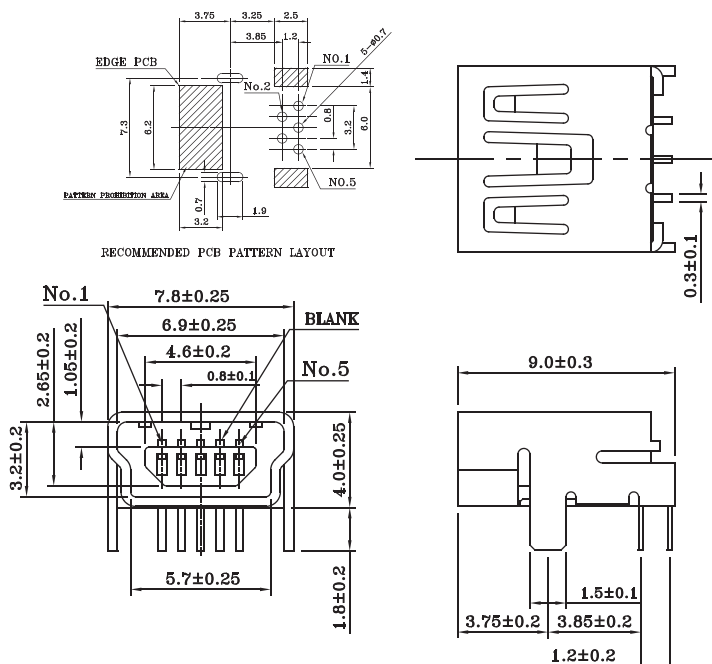
Mini USB Female SMT 5P AB Type



Part No.:MUSB-F5M-ABG-U

No.	Name	Q'ty	Material	Remarks & Thickness	Finish
1	Contact	4	Phosphor Bronze	T=0.25mm	Gold Flash all over
2	Housing	1	LCP	UL 94-VO	Gray
3	Shell	1	Phosphor Bronze	T=0.40mm	Nickel or Tin Plated

Mini USB Female Dip 90° 5P B Type



Part No.:MUSB-BD-5-U

No.	Name	Q'ty	Material	Remarks & Thickness	Finish
1	Housing	1	Nylon 9T G.F		Black
2	Pin Term.	5	Phos. Bronze t:0.25mm	Ni:1-1.5u;Ti:3u; Gold:30u	Gold/Tin Plated
3	Shell	1	Brass t:0.4		Ni:2-3u; Nickel Plated