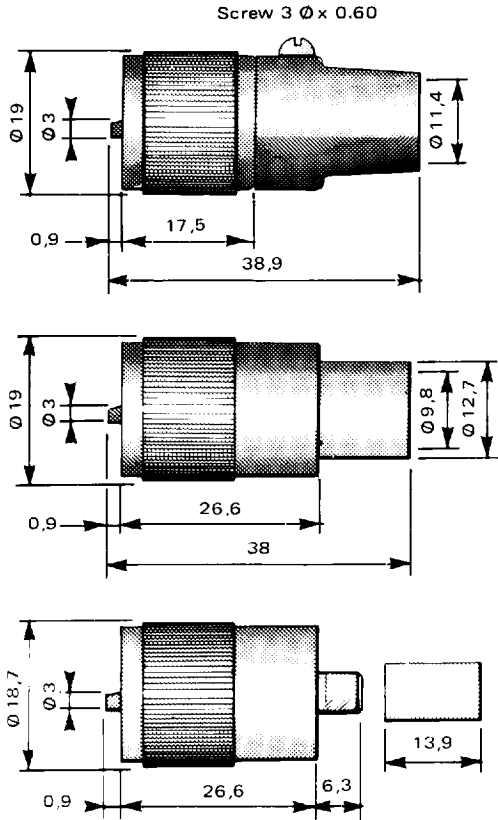


# UHF series

T : PTFE  
 B : Bakelite  
 St : Styramic

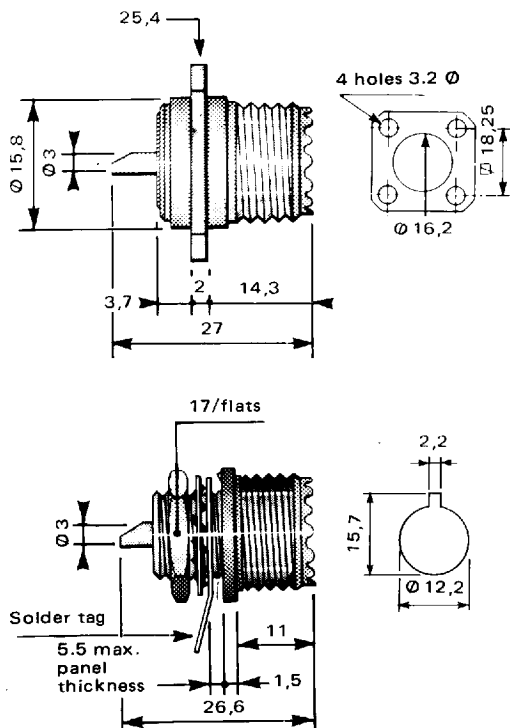
CODE No.	MIL REF.	TYPE	ASSEMBLY CODE	CABLE GROUP Ø	INSULATOR	WEIGHT (g)
----------	----------	------	---------------	---------------	-----------	------------

## STRAIGHT PLUGS



R 155 003	PL 259 A		M01	10/50 + 75 Ω	T	31
R 155 004	PL 259 B		M01	10/50 + 75 Ω	B	24
R 155 005	PL 259 T		M01	10/50 + 75 Ω	T	25
R 155 074		Crimp	M04	6/75 Ω	T	24

## RECEPTACLES



R 155 404	SO 239 B	Square flange - solder pot			B	22,5
R 155 405	SO 239 T	Square flange - solder pot			T	22
R 155 560		Bulkhead - solder pot			T	9,5