

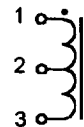
PART NUMBER	TURNS	INDUCTANCE (mH)	TEST LEVEL (V) †	DCR (Ω)	R <sub>T</sub> (Ω)	SCHEMATIC
*1C30	30	1.8	0.015	0.3	30	1
*1C50	50	5	0.025	0.7	50	1
*1C100	100	20	0.050	1.4	100	1
*1C200	200	80	0.100	4.5	200	1
*1C400	400	320	0.200	10.0	400	1
*1C600	600	1080	0.300	20.0	600	1
*2C30	30CT	1.8	0.015	0.3	30	2
*2C50	50CT	5	0.025	0.7	50	2
*2C100	100CT	20	0.050	1.4	100	2
*2C200	200CT	80	0.100	4.5	200	2
*2C400	400CT	320	0.200	10.0	400	2
*2C600	600CT	1080	0.300	20.0	600	2

Current transformers are used to sense a current in a conductor and provide a voltage which is proportional to that current, while providing high voltage isolation. These current transformers are suitable for switch mode power supply applications and are rated for 130° C operating temperature. Center tap models are also available.

SCHEMATIC 1

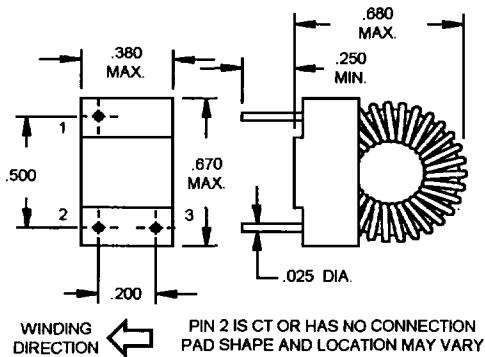


SCHEMATIC 2



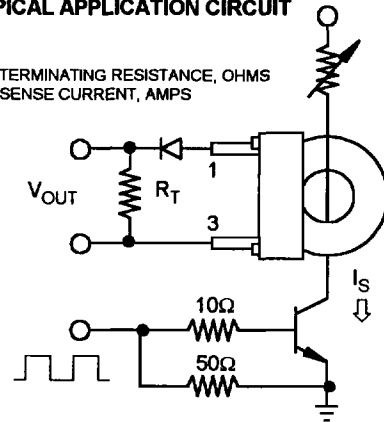
† Test frequency is 1 kHz.

## STYLE E

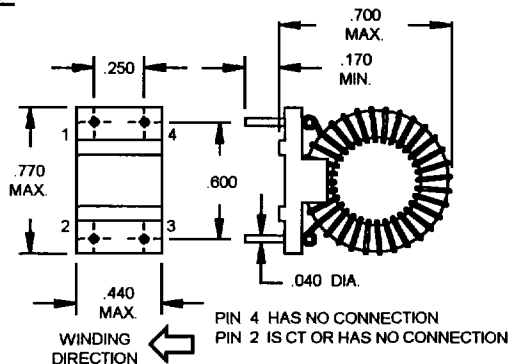


## TYPICAL APPLICATION CIRCUIT

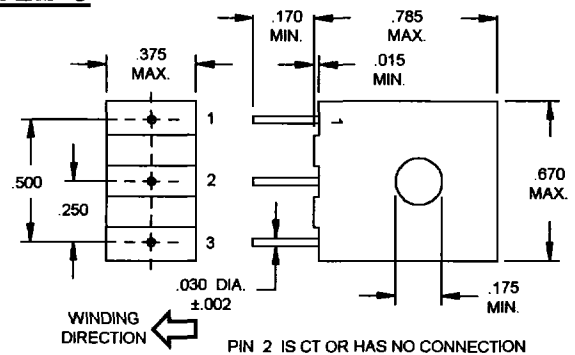
R<sub>T</sub> = TERMINATING RESISTANCE, OHMS  
I<sub>s</sub> = SENSE CURRENT, AMPS



## STYLE F



## STYLE J



## PART NUMBER ORDERING INFORMATION

\* Add style prefix (from this page) to part number

EXAMPLE: **E** 1 **C** 30  
STYLE \_\_\_\_\_ TURNS

SCHEMATIC \_\_\_\_\_ SIZE

Dimensions are in inches