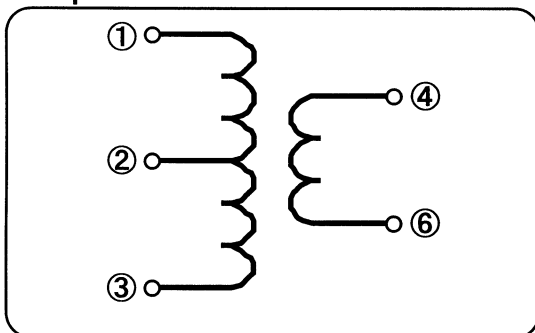


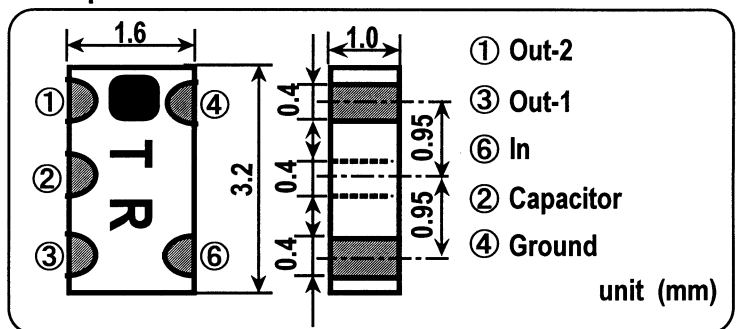
800 / 960 MHz Band Chip Multilayer RF Transformer

Model No. SLT-090H

Equivalent Circuits



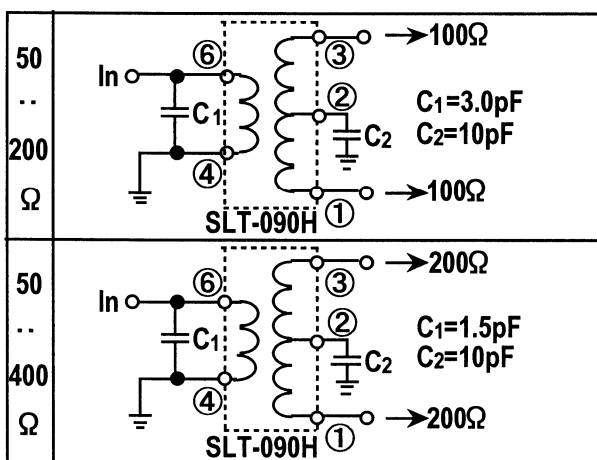
Shape & Size



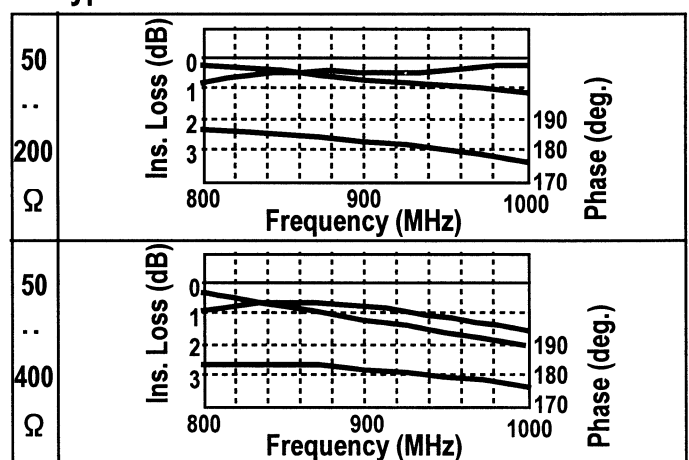
Specifications

Impedance	Frequency Range(MHz)	Matching Capacitance	Insertion Loss	Amp. Balance	Phase Balance	Handling Power	Temperature Range
50 Ω : 200 Ω	880-960	C ₁ =3.0pF C ₂ =10pF	3.0dB Max. (1.0dB Typ.)	2.0dB Max. (1.0dB Typ.)	180±10deg. (180±5deg.Typ.)	200mW Max.	-35 ~ +85 °C
50 Ω : 400 Ω	800-960	C ₁ =1.5pF C ₂ =10pF	4.0dB Max. (2.0dB Typ.)	1.5dB Max. (0.5dB Typ.)	180±10deg. (180±5deg.Typ.)	200mW Max.	-35 ~ +85 °C

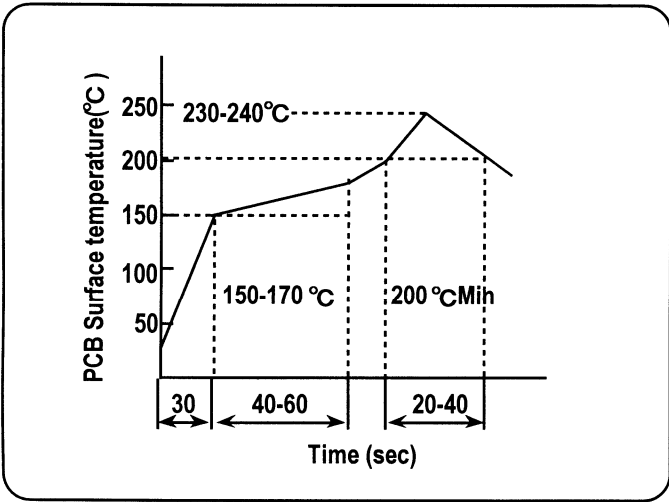
Measurement Circuit



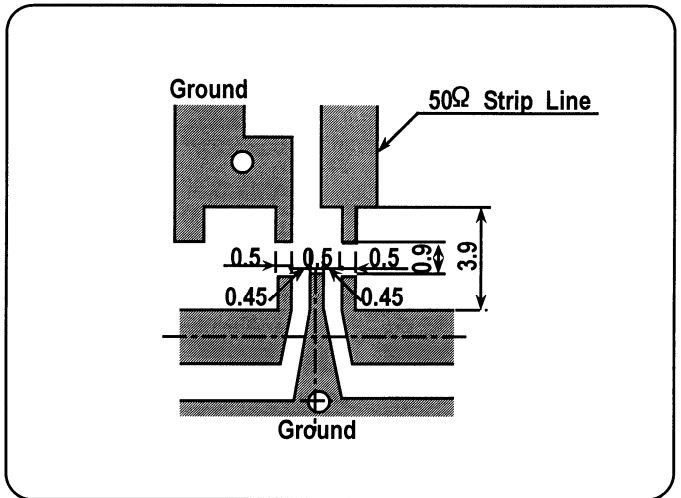
Typical Data



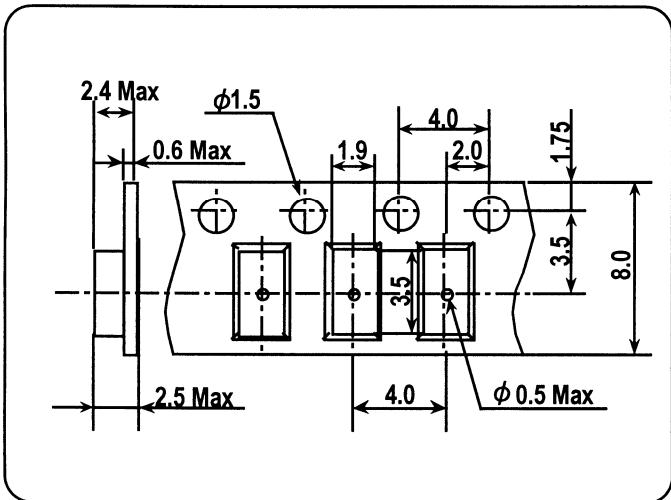
Temperature profile of reflow soldering



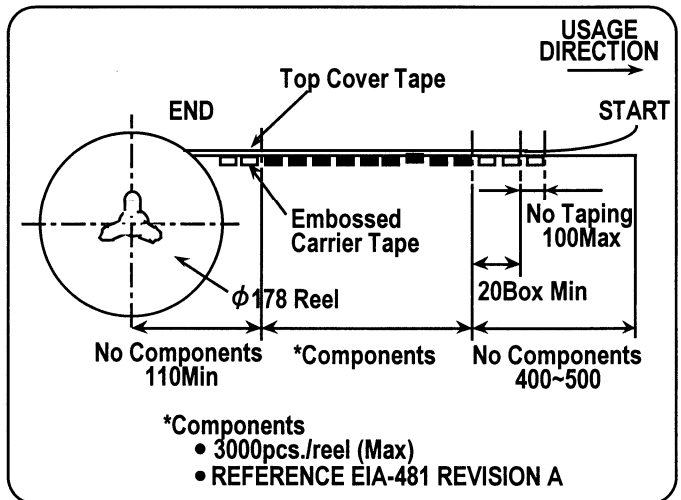
Foot Pattern



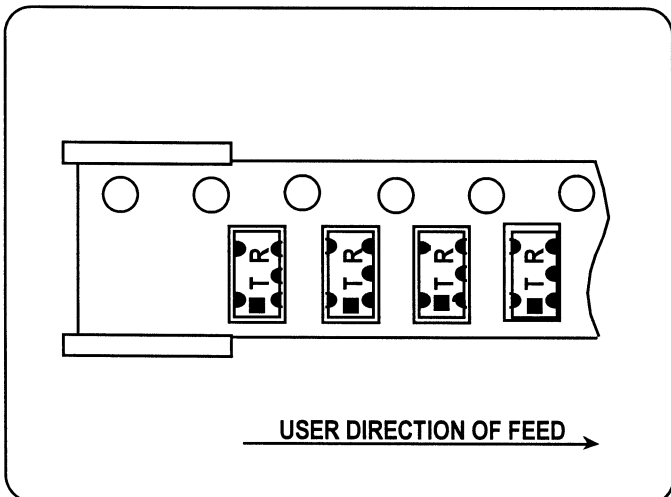
Embossed Carrier Tape Dimensions



Package



Setting Direction



Applicable Model No.

***SLT-090H**