

This document, including the design, configuration and mechanical features revealed herein are the sole, confidential and proprietary property of Tru-Connector Corporation. Reproduction or use thereof, in whole or part, is prohibited without the prior written consent of Tru-Connector Corporation.

REV	DESCRIPTION	DATE	APPROVAL
/	ORIGINAL ISSUE	5/9/97	RMK
A	CHANGED PER ECO 2363	9/15/03	AM

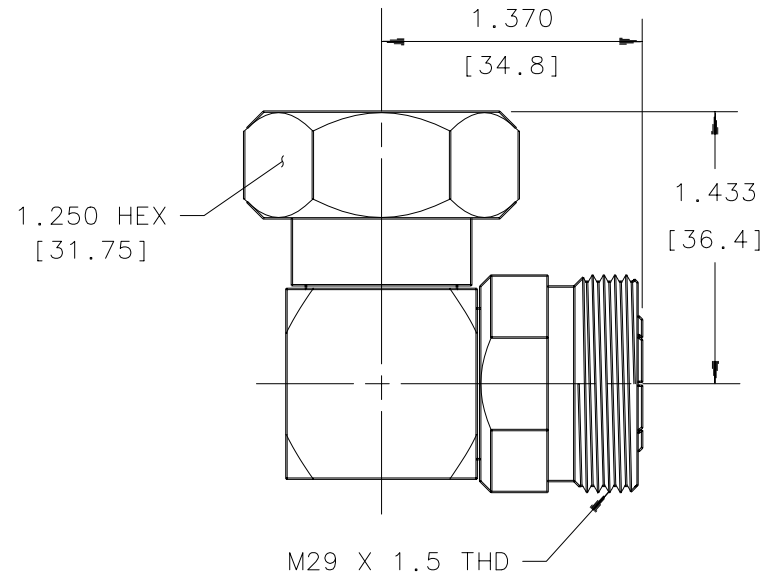
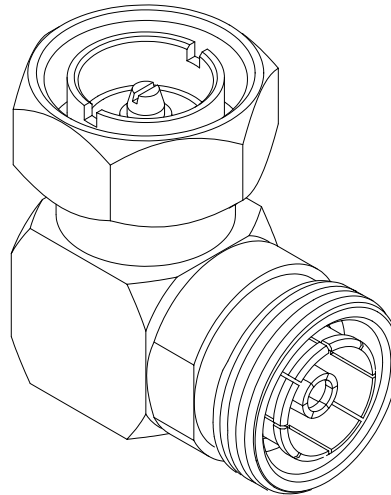
TECHNICAL DATA:

MATERIALS:

INSULATORS - TEFLON
 FEMALE CONTACT - BERYLLIUM COPPER
 OUTER CONTACT FINGERS - PHOSPHOR BRONZE
 OTHER METAL PARTS - BRASS

FINISH:

ALL METAL PARTS - SILVER PLATED



Material:

UNLESS OTHERWISE SPECIFIED:
 DIMENSIONS ARE IN INCHES
 CHAMFER FIRST THREAD 45°
 DIMENSIONS BEFORE PLATING

TOLERANCES:
 FRACTIONS: ±1/64
 .XX : ±.01
 .XXX: ±.005
 ANGLES: ±1/2°
 MACHINED SURFACES 63 ✓

THIRD ANGLE PROJECTION

DRAWN BY WWW	DATE 5/9/97
ENG APPROVAL RMK	DATE 5/9/97
MFG APPROVAL	DATE
OTHER APPROVAL	DATE
REFERENCE	

		TRU-CONNECTOR CORPORATION 245 LYNNFIELD STREET PEABODY, MASSACHUSETTS	
		TITLE	
CONNECTOR, COAXIAL, RF SERIES 7-16 ADAPTER, R/A (FEMALE-MALE)			
SIZE A	CAGE CODE 92180	DWG NO. TRU-7703	REV A
CAD FILE: SERIES 716-ADAPTER		SCALE	SHEET 1 of 1