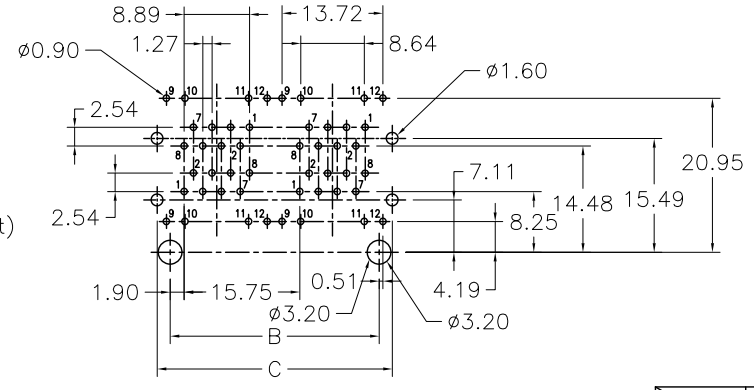
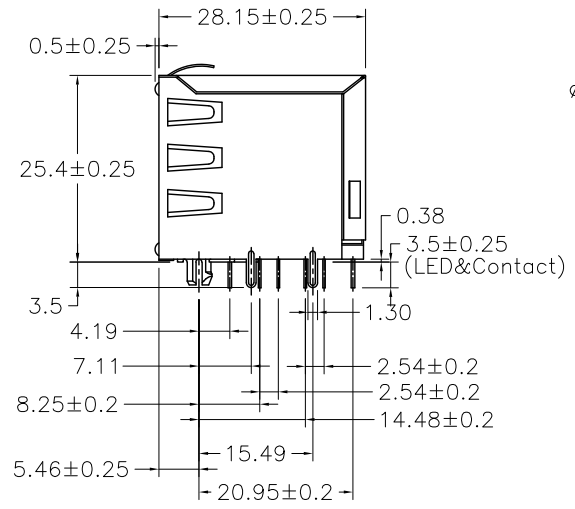
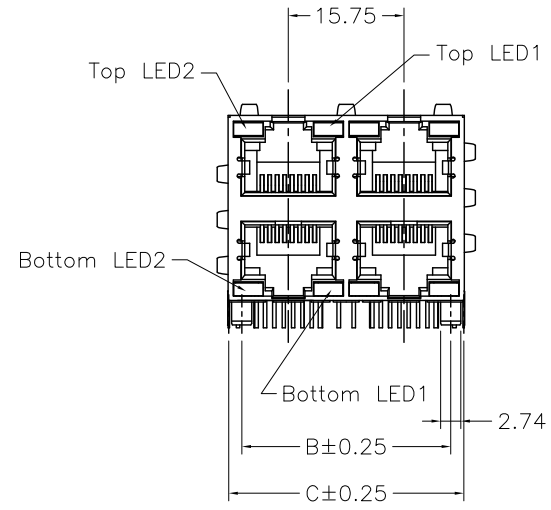
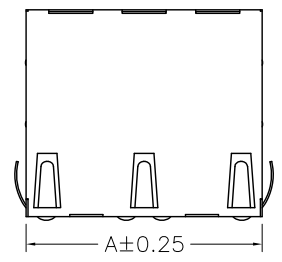


REV.	SPECIFICATION	ECN NO.	APPD.

Material:
Housing(Bottom): PA46, UL94V-0.
(Top): PBT, UL94V-0.
Contacts: Phosphor Bronze.Gold Plated on Contact Area and Gold Flash on solder tail over Nickel 50μ".
Shield: Brass, Nickel plated.
Electrical Characteristics:
Voltage Rating: AC 150V.
Current Rating: 1.5 AMP.
Dielectric Withstanding Voltage: 1000V for 1 minute.
Insulator Resistance: 500MΩ min. at DC 500V.
Contact Resistance: 30mΩ max. at DC 100mA.
Operating Temperature: -40°C~+85°C.
Mechanical Characteristics:
Mating Force: 2.5 kgf max.
Durability: 750 Cycles.
***RoHS Compliant**



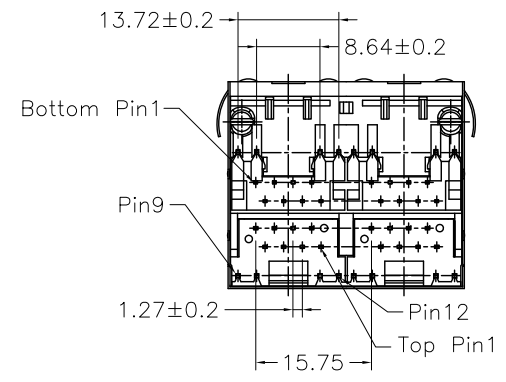
P.C. Board Layout

Port Dim	2	4
A	16.51	32.15
B	12.70	28.45
C	16.26	32.00

LED Characteristic	
NO.	NODE
LED1	11 + - 12
LED2	9 + - 10

8949-ID3 8 8 x -30 S 1 x B A -A015

- Series
- Position
- 8: 8 Contacts loaded
- 2: 2X1 = 2 Ports
- 4: 2X2 = 4 Ports
- 30: 30μ" Gold Plated
- S: Shield
- Internal Code
- A: Tray Package
- B: Black
- A: LED1: Green; LED2: Yellow
- B: LED1: Green; LED2: Green
- C: LED1: Yellow; LED2: Green
- D: LED1: Yellow; LED2: Yellow
- E: LED1: G+Y; LED2: Green
- 1: With Grounding



Tolerances	Dwg. No.	8949D02179	Title:
x = ±0.50	Projection		8949-ID3 Series
.x = ±0.25	Unit	mm	Stacked Ganged Jack
.xx = ±0.15	Scale	1:1	With LED
	Drawn By	Peggy 04/17'17	① 563

OUPIN			
OUPIN ELECTRONIC(KUNSHAN) CO., LTD.			
P/N: 8949-ID388x-30S1xBA-A015			
SHEET	1/1	Ver. No.	A3