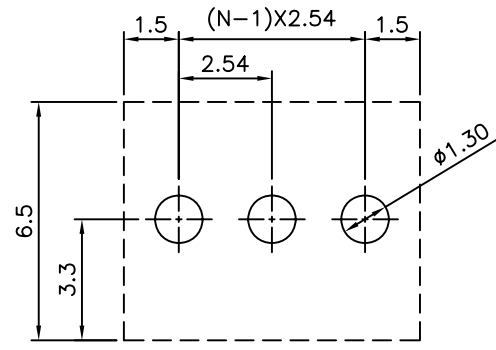
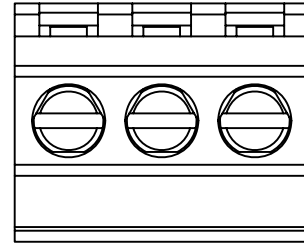
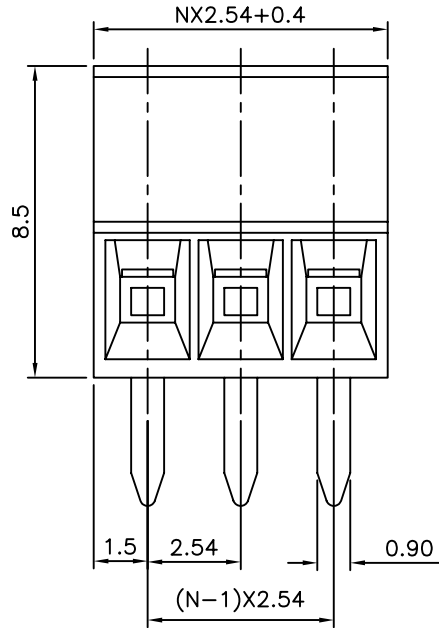
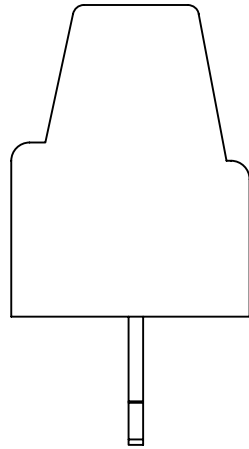


SPECIFICATIONS

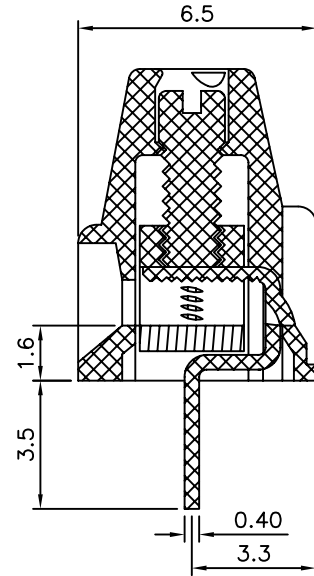
Voltage Rating: 125VAC
 Current Rating: 6A
 Solid Wire(AWG): 20-30
 Standed Wire(AWG): 20-30
 Torque: 1.3Lb-In
 Screw: M1.6
 Wire Strip Length: 4-5mm
 Withstanding Voltage: 1.25KV
 Operating Temperature: -30°C To +105°C
 Soldering Temperature: 245±10°C/5 Sec
 (Metal Housing): Brass(CuZn)
 Terminal Screw: Steel Zinc Plating"-Slot Type
 Contacts: Brass
 Surface Of Solder Tail: Tin Plated
 Insulator(Housing): Thermoplastic(UL94V-0)



P.C.B Layout



N=Number Of Contacts



AUK A MEMBER OF AUK GROUP
太聯事業股份有限公司
AUK CONTRACTORS CO., LTD.

CATEGORY		APPROVED BY MEI		UNLESS OTHERWISE SPECIFIED TOLERANCES ARE X. ±0.50 .X ±0.30 .XX ±0.10 X.° ±1°
PART No. TB25XXA		CHECKED BY HZF		
DRAWING No. TB25XXA		DRAWING BY PEGA		
SCALE NONE	REV.	A0	UNIT mm	

NO.	REV.	REVISIONS	CHK	DATE
△ A0		NEW RELEASE	HZF	12/14/2006