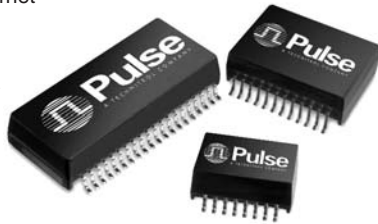






Star Magnetics™ 10/100BASE-T Transformer Modules with PoE* Option and 1:1 Turns Ratios

*Power over Ethernet



-  RoHS-5 peak reflow temperature rating 235°C
-  RoHS-6 peak reflow temperature rating 245°C
-  Meets IEEE 802.3 specification
-  Compact footprint

Electrical Specifications @ 25°C — Operating Temperature 0°C to 70°C

RoHS-5 ⁶ Compliant Part Number	RoHS-6 ⁷ Compliant Part Number	PoE	Number of Ports	Insertion Loss (dB MAX)			Return Loss (Z out = 100 Ω ±15%)			Crosstalk (adjacent channels, dB MIN)			Hipot (VRMSMIN)
				0.1 MHz	1 MHz	100 MHz	30 MHz	60 MHz	80 MHz	30 MHz	60 MHz	100 MHz	
H0055 ¹	H0055NL ^{1,8a}	No	1	-2.5	—	-1.0	-16	-10	-10	-45	-40	-33	1500
—	H0056NL ^{2,8a}	No	1	—	-0.8	-0.9	-16	-10	-10	-45	-40	-33	1500
H1259	H1259NL ^{8a}	No	4	-1.2	—	-1.4	-16	-10	-10	-45	-40	-33	1500
HX1259 ³	HX1259NL ^{8a}	No	4	-1.2	—	-1.4	-16	-10	-10	-45	-40	-33	1500
H1260	H1260NL ^{8a}	No	1	-1.1	—	-1.1	-16	-10	-10	-35	-30	-30	1500
HX1260 ³	HX1260NL ^{8a}	No	1	-1.1	—	-1.1	-16	-10	-10	-35	-30	-30	1500
H1265	H1265NL ^{7,8a}	No	1	-1.3	—	-1.0	-16	-10	-10	-40	-38	-33	1500
H1266	H1266NL ^{7,8a}	No	4	-1.2	—	-1.0	-16	-10	-10	-45	-40	-30	1500
H1278	H1278NL ^{7,8a}	No	1	-1.1	—	-1.0	-16	-10	-10	-45	-40	-33	1500
H1305	H1305NL ^{8a}	No	2	-1.2	—	-1.4	-16	-10	-10	-45	-40	-33	1500
HX1305 ³	HX1305NL ^{8a}	No	2	-1.2	—	-1.4	-16	-10	-10	-45	-40	-33	1500
H2260	H2260NL ^{8a}	Yes ⁴	1	-1.1	—	-1.1	-16	-10	-10	-35	-30	-30	1500
HX2260 ³	HX2260NL ^{7,8a}	Yes ⁴	1	-1.1	—	-1.1	-16	-10	-10	-35	-30	-30	1500
H2305	H2305NL ^{8a}	Yes ⁴	2	-1.2	—	-1.4	-16	-10	-10	-45	-40	-33	1500
HX2305 ³	HX2305NL ^{8a}	Yes ⁴	2	-1.2	—	-1.4	-16	-10	-10	-45	-40	-33	1500

- H0055 is designed to meet 200 μH nom.
- H0056NL is designed to meet 300 μH nom.
- Parts offer extended temperature of operation -40 to +85°C
- These parts are compliant to IEEE802.3af Power over Ethernet (PoE) standard.
- For **Tape & Reel packaging** add a "T" suffix to the end of the part number when ordering, e.g. H0056NLT
- RoHS-5:** Product does not contain 5 out of the 6 banned substances specified in the RoHS directive (product contains lead in applications considered solder).
- RoHS-6:** Product does not contain 5 out of the 6 banned substances specified in the RoHS directive. Some internal connections may contain lead in high-temperature solder (solder alloys containing more than 85% lead).
- MSL=Moisture Sensitivity Level:** a=1, b=2, c=3, d=4, e=5

Mechanicals

H0055/NL

SUGGESTED LAND PATTERN

H0056NL

SUGGESTED LAND PATTERN

Weight355 grams
Tape & Reel . . .1000/reel
Tube40/tube

Dimensions: $\frac{\text{Inches}}{\text{mm}}$ Unless otherwise specified, all tolerances are $\pm \frac{.010}{0,25}$

Weight3 grams
Tape & Reel . . .2000/reel
Tube40/tube

Star Magnetics™

10/100BASE-T Transformer Modules

with PoE* Option and 1:1 Turns Ratios



*Power over Ethernet

Mechanicals (continued)

H1259/NL, HX1259/NL, H1266/NL

Weight 4.8 grams
Tape & Reel 250/reel
Tube 15/tube

H1260//NL, HX1260//NL, H2260/NL, HX2260/NL

Weight 2.8 grams
Tube 45/tube
Tape & Reel 600/reel

Dimensions: $\frac{\text{Inches}}{\text{mm}}$ Unless otherwise specified, all tolerances are $\pm \frac{.010}{0,25}$

H1265/NL

Weight 3.0 grams
Tube 20/tube
Tape & Reel 300/reel

H1278/NL

Weight 1.7 grams
Tape & Reel 350/reel
Tube 30/tube

Dimensions: $\frac{\text{Inches}}{\text{mm}}$ Unless otherwise specified, all tolerances are $\pm \frac{.010}{0,25}$

H1305/NL, HX1305/NL, H2305/NL, HX2305/NL

Weight 2.7 grams
Tape & Reel 300/reel
Tube 25/tube

Dimensions: $\frac{\text{Inches}}{\text{mm}}$
 Unless otherwise specified, all tolerances are $\pm \frac{.010}{0,25}$

Star Magnetics™

10/100BASE-T Transformer Modules

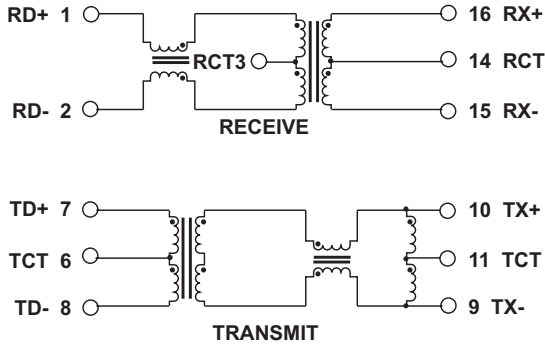
with PoE* Option and 1:1 Turns Ratios

*Power over Ethernet

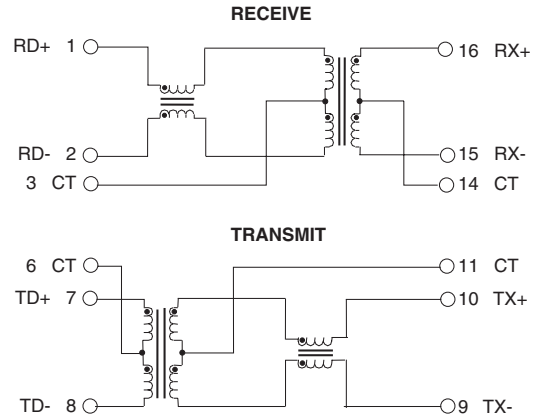


Schematics

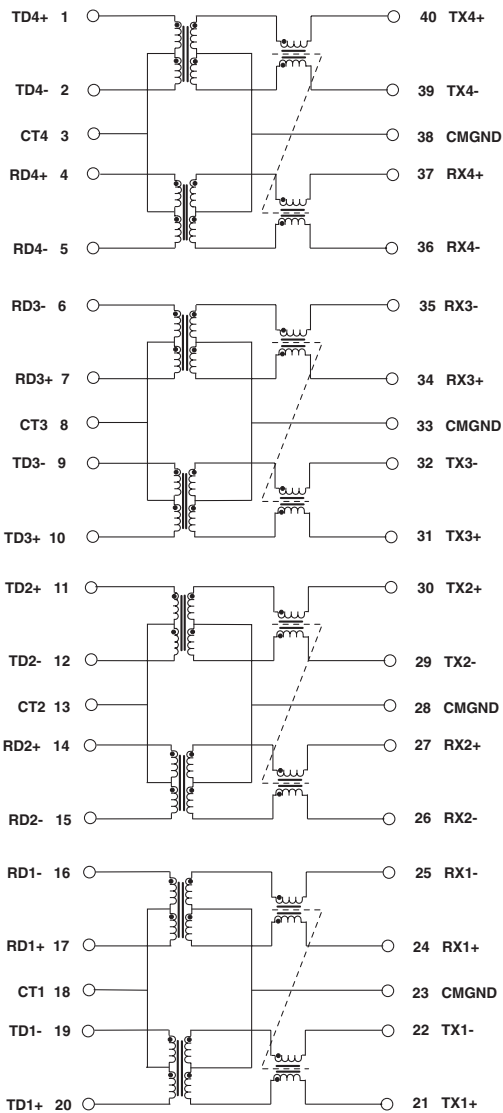
H0055/NL



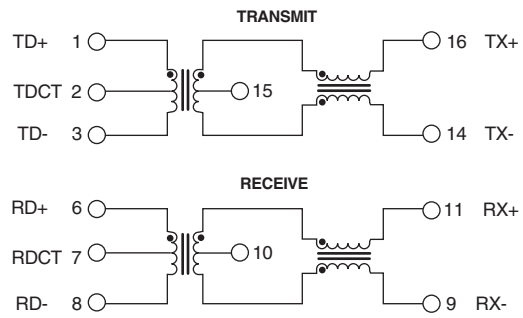
H0056NL



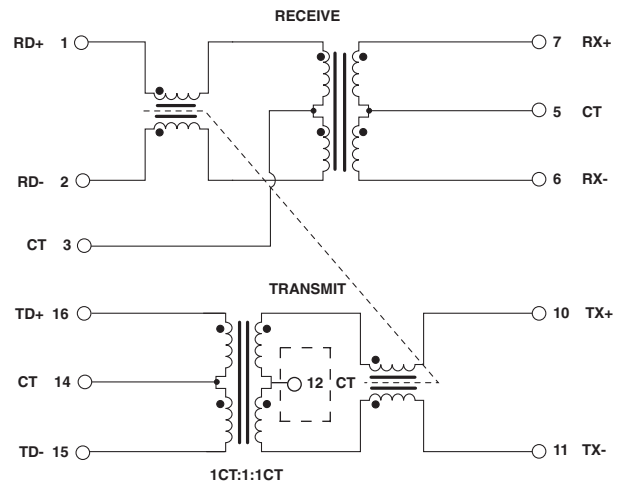
H1259/NL, HX1259/NL



H1260/NL, HX1260/NL



H1265/NL



H1265: 3-core design (T3 same toroid core)

Star Magnetics™

10/100BASE-T Transformer Modules

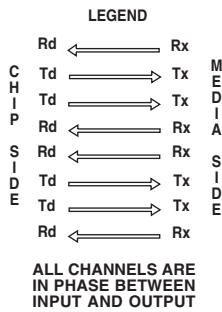
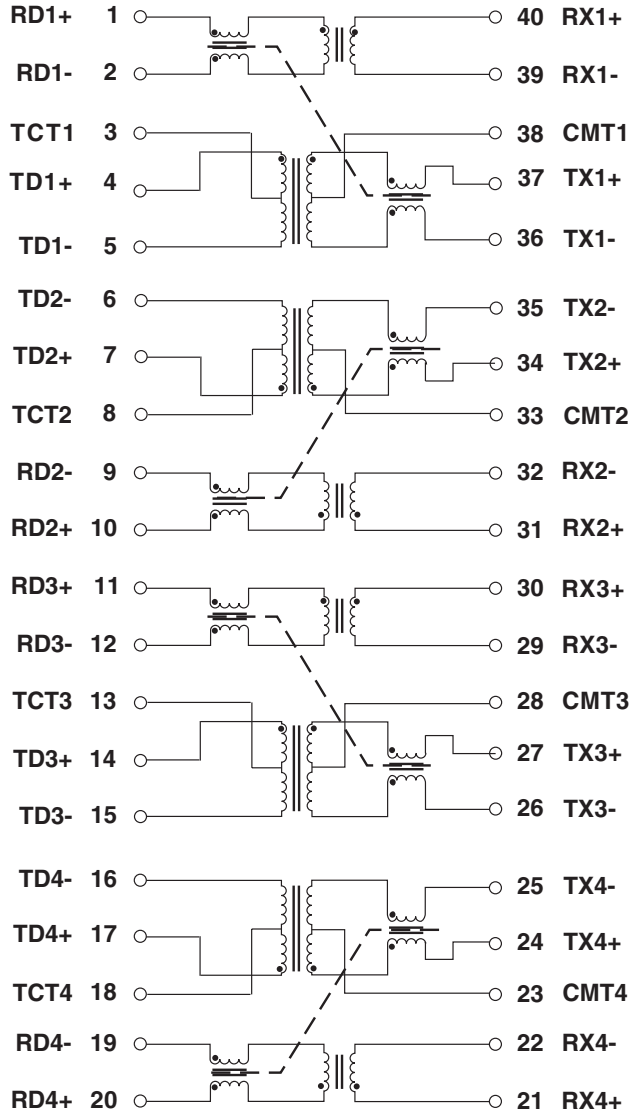
with PoE* Option and 1:1 Turns Ratios



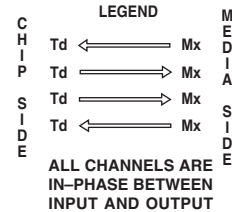
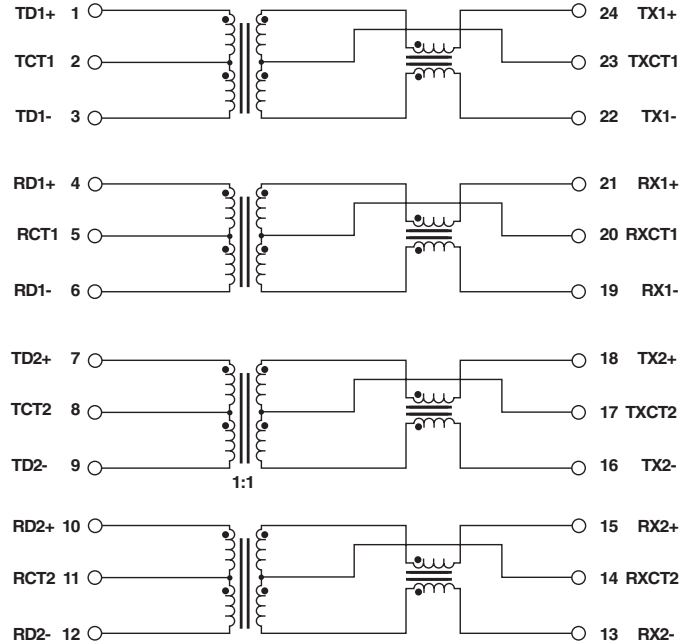
*Power over Ethernet

Schematics (continued)

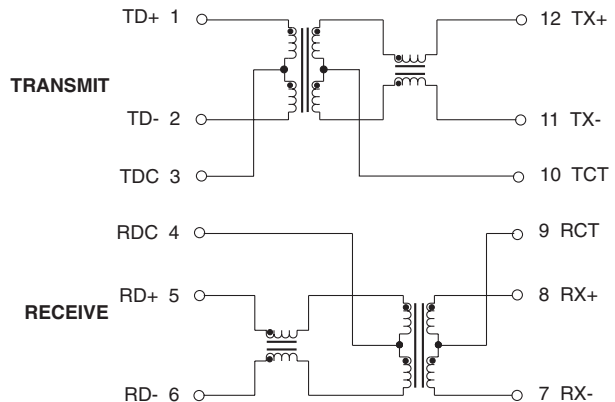
H1266/NL



H1305/NL, HX1305/NL



H1278/NL



Star Magnetics™

10/100BASE-T Transformer Modules

with PoE* Option and 1:1 Turns Ratios

*Power over Ethernet

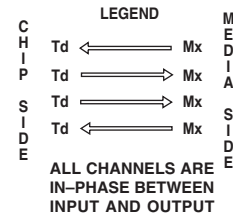
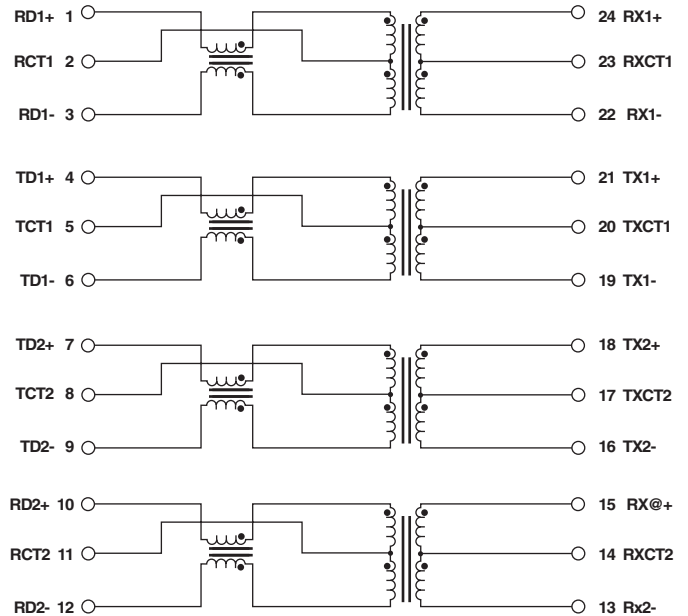


Schematics (continued)

H2260/NL, HX2260/NL



H2305/NL, HX2305/NL



For More Information:

Pulse Worldwide Headquarters 12220 World Trade Dr. San Diego, CA 92128 U.S.A. www.pulseeng.com Tel: 858 674 8100 Fax: 858 674 8262	Pulse Europe Einsteinstrasse 1 D-71083 Herrenberg Germany Tel: 49 7032 7806 0 Fax: 49 7032 7806 135	Pulse China Headquarters B402, Shenzhen Tech-Innovation International Tenth Kejinan Rd. High-Tech Industrial Park Nanshan District, Shenzhen China Tel: 86 755 33966678 Fax: 86 755 33966700	Pulse North China Room 1503 XinYin Building No. 888 YiShan Rd. Shanghai 200233 China Tel: 86 21 54643211/2 Fax: 86 21 54643210	Pulse South Asia 150 Kampong Ampat #07-01/02 KA Centre Singapore 368324 Tel: 65 6287 8998 Fax: 65 6280 0080	Pulse North Asia No. 26, Kao Ching Rd. Yang Mei Chen Taoyuan Hsien Taiwan R. O. C. Tel: 886 3 4641811 Fax: 886 3 4641911
--	---	---	--	--	--

Performance warranty of products offered on this data sheet is limited to the parameters specified. Data is subject to change without notice. Other brand and product names mentioned herein may be trademarks or registered trademarks of their respective owners.

© Copyright, 2007. Pulse Engineering, Inc. All rights reserved.