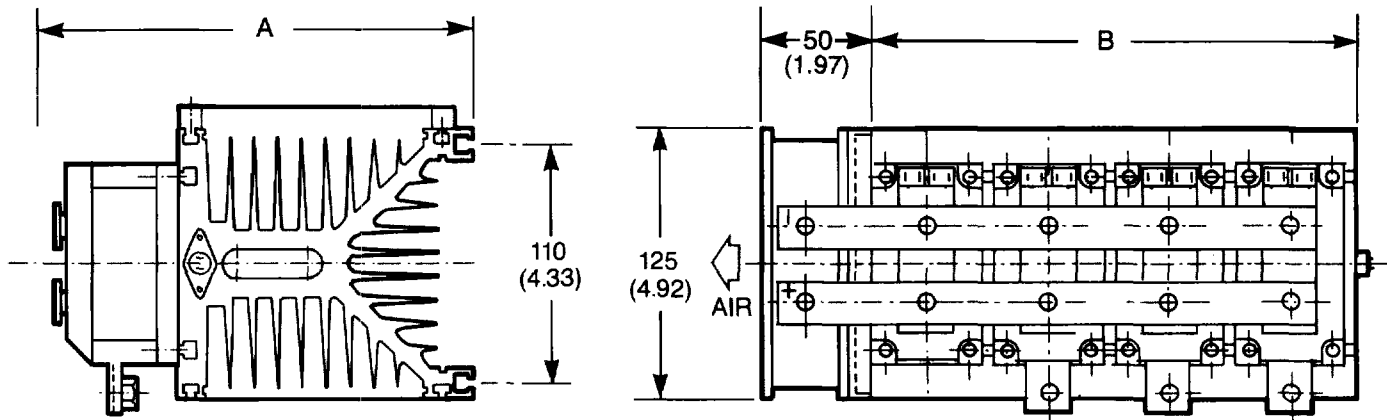


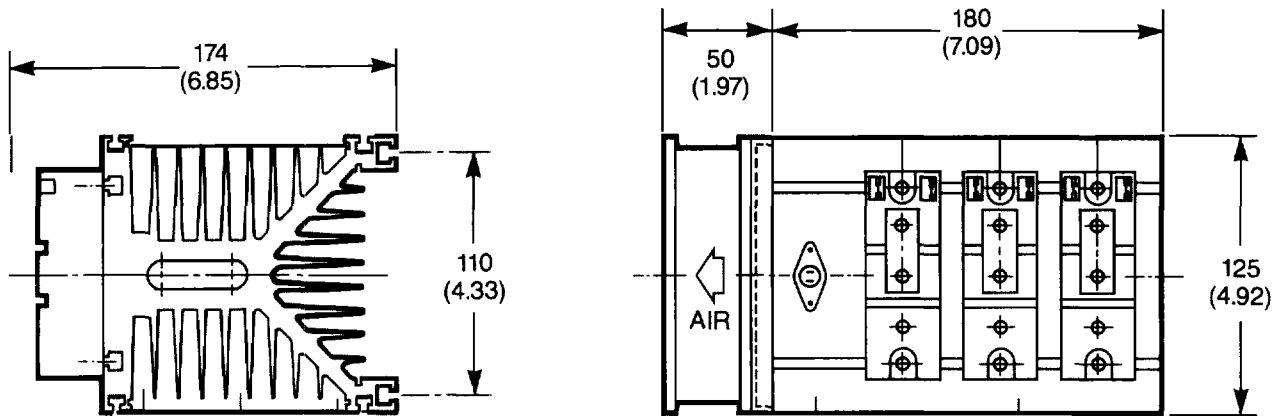
Standard and Custom Assemblies

3 ϕ Bridges with Insulated Modules



Part Number	Module Used	Natural Cooling	Forced Air Cooling	A	B
CT77T26A18BW4-12	IRKT 26	47 Adc	77 Adc	174	180
CT110T41A18BW4-12	IRKT 41	60 Adc	110 Adc	174	180
CT130T56A18BW4-12	IRKT 56	70 Adc	130 Adc	174	180
CT175T91A18BW4-12	IRKT 91	85 Adc	175 Adc	174	180
CT300T180A18BW4-12	IRKT 180	—	300 Adc	200	220

3 ϕ AC Controller with Insulated Modules



Part Number	Module Used	Natural Cooling	Forced Air Cooling
CPA60T26A18BA4-12	IRKT 26	—	60 ARMS
CPA85T41A18BA4-12	IRKT 41	—	85 ARMS
CPA100T56A18BA4-12	IRKT 56	55 ARMS	100 ARMS
CPA135T91A18BA4-12	IRKT 91	65 ARMS	135 ARMS
CPA160T132A18BA4-12	IRKT 132	—	160 ARMS
CPA185T161A18BA4-12	IRKT 161	—	185 ARMS

Dimensions in Millimeter and (Inches)