

BMS Pulse Transformer CEEH86



◆ Outline

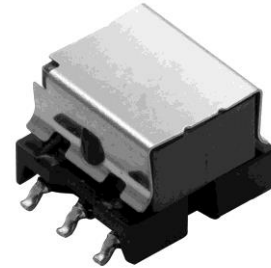
- Pulse transformer for Automobiles.

◆ Application

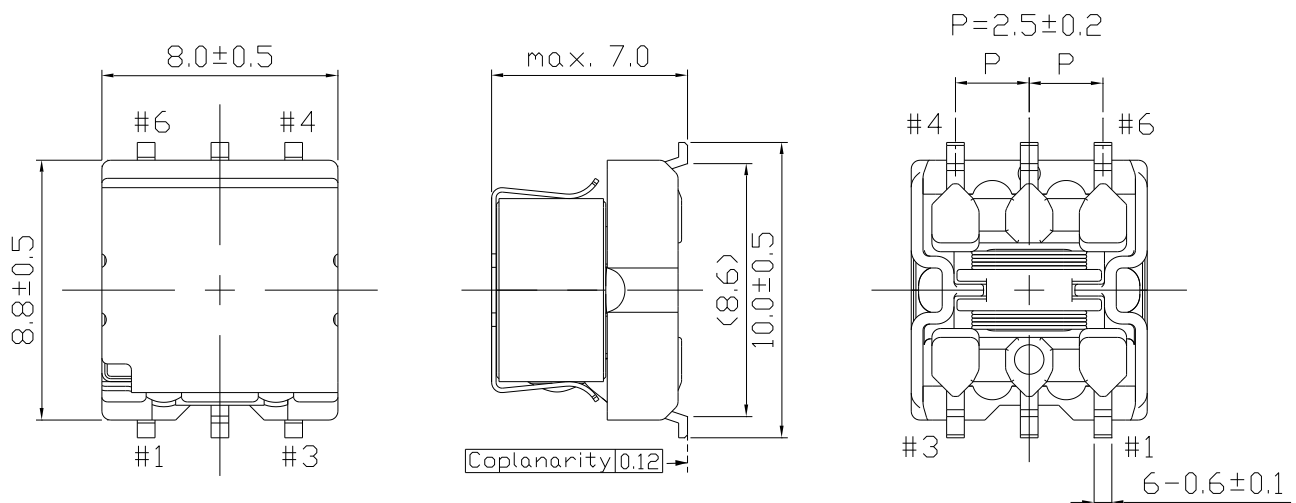
- Battery management system of automobiles

◆ Features

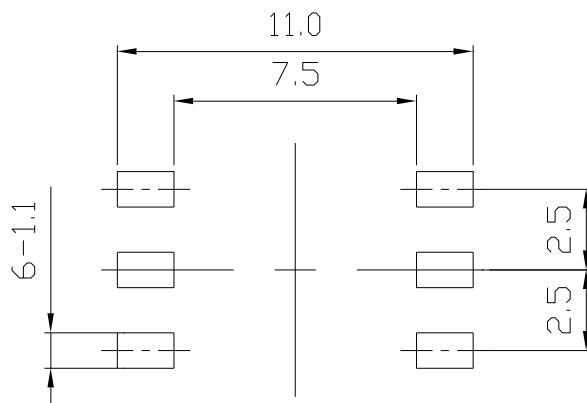
- 6 pins SMD type transformers within 0.12mm coplanarity
- Isolation voltage (Pri – Sec) AC 2500Vrms @ 60sec
- Working voltage up to DC600V
- Qualified AEC-Q200
- Operating Temperature: - 40deg. ~ +125deg. (including self-heating)
- Packing Quantity 400pcs per reel



◆ Dimensions [mm]

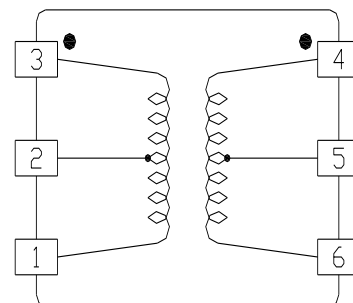


◆ Reference Land pattern [mm]



◆ Terminal connections (bottom view)

Winding ratio: 1:1:1:1



“●” is electric polarity.

Note : This specification is subject to change without notice. Please contact your nearest sales office for updated information when placing an order.

BMS Pulse Transformer CEEH86



◆ Specifications

Item		Specification						Testing condition
		CEEH86						
Part name		CEEH86-370	CEEH86-580	CEEH86-840	CEEH86-111	CEEH86-151	CEEH86P2	
Sumida Spec#		S-0674-5065	S-0674-5065	S-0674-5065	S-0674-5065	S-0674-5065	S-1557-0284	
Inductance	(1-3)	24 ~ 52 μ H	37 ~ 79 μ H	54 ~ 114 μ H	74 ~ 155 μ H	96 ~ 202 μ H	96 ~ 202 μ H	10kHz, 20mV
Stray Capacitance	(1-3)	* Max.4.0 pF	* Max.4.3 pF	Max.4.5 pF	Max.4.9 pF	Max.5.2 pF	Max.5.2 pF	40MHz, 20mV * 50MHz, 20mV
Interwinding Capacitance	(1-3:4-6)	Max.1.4 pF	Max.1.4 pF	Max.1.5 pF	Max.1.5 pF	Max.1.6 pF	Max.1.6 pF	100kHz, 1V
Leakage Inductance	(1-3)	Max.1.2 μ H	Max.1.9 μ H	Max.2.7 μ H	Max.3.6 μ H	Max.4.7 μ H	Max.4.7 μ H	100kHz, 20mV,(4-6)short
D.C.R.	(1-3)	Max.0.29 Ω	Max.0.37 Ω	Max.0.44 Ω	Max.0.51 Ω	Max.0.58 Ω	Max.0.58 Ω	at 20 deg.
Permitted current	(1-3)	DC 0.46 A	DC 0.41 A	DC 0.37 A	DC 0.35 A	DC 0.33 A	DC 0.33 A	When go through the current, the temperature rise is under $\Delta T=30^{\circ}C$
Withstand Voltage	(1,2,3-4,5,6)	AC 2,500 V, 60 sec or DC 3,500 V, 60 sec						0.5mA, 50Hz/60Hz
Turn Ratio	(1-3:4-6)	1 : 1						—
Recommended By		Sumida standard specifications	Sumida standard specifications	Sumida standard specifications	Sumida standard specifications	TI BQ76PL455A-Q1 BQ79606A-Q1 BQ79600-Q1 BQ79612-Q1 BQ79614-Q1 Sumida standard specifications	Panasonic AN84913 AN84914	—



For sales office information, please [click here](#) to visit our website.

Note : This specification is subject to change without notice. Please contact your nearest sales office for updated information when placing an order.