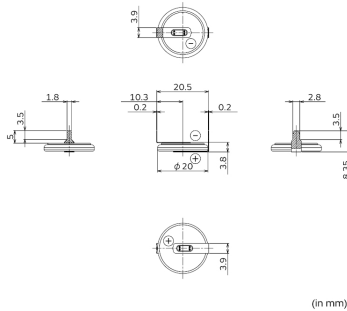


# CR2032-HO6

The standard lithium coin battery lineup includes 11 models, ranging from small size and thin types to high capacity models.



## Appearance & Shape



## Features

- Lightweight, High Voltage and High Energy Density**  
 The battery voltage is 3V, almost double that of normal alkaline or manganese batteries. This means that the number of batteries required for equipment can be halved for maximum space saving and weight reduction.
- Excellent Discharge Characteristics**  
 Voltage characteristics remain stable even for a long period of discharge, greatly improving the reliability of equipment that uses the battery. Such equipment is also maintenance-free (battery replacement is seldom required).
- Excellent Leakage Resistance**  
 The newly developed battery construction and electrolyte ensure maximum leakage resistance over a long span of time.
- Excellent Long-Term Reliability**  
 Carefully selected active materials are used for the active material as well as for the electrolyte. These materials are sealed by Murata's innovative technology to minimize battery self-discharge. The annual self-discharge rate at room temperature and normal humidity is less than 1% of the nominal capacity.

## Applications

Other Usage	●Automotive · Door sill strip ●IoT · Tracking devices · Sensors · Security ● Medical · Thermometers ●Others · Home electrical appliances/Multi- functional printer · Electronic price tags, POS systems
-------------	--

- UL Approved Parts**  
 Murata's Coin Manganese Dioxide Lithium Batteries are approved by UL. (UL1642 File No. MH12566)
- RoHS Directive / European Directives**  
 This product does not contain Mercury(Hg), Cadmium(Cd), nor Lead(Pb), and conforms to EC regulation values. (Directive 2006/66/EC, 2013/56/EU)  
 Battery pack are excluded from RoHS directive (DIRECTIVE 2011/65/EU OF THE EUROPEAN PARLIAMENT AND OF THE COUNCIL of 8 June 2011 on the restriction of the use of certain hazardous substances in electrical and electronic equipment).

**Attention**  
 1.This datasheet is downloaded from the website of Murata Manufacturing Co., Ltd. Therefore, it's specifications are subject to change or our products in it may be discontinued without advance notice. Please check with our sales representatives or product engineers before ordering.  
 2.This datasheet has only typical specifications because there is no space for detailed specifications.  
 Therefore, please review our product specifications or consult the approval sheet for product specifications before ordering.

# CR2032-HO6



## Specifications

Battery type	Coin Manganese Dioxide Lithium Batteries
Nominal Voltage	3.0V
Nominal Capacity	220mAh
Standard Discharge Current	0.2mA
Operating Temperature Range	-30°C to 70°C
Diameter (inch)	0.787inch
Diameter (mm)	20mm
Height (inch)	0.126inch
Height (mm)	3.2mm
IEC (JIS)	CR2032
Mass (oz)	0.116oz
Mass (g)	3.3g

### Attention

1.This datasheet is downloaded from the website of Murata Manufacturing Co., Ltd. Therefore, it's specifications are subject to change or our products in it may be discontinued without advance notice. Please check with our sales representatives or product engineers before ordering.

2.This datasheet has only typical specifications because there is no space for detailed specifications.

Therefore, please review our product specifications or consult the approval sheet for product specifications before ordering.