

6RI100E(100A)

POWER DIODE MODULE

600V,800V / 100A

6 in one-package

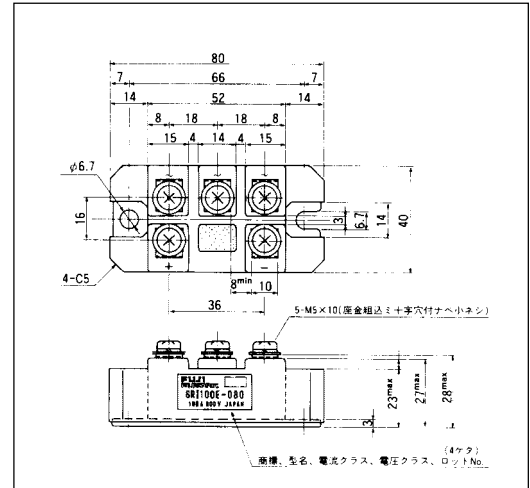
Features

- Glass Passivation Chip
- Easy Connection
- Insulated Type

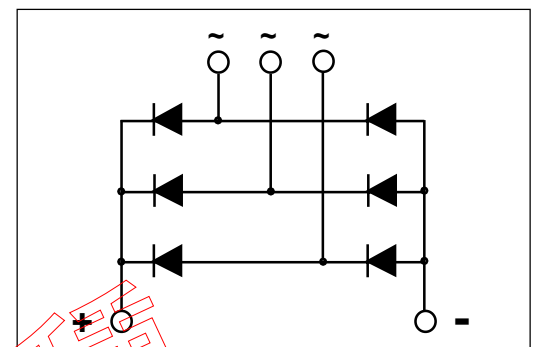
Applications

- Inverters
- Battery Chargers
- DC Motors
- General Purpose DC Power Supplies

Outline Drawings, mm



Inner Circuit Schematic



Maximum ratings and characteristics

Absolute maximum ratings

Item	Symbol	Conditions	Rating		Unit
			-060	-080	
Repetitive peak reverse voltage	V_{RRM}		600	800	V
Non-repetitive peak reverse voltage	V_{RSM}		660	880	V
Average output current	I_o	50/60Hz Sine wave, $T_c=103^{\circ}C$	100		A
Surge current	I_{FSM}	From rated load, Sine wave 10ms	1200		A
I^2t	I^2t	From rated load	6000		A ² s
Operating junction temperature	T_j		-40 to +150		°C
Storage temperature	T_{stg}		-40 to +125		°C
Isolation voltage	V_{is}		AC2000(1min.)		V
Screw torque			3.5 *1		N·m

*1: Recommendable value : 2.5 to 3.0 N·m(M5)

Electrical characteristics (Ta=25°C Unless otherwise specified)

Item	Symbol	Conditions	Min.	Typ.	Max.	Unit
Forward voltage drop	V_{FM}	$T_j=25^{\circ}C, I_{FM}=100A$			1.15	V
Reverse current	I_{RRM}	$T_j=150^{\circ}C, V_R=V_{RRM}$			10	mA

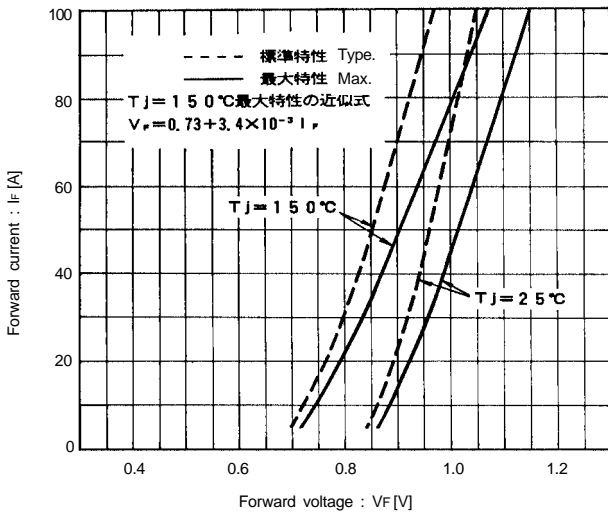
Thermal Characteristics

Item	Symbol	Conditions	Min.	Typ.	Max.	Unit
Thermal resistance	$R_{th(j-c)}$	Junction to case			0.22	°C/W
	$R_{th(c-f)}$	the base to cooling fin *			0.06	°C/W

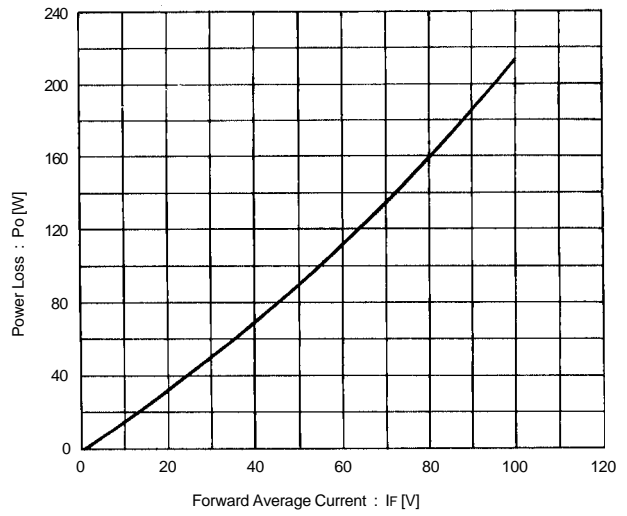
* : With Thermal Compound

■ Characteristics

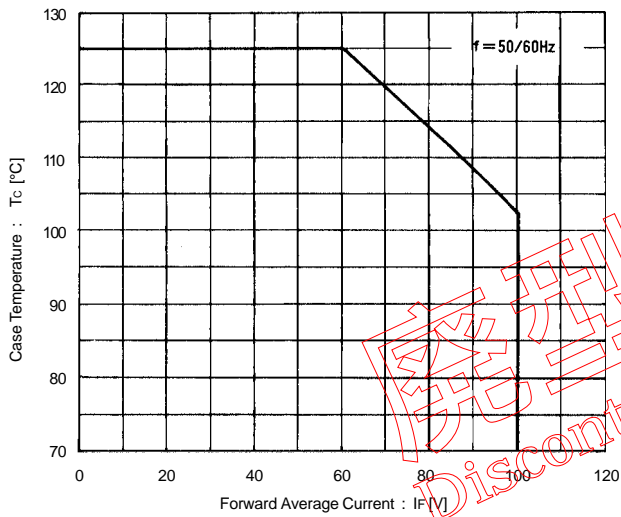
Forward Characteristics



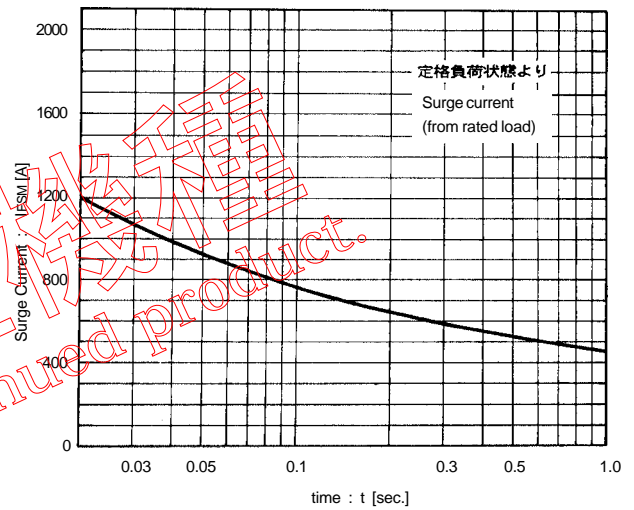
Forward Average Current vs. Power Loss



Forward Average Current vs. Case Temperature



Surge Current



Transient Thermal Impedance

