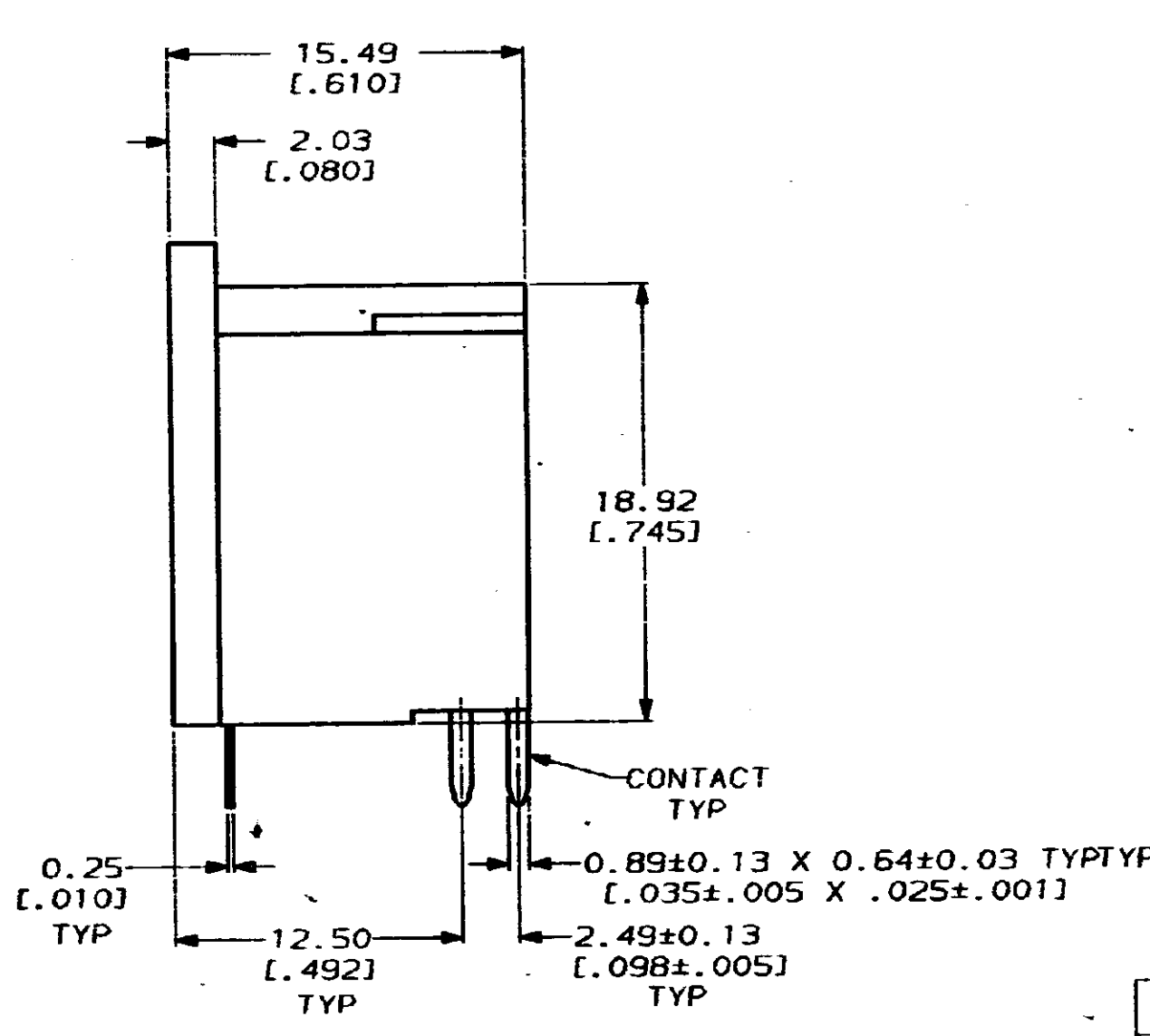
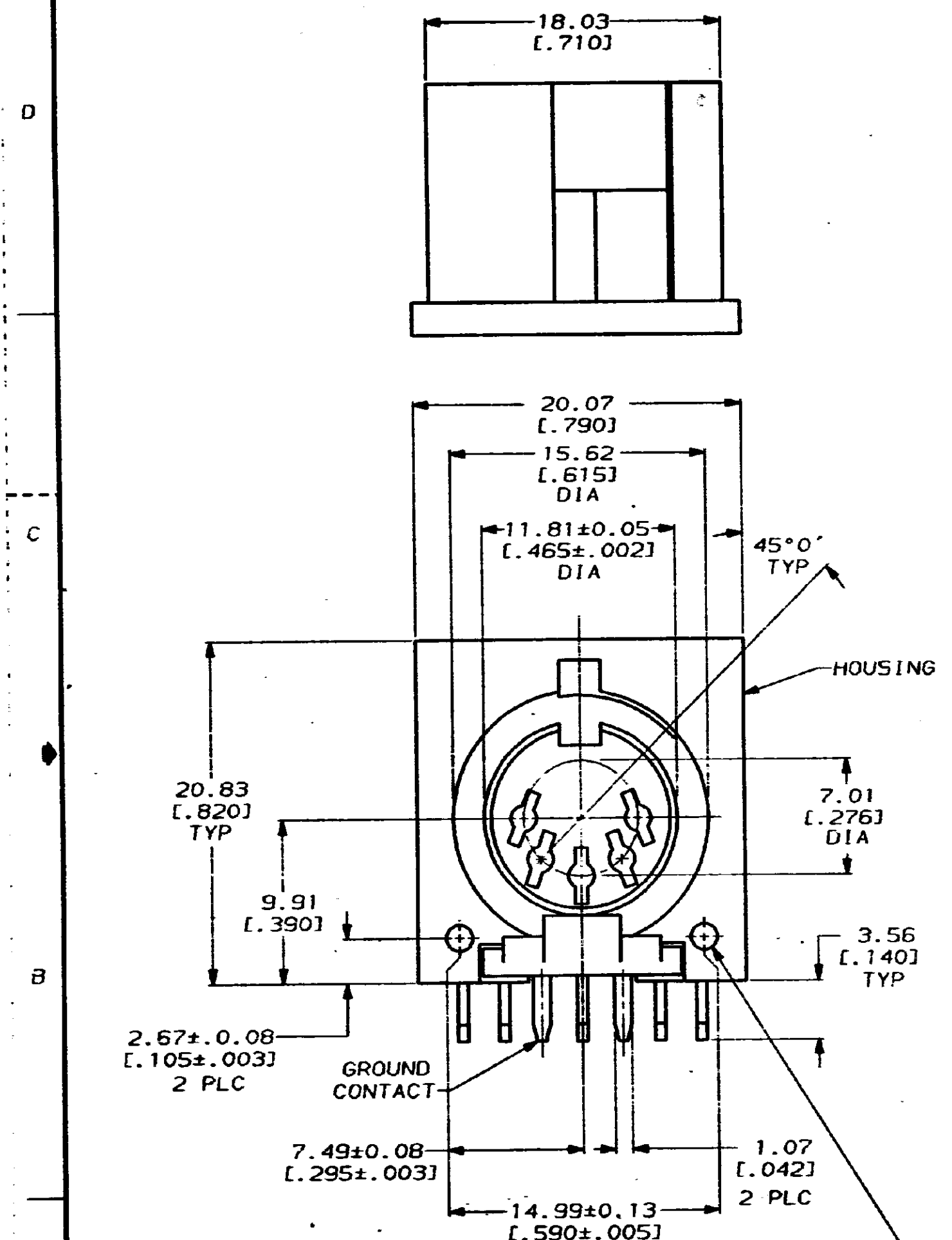


DRAWING MADE IN THIRD ANGLE PROJECTION
 THIS DRAWING IS UNPUBLISHED. RELEASED FOR PUBLICATION
 © COPYRIGHT 19 BY AMP INCORPORATED. ALL INTERNATIONAL RIGHTS RESERVED.

LOC	DISY	ZONE	LTR	DESCRIPTION	DATE	APPD
18	BD	39	G1	REDRAWN WITHOUT CHANGE	08/08/89	-
			H	ADDED-2 PER NPR 3602	08/27/91	-



- 1 NYLON, FLAME RETARDANT, UL 94V-0 RATED, GLASS FILLED, BLACK.
- 2 2.54µm [.000100] MIN TIN-LEAD OVER 1.27µm [.000050] MIN NICKEL.
- 3 TIN PLATING PER MIL-T-10727, NICKEL PLATING PER QQ-N-290.
- 4. MATES WITH 5 POSITION SHIELDED DIN PLUG, P/N 212437-3.
- 5. MATING FACE CONFORMS TO DIN SPECIFICATION 41524.

TUBE	211450-2
GANG OF TUBES	211450-1
PACKAGING TYPE	PA- NC

DO NOT SCALE PRINT. UNLESS SPECIFIED DIMENSIONS IN mm (INCHES) TOLERANCES ON: 2 PLC DEC ± 0.25 (.010) 3 PLC DEC ± ANGLES ± 0°30'		DR 08/08/89 W.G. LENKER CHK 8-11-89 R. STONE APPD 8-14-89 R. WYNE APPD 8-14-89 J. SHOWERS PRODUCT SPEC 108-10047 APPLICATION SPEC 114-40025 WEIGHT		AMP INCORPORATED Harrisburg, Pa. 17115 NAME RECEPTACLE ASSEMBLY, 5 POSN, RIGHT ANGLE, CIRCULAR DIN SIZE C CAGE CODE 00779 DRAWING NO 211450 SCALE 4:1 SHEET 1 OF 1	
---	--	--	--	---	--

CUSTOMER DRAWING

- [Home](#)
- [Part Number Search](#)
- [Text Search](#)
- [Alternate Part Search](#)
- [Multiple Part Comparison](#)
- [Alphabetical Search](#)
- [Brand Search](#)
- [Industry Product Search](#)
- [Product Type Search](#)
- [Product Family Search](#)
- [Competitor Cross Reference](#)
- [Document Number Search](#)
- [Lead Free Solutions](#)
- [Help/Glossary](#)

Current Brand View	View All Tyco Electronics Brands Click to activate links to all other products
AMP	

Circular DIN Connectors

Shielded Circular DIN Connectors

AMP **211450-2** -- 3 of 9 products **Active** [Active](#)

(Tyco Electronics P/N: 211450-2)

Previous	Next	Sales Information	AMP ACES	Step Search Screen
			Related Documents	General Information
			Pricing	Product Availability

Please use the customer drawing for all design activity.

- **Customer Drawing: 211450, Rev. G3**
Document Title: rept assy 5 posn right angle cir din
[167795.pdf](#) [167795.pdf](#) (64K)

The photographs and/or line drawings below are representative images of a product for viewing purposes only.

[PCB Layout](#)

Searchable Features:	
Brand:	AMP
Product Type:	Connector
Gender:	Receptacle
Shielded:	No
Grounding Fingers:	Without
No. of Panel Mount Holes:	2
No. of Positions:	5

Other Properties:	
Housing Material:	Nylon
Contact Material:	Brass
Contact Mating Area Plating:	Tin
Housing Color:	Black
Housing Material Flammability Rating:	UL 94V-0
Comment:	For applications requiring a 3-position connector, use a 5-position connector (contact positions 4 and 5 not used). Packaged in tube.

[Copyright](#) and [Privacy Statement](#)

Visit [Tyco International, Ltd.](#)

[Products](#) | [eCatalog](#) | [Brands](#) | [Industries](#) | [eCommerce](#) | [Customer Service](#) | [About](#) | [Home](#)