



Raychem | Raychem 82 Series

TE Internal #: 982123-000

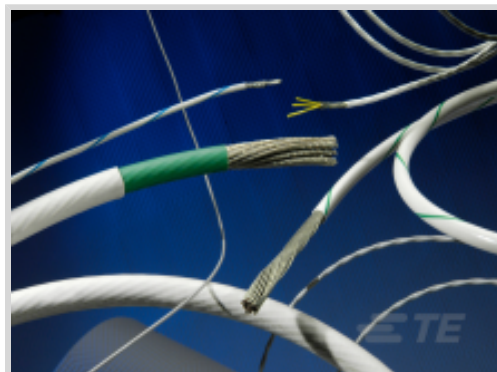
Raychem 82 Series, Power Cable, Spec 80, 600VAC Power Cable

Voltage Rating, Operating Temperature Range -65 – 150 °C, 6AWG

Wire Size

[View on TE.com >](#)

Wire & Cable > Power Cable



Power Cable Type: **Spec 80**

Power Cable Voltage Rating: **600 VAC**

Power Cable Insulation Material: **Radiation-Crosslinked, Modified Flexible ETFE**

Jacket Material: **Radiation-Crosslinked, Modified Flexible ETFE**

Power Cable Jacket Color: **White**

Features

Product Type Features

| | |
|------------------------|---------------------------|
| Cable Insulation Style | Double |
| Power Cable Type | Spec 80 |
| Cable Style | Primary |
| Wall Type | Dual |
| Product Type | Wire |
| Product Classification | Wire - Spec 80 (FlexLine) |

Configuration Features

| | |
|----------------------------------|------|
| Number of Power Cable Conductors | 1 |
| Number of Strands | 1045 |

Electrical Characteristics

| | |
|----------------------------|---------|
| Power Cable Voltage Rating | 600 VAC |
|----------------------------|---------|

Body Features

| | |
|---------------------------------|---|
| Conductor Stranding | High Strand Count Conductor |
| Power Cable Wire Color | WT |
| Power Cable Insulation Material | Radiation-Crosslinked, Modified Flexible ETFE |
| Jacket Material | Radiation-Crosslinked, Modified Flexible ETFE |



| | |
|--------------------------------|-------------------|
| Power Cable Jacket Color | White |
| Power Cable Conductor Material | Tin-Coated Copper |

Dimensions

| | |
|-------------|---------|
| | .277 in |
| Length | 50 ft |
| Strand Size | 36 AWG |
| Wire Size | 6 AWG |

Usage Conditions

| | |
|-----------------------------|--------------|
| Operating Temperature Range | -65 – 150 °C |
|-----------------------------|--------------|

Operation/Application

| | |
|------------|---------------|
| Wire Class | Medium Weight |
|------------|---------------|

Packaging Features

| | |
|------------------|------|
| Packaging Method | Reel |
|------------------|------|

Product Compliance

[For compliance documentation, visit the product page on TE.com>](#)

| | |
|---|---|
| EU RoHS Directive 2011/65/EU | Compliant |
| EU ELV Directive 2000/53/EC | Compliant |
| China RoHS 2 Directive MIIT Order No 32, 2016 | No Restricted Materials Above Threshold |
| EU REACH Regulation (EC) No. 1907/2006 | Current ECHA Candidate List: JUN 2020 (209) Candidate List Declared Against: JAN 2019 (197) Does not contain REACH SVHC |
| Halogen Content | Out of Scope - excluded from Halogen requirements |
| Solder Process Capability | Not applicable for solder process capability |

Product Compliance Disclaimer

This information is provided based on reasonable inquiry of our suppliers and represents our current actual knowledge based on the information they provided. This information is subject to change. The part numbers that TE has identified as EU RoHS compliant have a maximum concentration of 0.1% by weight in homogenous materials for lead, hexavalent chromium, mercury, PBB, PBDE, DBP, BBP, DEHP, DIBP, and 0.01% for cadmium, or qualify for an exemption to these limits as defined in the Annexes of Directive 2011/65/EU (RoHS2). Finished electrical and electronic equipment products will be CE marked as required by Directive 2011/65/EU. Components may not be CE marked. Additionally, the part numbers that TE has identified as EU ELV compliant have a maximum concentration of 0.1% by weight in homogenous materials for lead, hexavalent chromium, and mercury, and 0.01% for cadmium, or qualify for an exemption to these limits as defined in the Annexes of Directive 2000/53/EC (ELV). Regarding the REACH Regulation, the information TE provides

on SVHC in articles for this part number is based on the latest European Chemicals Agency (ECHA) 'Guidance on requirements for substances in articles' posted at this URL: <https://echa.europa.eu/guidance-documents/guidance-on-reach>

Also in the Series | Raychem 82 Series



Power Cable(37)

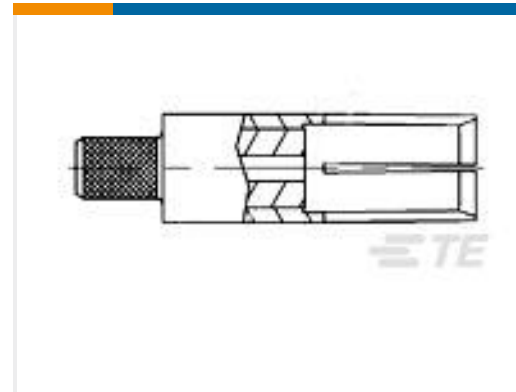
Customers Also Bought



TE Model / Part #YDTS24W21-11SAV001
RECP ASSY



TE Model / Part #C16884-000
55AC1121-22-9/96-9CS2275



TE Model / Part #225791-8
ARINC - SKT SIZE 5



TE Model / Part #128545-000
55A0831-14-MST3-CS2275



TE Model / Part #1-1616941-2
A701DA=CUTOFF REVERSE
CURRENT 400 AMP-28



TE Model / Part #1-1616520-0
BH316C=RELAY



TE Model / Part #YDTS24W25-04SBV001
RECP ASSY



TE Model / Part #YDTS24W25-24PBV001
RECP ASSY



TE Model / Part #1617168-9
JMSCT-26XLS = M28776/3-046L



TE Model / Part #5-1617351-1
JMSPD-26XP=M39016/16-028P

Documents

Product Drawings

82A0811-6-9

English



Datasheets & Catalog Pages

[Raychem Wire and Cable Quick Reference Guide](#)

English

Product Specifications

[Product Specification](#)

English