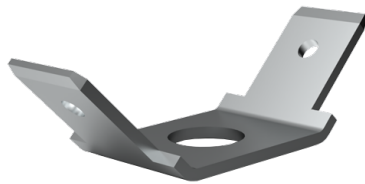


Data Sheet

PC Quick-Fit Terminal 6.3x0.8mm 45° Brass tinned with hole ø4.3mm

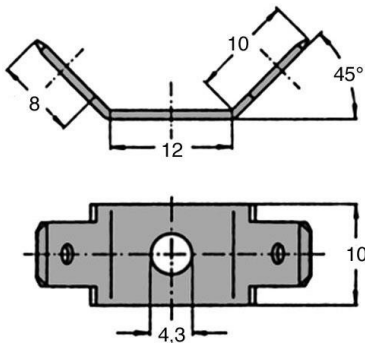
Part No.: 019.68.841



Finish :	Tin-Plated
Mounting Hole [mm] :	4,3
Material :	Brass CuZn37 ASTM C27200
Version :	6,3x0,8 mm
Plug-In Length [mm] :	8
Design :	angled, 2 x 45°
Width [mm] :	10
Weight per 100 pcs :	163 g
Customs tariff number :	85366990
Conformities :	



Image for illustrative purposes only.



All information is available online
on our detail product page!

Looking for some advice for your specific situation?
If so, please don't hesitate to e-mail us at products@ettinger.de

Subject to changes and errors.