

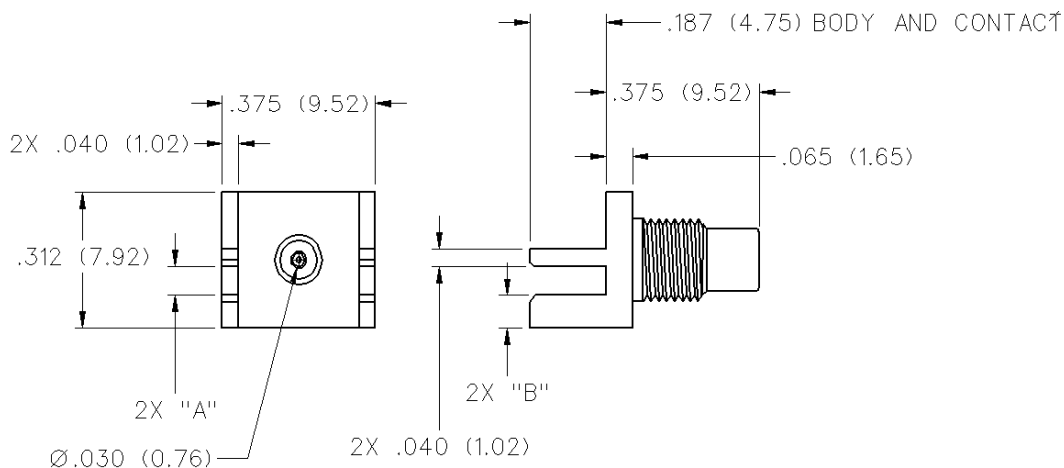
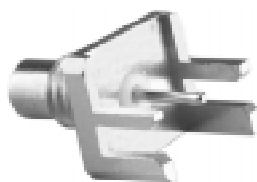
# SMC - 50 Ohm Connectors

PC Mount



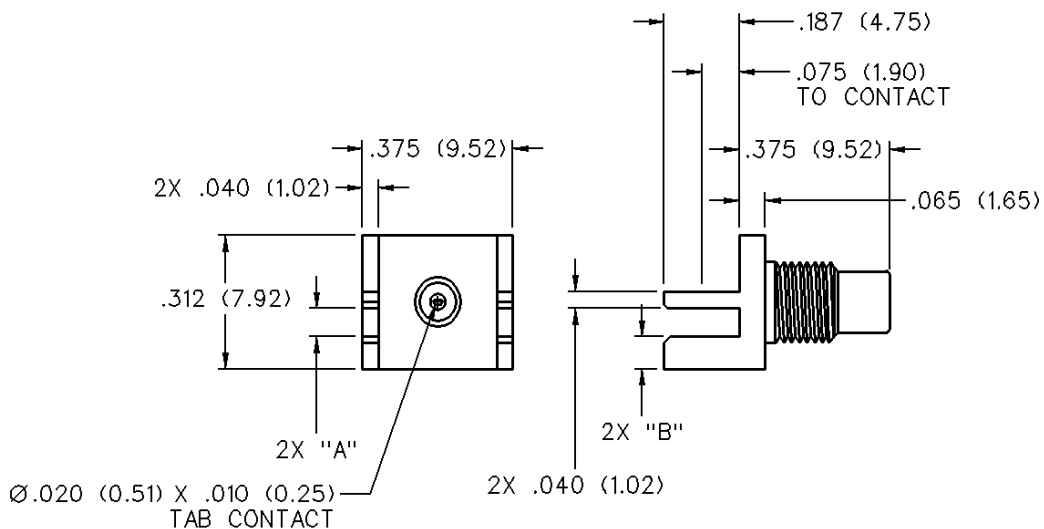
INCHES (MILLIMETERS)  
CUSTOMER DRAWINGS AVAILABLE UPON REQUEST

## End Launch Jack Receptacle - Round Contact



BOARD THICKNESS	GOLD PLATED	NICKEL PLATED	"A"	"B"
.062 (1.57)	131-6701-801	131-6701-806	.068 (1.73)	.073 (1.85)
.042 (1.07)	131-6701-821	131-6701-826	.048 (1.22)	.093 (2.36)

## End Launch Jack Receptacle - Tab Contact



BOARD THICKNESS	GOLD PLATED	NICKEL PLATED	"A"	"B"
.062 (1.57)	131-6701-831	131-6701-836	.068 (1.73)	.083 (2.11)