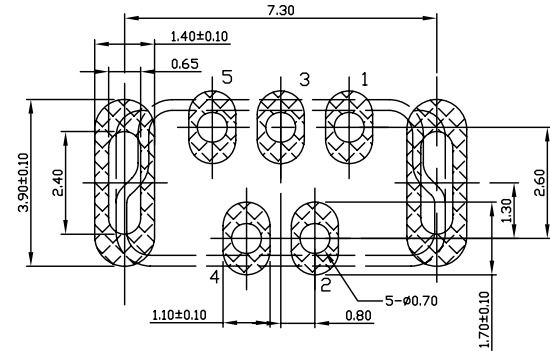
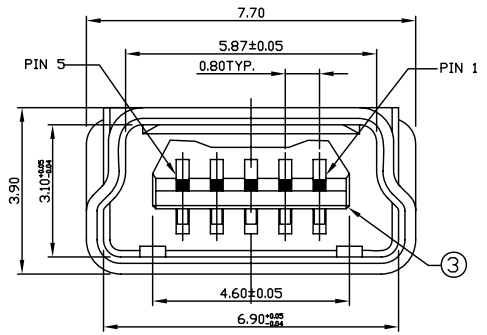
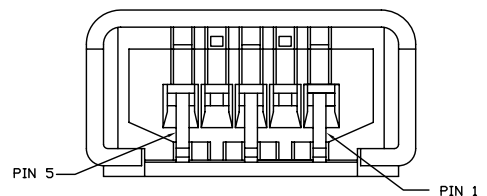
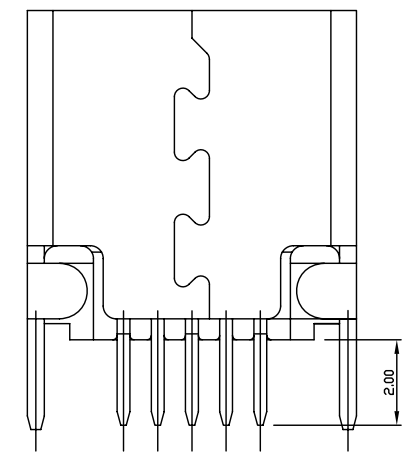
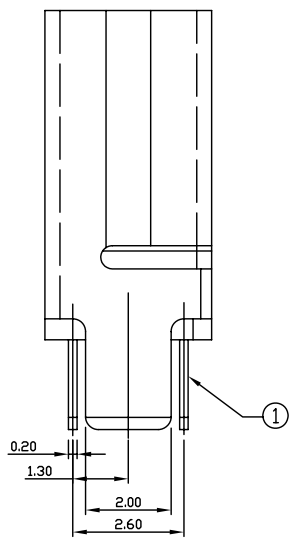
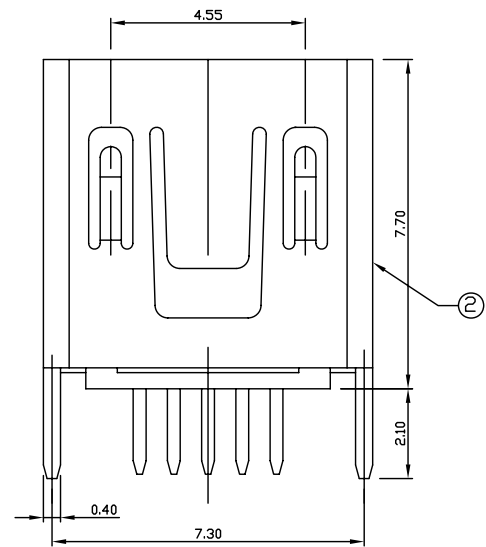



RevNo	Revision note	Date	Signature	Checked
A	ORIGINAL	03-09-10		



RECOMMENDED PCB LAYOUT (t=1.00±0.15)  
COMPONENT SIDE



GENERAL TOLERANCES ( UNLESS SPECIFIED ) DIMENSION STYLE : MM ( INCH )		FINISH SEE NOTES			
		MATERIAL SEE NOTES			
4 PLACES	± --- ± ---	DRAWN BY	DATE	TITLE MINI USB-B, 0.8mm PITCH, FEMALE, VERT	
3 PLACES	± --- ± ---	REMY	03-09-10		
2 PLACES	± 0.20 ± ---	CHECKED BY	DATE	SIZE	DRAWING NO.
1 PLACES	± 0.30 ± ---	CARDL	03-09-10	A4	USB-MJ815A-5000-40D
0 PLACES	± --- ± ---	APPROVED BY	DATE	SCALE	SHEET
ANGULAR ± 5°		---	---	NONE	1 OF 1
THIRD ANGLE PROJECTION					REV. A