

BZY93 SERIES

Voltage Range 7.5 - 75 Volts
 1500 Watt Peak Pulse Power
 20 Watt Steady State @ 75°C
 15 Watt Steady State @ 100°C

FEATURES

- Glass Passivated Junction
- 1500 Watt surge capability at 1 mS
- Typically IR less than 5µA above 10V
- Excellent clamping capability
- Stud Cathode & Stud Anode
- 100% Tested
- Operated temperature -55°C to +175°C

MECHANICAL CHARACTERISTICS

- CASE: Hermetically sealed D04 outline
- Finish: All external surfaces are corrosion resistant and terminal solderable
- Polarity: Indicated by direction of zener symbol
- Weight: 4.2 grammes excluding mounting kit (approx)

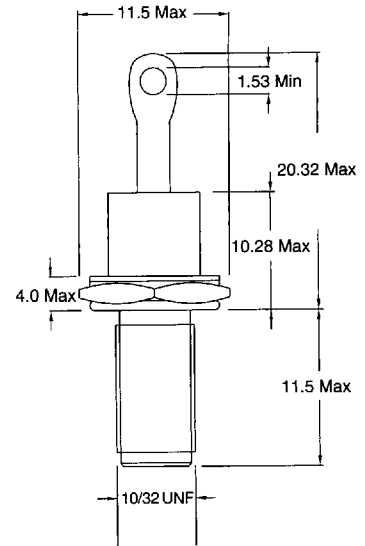
ELECTRICAL DATA

- Forward voltage Vf 1.5V max @ If ≤ 5A
- Vz measured with pulse ≤ 100µS and duty cycle ≤ 0.001
- Rz determined with DC plus 10% superimposed AC @ 1KHz

ELECTRICAL SPECIFICATIONS @ 25°C

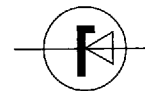
INDUSTRY PART NUMBER	Vz +/- 5% VOLTAGE TOLERANCE (V)	Iz A	Rz ohms		Max Ir at Vr	
			Typ	Max	mA	Volts
BZY93C7V5	7.0-7.9	2	0.04	0.3	0.1	5.1
BZY93C8V2	7.7-8.7	2	0.05	0.3	0.1	5.6
BZY93C9V1	8.5-9.6	1	0.07	0.5	0.05	6.2
BZY93C10	9.4-10.6	1	0.09	0.5	0.05	6.8
BZY93C11	10.4-11.6	1	0.08	1.0	0.05	7.5
BZY93C12	11.4-12.7	1	0.08	1.0	0.05	8.2
BZY93C13	12.4-14.1	1	0.08	1.0	0.05	9.1
BZY93C15	13.8-15.6	1	0.10	1.2	0.05	10
BZY93C16	15.3-17.1	0.5	0.18	1.2	0.05	11
BZY93C18	16.8-19.1	0.5	0.20	1.5	0.05	12
BZY93C20	18.8-21.2	0.5	0.20	1.5	0.05	13
BZY93C22	20.8-23.3	0.5	0.21	1.8	0.05	15
BZY93C24	22.7-25.9	0.5	0.22	2.0	0.05	16
BZY93C27	25.1-28.9	0.5	0.25	2.0	0.05	18
BZY93C30	28.0-32.0	0.5	0.30	2.5	0.05	20
BZY93C33	31.0-35.0	0.5	0.75	4.0	0.05	22
BZY93C36	34.0-38.0	0.2	0.85	5.0	0.05	24
BZY93C39	37.0-41.0	0.2	0.90	6.5	0.05	27
BZY93C43	40.0-46.0	0.2	1.0	7.0	0.05	30
BZY93C47	44.0-50.0	0.2	1.0	7.5	0.05	33
BZY93C51	48.0-54.0	0.2	1.2	8.0	0.05	36
BZY93C56	52.0-60.0	0.2	1.3	9.0	0.05	39
BZY93C62	58.0-66.0	0.2	1.5	10.0	0.05	43
BZY93C68	64.0-72.0	0.2	1.8	11.0	0.05	47
BZY93C75	70.0-79.0	0.2	2.0	15.0	0.05	51

Suffix 'R' for Stud Anode Reverse

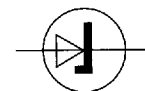


All Dimensions in mm

AVAILABLE IN THE FOLLOWING CONFIGURATIONS



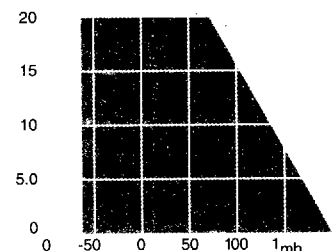
STUD CATHODE NORMAL



STUD ANODE REVERSE

Maximum total dissipation plotted against mounting base temp

P_{tot} max (W)



ORDERING INFORMATION

BZY93C

Voltage

N = Stud Cathode Normal
 R = Stud Anode Reverse