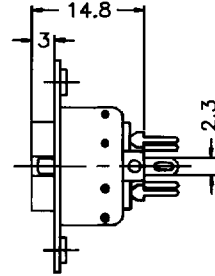
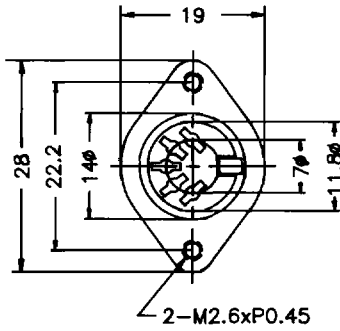
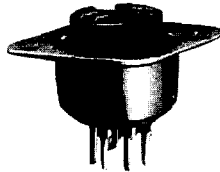


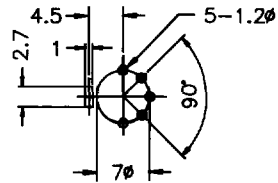
# DIN 5P,7P,8P,10P SOCKET

## SPECIFICATIONS:

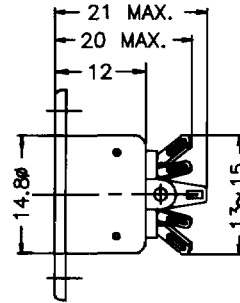
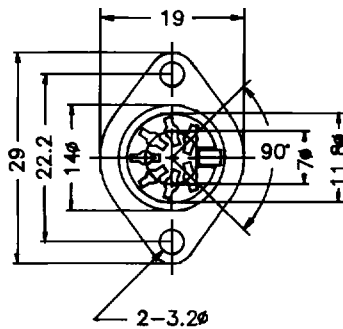
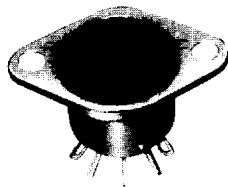
Rating: 2A 100V AC.  
 Contact Resistance: 20mΩ Max.  
 Insulation Resistance: 100MΩ Min.  
 Dielectric Strength: AC 500V/1 Minute



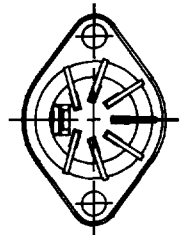
DIN 5P SOCKET



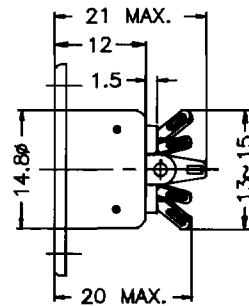
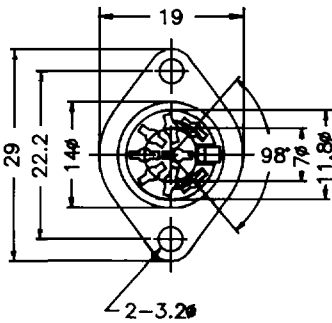
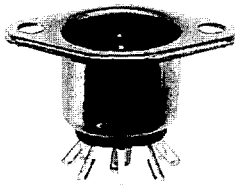
MODEL NO	NEW	2DJ-002P0003
	OLD	DJ-002(P)



DIN 7P SOCKET



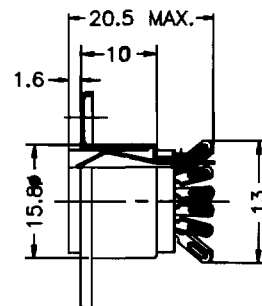
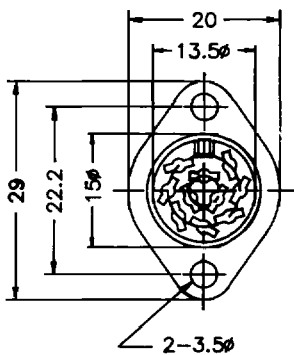
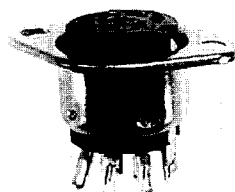
MODEL NO	NEW	2DJ-0027P003
	OLD	DJ-002-7P



DIN 8P SOCKET



MODEL NO	NEW	2DJ-01500003
	OLD	DJ-015



DIN 10P SOCKET

MODEL NO	NEW	2DJ-01200003
	OLD	DJ-012