

Safety relays

C574

Ordering details

1SAR 503 041 F 0002



C574

- Auto-start or monitored start (depending on device)
- Short circuit protection
- Single- or two-channel connection
- Feedback loop for monitoring of external contactors
- Off-delay T_v continuously adjustable
- Safety outputs: 2 n/o contacts (stop cat. 0), 2 n/o contacts (stop cat. 1), time delayed, pos. guided
- Signalling output: 1 n/c contact, positively guided
- 5 LEDs for status indication
- Safety category acc. to EN 954-1: B, 1, 2, 3, 4¹⁾

EMERGENCY STOP monitor and safety gate monitor with time delay C574

Application

The safety relay C574 can be used in EMERGENCY STOP devices according to EN 418, in safety circuits according to VDE 0113 Part 1 (06.93) and/or EN 60 204-1 (12.97), such as for monitoring safety gates, or in circuits with controlled stand-still requirement (STOP Category 1). Depending on the external circuitry, this device can be used to realize safety categories B, 1, 2, 3 or 4¹⁾ for undelayed enabling circuits according to DIN EN 954-1.

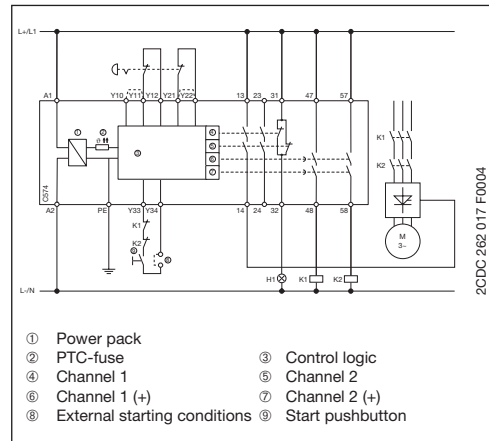
Functions

The C574 safety relay possesses two delayed and two undelayed enabling circuits (safety outputs) as n/o contacts and one undelayed signal output as n/c contact.

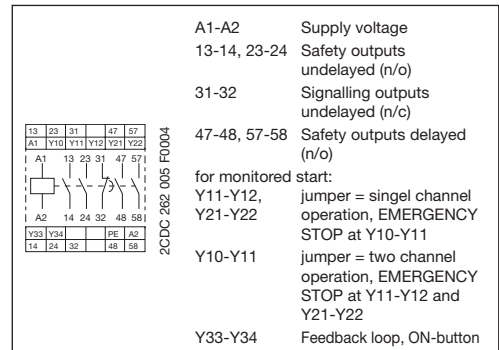
Five LEDs (Power, Channel 1, Channel 2, delayed channel 1, delayed channel 2) indicate the operating status and the functions.

The redundant safety relays, the electronics and the operated motor contactors are tested for proper functioning when the EMERGENCY STOP button or the limit switch button is unlatched, and when ON circuit Y33-Y34 is closed. On the C574 (monitored start), the ON circuit Y33-Y34 is checked for short circuit. This means that a fault is detected when Y33-Y34 is closed before the EMERGENCY STOP button is closed.

Block diagram C574



Connection diagram C574



Type	Supply voltage U_c	Off-delay T_v	Start	Order code	Pack. unit piece	Price 1 piece	Weight 1 piece kg / lb
C574	24 V DC	0,5-30 s	monitored	1SAR 503 041 R0003	1		0.50 / 1.10
	24 V AC			1SAR 503 041 R0002	1		0.50 / 1.10
	115 V AC			1SAR 503 041 R0004	1		0.65 / 1.43
	230 V AC			1SAR 503 041 R0005	1		0.65 / 1.43
C574	24 V DC	0,5-30 s	auto	1SAR 503 141 R0003	1		0.50 / 1.10
	24 V AC			1SAR 503 141 R0002	1		0.50 / 1.10
	115 V AC			1SAR 503 141 R0004	1		0.65 / 1.43
	230 V AC			1SAR 503 141 R0005	1		0.65 / 1.43
C574	24 V DC	0,05-3 s	monitored	1SAR 533 241 R0003	1		0.50 / 1.10
	24 V AC			1SAR 533 241 R0002	1		0.50 / 1.10
	115 V AC			1SAR 533 241 R0004	1		0.65 / 1.43
	230 V AC			1SAR 533 241 R0005	1		0.65 / 1.43
C574	24 V DC	0,05-3 s	auto	1SAR 533 141 R0003	1		0.50 / 1.10
	24 V AC			1SAR 533 141 R0002	1		0.50 / 1.10
	115 V AC			1SAR 533 141 R0004	1		0.65 / 1.43
	230 V AC			1SAR 533 141 R0005	1		0.65 / 1.43

Type	Accessories	Order code	Pack. unit sets	Price 1 piece	Weight 1 piece kg/lb
C560.10	Sealable cover	1SAR 390 000 R1000	5		0.240/0.53

¹⁾ For undelayed enabling circuits only.