

Product Specifications



240PNF-BH-CR

Type N Female Bulkhead for CNT-240 braided cable

CHARACTERISTICS

General Specifications

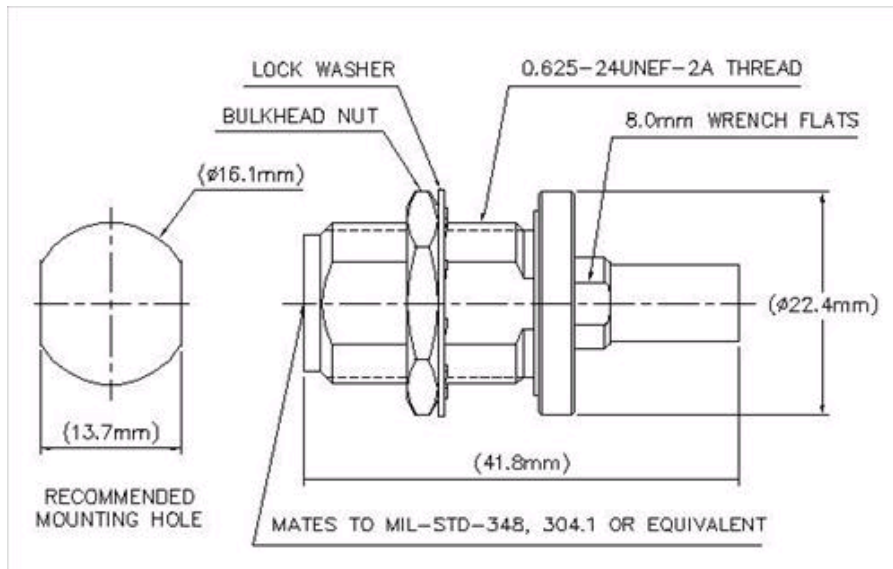
| | |
|------------|----------|
| Interface | N Female |
| Body Style | Bulkhead |

Electrical Specifications

| | |
|--------------------------------------|----------------------|
| Operating Frequency Band | 0 – 6000 MHz |
| 3rd Order IMD Test Method | Two +43 dBm Carriers |
| Average Power | 260.0 W @ 900 MHz |
| Cable Impedance | 50 ohm |
| Connector Impedance | 50 ohm |
| dc Test Voltage | 1500 V |
| Inner Contact Resistance | 1.00 mOhm |
| Insertion Loss, typical | 0.05 dB |
| Insulation Resistance, minimum | 5000 MOhm |
| Outer Contact Resistance | 0.25 mOhm |
| Peak Power, maximum | 5.60 kW |
| RF Operating Voltage, maximum (vrms) | 529.00 V |
| Shielding Effectiveness | -90 dB |
| 3rd Order IMD | -75 dBm @ 910 MHz |

Product Specifications

Outline Drawing



Mechanical Specifications

| | |
|-----------------------------------|--------------------|
| Connector Retention Tensile Force | 134 N 30 lbf |
| Connector Retention Torque | 0 N-m 0 ft lb |
| Inner Contact Attachment Method | Solder |
| Insertion Force | 28.00 N 6.29 lbf |
| Insertion Force Method | IEC 169-16:9.3.5 |
| Interface Durability | 500 cycles |
| Interface Durability Method | IEC 169-16:9.5 |
| Outer Contact Attachment Method | Crimp |
| Pressurizable | No |

Dimensions

| | |
|-------------------|--------------------|
| Nominal Size | 0.240 in |
| Diameter, maximum | 22.35 mm 0.88 in |
| Length | 49.65 mm 1.95 in |
| Weight | 52.00 g 0.11 lb |
| Width | 22.35 mm 0.88 in |

Environmental Specifications

| | |
|------------------------------------|---------------------------------------|
| Climatic Sequence Test Method | IEC 60068-1 |
| Corrosion Test Method | IEC 60068-2-11 |
| Damp Heat Steady State Test Method | IEC 60068-2-3 |
| Mechanical Shock Test Method | IEC 60068-2-27 |
| Operating Temperature | -55 °C to +85 °C (-67 °F to +185 °F) |
| Storage Temperature | -65 °C to +125 °C (-85 °F to +257 °F) |
| Thermal Shock Test Method | IEC 60068-2-14 |
| Vibration Test Method | IEC 60068-2-6 |

Product Specifications



Standard Conditions

| | |
|--|-----------------|
| Attenuation, Ambient Temperature | 20 °C 68 °F |
| Average Power, Ambient Temperature | 40 °C 104 °F |
| Average Power, Inner Conductor Temperature | 100 °C 212 °F |

* Footnotes

Insertion Loss, typical $0.05 \sqrt{\text{freq (GHz)}}$ (not applicable for elliptical waveguide)