

## **SC1G(391) 100-Pair Connector**

# SIECOR<sup>®</sup>



### **Description**

Siecor's SC1G(391) connector is the most compact of Siecor's 100-pair central office/remote office connectors for use with the 5-pin, 303-type protector units (3 & 4 type).

This compact 9.38 in (238 mm) high, narrow profile connector is designed to increase frame capacity without sacrificing valuable work space. One Model 303 connector can be replaced by two SC1G(391) connectors without the need for special hardware.

The SC1G(391) connector is ideal for use in remote switch and digital line carrier locations, as frame space in huts and Controlled Environment Vaults (CEV) is usually at a premium.

The SC1G(391) connector is compatible with Private Automatic Branch Exchange (PABX) and Centrex systems that use combination frame configurations; i.e., where terminal blocks and connectors are mounted on the same side of the frame.

It also provides an excellent termination point for protector frame systems that use separate intermediate distribution frames for cross-connecting.

The SC1G(391) connector's narrow profile provides 4.5 in (114 mm) of work space between adjacent connectors, allowing ample room for cross-connect (jumper) wiring and frame administration.

The angled protector field allows easy access to the individual protector units, and is ordered with gold protector receptacles. Protector units are arranged in a 10 x 10 configuration. The front facing test and cross-connect (jumper) fields are always within reach.

The SC1G(391) connector may be ordered stubless, or with unbonded ALVYN cable stubs, with 22 or 24 AWG conductors, 100-pair stubs with various grounding options.

The SC1G(391) connector accepts the full line of industry-standard 303-type (3 & 4 type), 5-pin protector units, including Siecor's Solid-State Overvoltage Protector (SSOVP) units.

## SC1G(391) 100-Pair Connector

### Features / Benefits

#### Compact Size

- Compact, high-density design, 9.38 in (238 mm) high, affords maximum frame capacity
- Maintains ample intervertical space, 4.5 in (114 mm), between adjacent connectors when mounted on 8 in (203 mm) verticals
- Models are available to mount on the right or left side of an MDF vertical

#### Protector Field

- Angled for full visibility of protector units
- Uses 5-pin, 303-type (3 & 4 type) protector modules in a 10 x 10 configuration

#### Test Field

- Front-facing for maximum accessibility
- Accepts "T" test connector

#### Cross-Connect (Jumper) Field

- Wire-wrap terminals, or IDC
- Front-facing jumper field reduces wiring time

#### Fanning Strips

- Slotted front and solid rear fanning strips, facilitates jumper wire separation and routing

#### Designations, Larger, Easier to Read

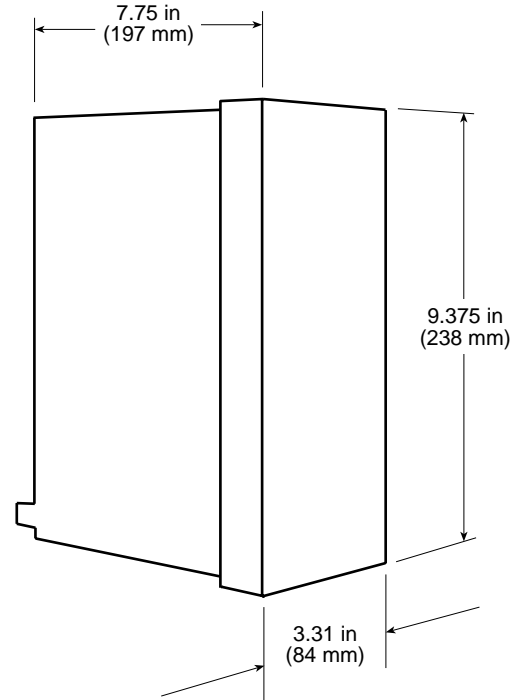
- Clear designations for
  - protector field
  - test field
  - jumper (cross-connect) field

#### Stub

- Available with or without stub
- Stub cable may be 22 or 24 AWG
- Locking swivel stub, direction can be easily changed up or down at installation
- Comes with one 100-pair stub
- Temporary field-stubbing brackets provided with stubless connectors to simplify field stubbing

#### Protection Ground

- Available with frame, independent, and isolated ground options



# SC1G(391) 100-Pair Connector

# SIECOR<sup>®</sup>

## Specifications

Plastic Materials	Main body: Polycarbonate, ivory, UL 94V-0
Metal Parts	Mounting Hardware: Steel-, cadmium-, or zinc-plated Current-Carrying Components: Copper or copper alloys, tin-plated
<b>Cable Stub</b>	
Description:	22 or 24 AWG 100-pair Unbonded PVC jacket Locking swivel mount
Pressure:	Unpressurized
Termination:	Wire-wrap
Grounding:	#10 AWG cable ground (drain wire) to mounting bracket
Resistance:	< 5 milliohms (from cable shield bond to connector ground reference)
<b>Cross-Connect (Jumper) Connections</b>	
Termination:	Wire-wrap
Contact Resistance:	< 2 milliohms
Dielectric Strength	> 1500 VDC and > 1000 VAC @ 50-60 Hz for two minutes
Insulation Resistance	> 30 megohms @ 1000 VDC
Environmental Conditions	Operating environment with temperature ranging from 32°F (0°C) to 122°F (50°C) up to 95% R.H.
Temperature Characteristics	High Temperature: 140°F (60°C) without deformation

## Frame Vertical Capacities

Height – ft (m)	Pairs
7.0 (2.13)	700
8.0 (2.44)	800
9.0 (2.74)	1000
11.5 (3.51)	1300
14.5 (4.27)	1700

## Shipping Carton Information

Description	Standard Pack	Stub Length (ft)	Size (H x W x D) in (cm)	Weight lb (kg)
Stubless	1		12 x 14 x 7 (31 x 36 x 18)	6.5 (2.9)
Stubbed	1	< 100	31 x 31 x 6 (79 x 79 x 15)	22 to 81 (10 to 37)
Stubbed	1	> 100	31 x 31 x 12 (79 x 79 x 30)	Add 5 to 7 lb for every 10 ft and 2.3 to 3.2 kg for every 3.1 m

## Siecor Recommended Procedures

060-C391-203

060-C391-204

## Accessories

A full range of protector modules, mounting bar assemblies, testing connector, and cords are available for the SCG1-(391) connector, for more information contact Siecor Customer Service at 1-800-743-2671.

## SC1G(391) 100-Pair Connector

### Ordering Information

#### Stubbed with 24 Gauge Cable

##### 391 Type, Gold with Straight Mounting Bracket, Wire Wrap Pins

Part Number	Description
SC1G10JA	Siecor 391 (SCxx) Connector, 100-Pr Gold, Straight Mt. Stubless, Single Wire Wrap
SC1G11JG	Siecor 391 (SCxx) Connector, 100-Pr Gold, Straight Mt. 24 Ga. Stub, 30 ft long, Single Wire Wrap
SC1G11JL	Siecor 391 (SCxx) Connector, 100-Pr Gold, Straight Mt. 24 Ga. Stub, 50 ft long, Single Wire Wrap
SC1G11JS	Siecor 391 (SCxx) Connector, 100-Pr Gold, Straight Mt. 24 Ga. Stub, 80 ft long, Single Wire Wrap
SC1G11KA	Siecor 391 (SCxx) Connector, 100-Pr Gold, Straight Mt. 24 Ga. Stub, 100 ft long, Single Wire Wrap
SC1G11KL	Siecor 391 (SCxx) Connector, 100-Pr Gold, Straight Mt. 24 Ga. Stub, 150 ft long, Single Wire Wrap
SC1G11LA	Siecor 391 (SCxx) Connector, 100-Pr Gold, Straight Mt. 24 Ga. Stub, 200 ft long, Single Wire Wrap

##### 391 Type, Gold with Angle Mounting Bracket, Wire Wrap Pins

Part Number	Description
SC1G10AA	Siecor 391 (SCxx) Connector, 100-Pr Gold, Angle Mt. Stubless, Single Wire Wrap
SC1G11AG	Siecor 391 (SCxx) Connector, 100-Pr Gold, Angle Mt. 24 Ga. Stub, 30 ft long, Single Wire Wrap
SC1G11AL	Siecor 391 (SCxx) Connector, 100-Pr Gold, Angle Mt. 24 Ga. Stub, 50 ft long, Single Wire Wrap
SC1G11AS	Siecor 391 (SCxx) Connector, 100-Pr Gold, Angle Mt. 24 Ga. Stub, 80 ft long, Single Wire Wrap
SC1G11BA	Siecor 391 (SCxx) Connector, 100-Pr Gold, Angle Mt. 24 Ga. Stub, 100 ft long, Single Wire Wrap
SC1G11BL	Siecor 391 (SCxx) Connector, 100-Pr Gold, Angle Mt. 24 Ga. Stub, 150 ft long, Single Wire Wrap
SC1G11CA	Siecor 391 (SCxx) Connector, 100-Pr Gold, Angle Mt. 24 Ga. Stub, 200 ft long, Single Wire Wrap

##### 391 Type, Gold with Straight Mounting Bracket, IDC Bifurcated Quick Clip Pins

Part Number	Description
SC8Q200000	Siecor 391Q (SCxx) Connector, 100-Pr Gold, Straight Mt. Stubless, Bifurcated Quick Clip
SC1Q21D030	Siecor 391Q (SCxx) Connector, 100-Pr Gold, Straight Mt. 24 Ga. Stub, 30 ft long, Bifurcated Quick Clip
SC1Q21D050	Siecor 391Q (SCxx) Connector, 100-Pr Gold, Straight Mt. 24 Ga. Stub, 50 ft long, Bifurcated Quick Clip
SC1Q21D080	Siecor 391Q (SCxx) Connector, 100-Pr Gold, Straight Mt. 24 Ga. Stub, 80 ft long, Bifurcated Quick Clip
SC1Q21D100	Siecor 391Q (SCxx) Connector, 100-Pr Gold, Straight Mt. 24 Ga. Stub, 100 ft long, Bifurcated Quick Clip
SC1Q21D150	Siecor 391Q (SCxx) Connector, 100-Pr Gold, Straight Mt. 24 Ga. Stub, 150 ft long, Bifurcated Quick Clip
SC1Q21D200	Siecor 391Q (SCxx) Connector, 100-Pr Gold, Straight Mt. 24 Ga. Stub, 200 ft long, Bifurcated Quick Clip

#### Stubbed with 22 Gauge Cable

##### 391 Type, Gold with Straight Mounting Bracket, Wire Wrap Pins

Part Number	Description
SC1G12JG	Siecor 391 (SCxx) Connector, 100-Pr Gold, Straight Mt. 22 Ga. Stub, 30 ft long, Single Wire Wrap
SC1G12JL	Siecor 391 (SCxx) Connector, 100-Pr Gold, Straight Mt. 22 Ga. Stub, 50 ft long, Single Wire Wrap
SC1G12JS	Siecor 391 (SCxx) Connector, 100-Pr Gold, Straight Mt. 22 Ga. Stub, 80 ft long, Single Wire Wrap
SC1G12KA	Siecor 391 (SCxx) Connector, 100-Pr Gold, Straight Mt. 22 Ga. Stub, 100 ft long, Single Wire Wrap
SC1G12KL	Siecor 391 (SCxx) Connector, 100-Pr Gold, Straight Mt. 22 Ga. Stub, 150 ft long, Single Wire Wrap
SC1G12LA	Siecor 391 (SCxx) Connector, 100-Pr Gold, Straight Mt. 22 Ga. Stub, 200 ft long, Single Wire Wrap

##### 391 Type, Gold with Angle Mounting Bracket, Wire Wrap Pins

Part Number	Description
SC1G12AG	Siecor 391 (SCxx) Connector, 100-Pr Gold, Angle Mt. 22 Ga. Stub, 30 ft long, Single Wire Wrap
SC1G12AL	Siecor 391 (SCxx) Connector, 100-Pr Gold, Angle Mt. 22 Ga. Stub, 50 ft long, Single Wire Wrap
SC1G12AS	Siecor 391 (SCxx) Connector, 100-Pr Gold, Angle Mt. 22 Ga. Stub, 80 ft long, Single Wire Wrap
SC1G12BA	Siecor 391 (SCxx) Connector, 100-Pr Gold, Angle Mt. 22 Ga. Stub, 100 ft long, Single Wire Wrap
SC1G12BL	Siecor 391 (SCxx) Connector, 100-Pr Gold, Angle Mt. 22 Ga. Stub, 150 ft long, Single Wire Wrap
SC1G12CA	Siecor 391 (SCxx) Connector, 100-Pr Gold, Angle Mt. 22 Ga. Stub, 200 ft long, Single Wire Wrap

##### 391 Type, Gold with Straight Mounting Bracket, IDC Quick Clip Pins

Part Number	Description
SC1Q22D030	Siecor 391Q (SCxx) Connector, 100-Pr Gold, Straight Mt. 22 Ga. Stub, 30 ft long, Bifurcated Quick Clip
SC1Q22D050	Siecor 391Q (SCxx) Connector, 100-Pr Gold, Straight Mt. 22 Ga. Stub, 50 ft long, Bifurcated Quick Clip
SC1Q22D080	Siecor 391Q (SCxx) Connector, 100-Pr Gold, Straight Mt. 22 Ga. Stub, 80 ft long, Bifurcated Quick Clip
SC1Q22D100	Siecor 391Q (SCxx) Connector, 100-Pr Gold, Straight Mt. 22 Ga. Stub, 100 ft long, Bifurcated Quick Clip
SC1Q22D150	Siecor 391Q (SCxx) Connector, 100-Pr Gold, Straight Mt. 22 Ga. Stub, 150 ft long, Bifurcated Quick Clip
SC1Q22D200	Siecor 391Q (SCxx) Connector, 100-Pr Gold, Straight Mt. 22 Ga. Stub, 200 ft long, Bifurcated Quick Clip

