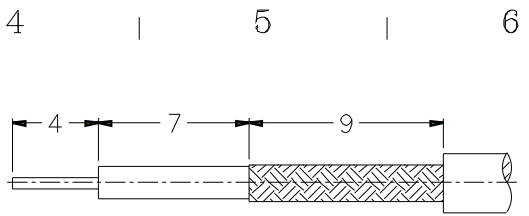
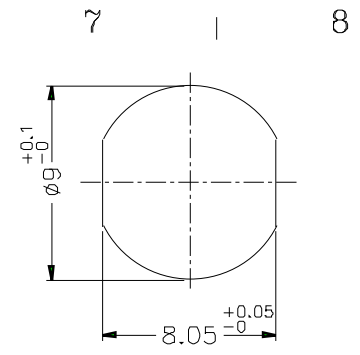


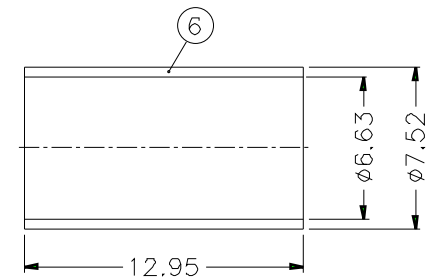
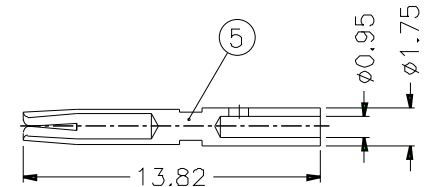
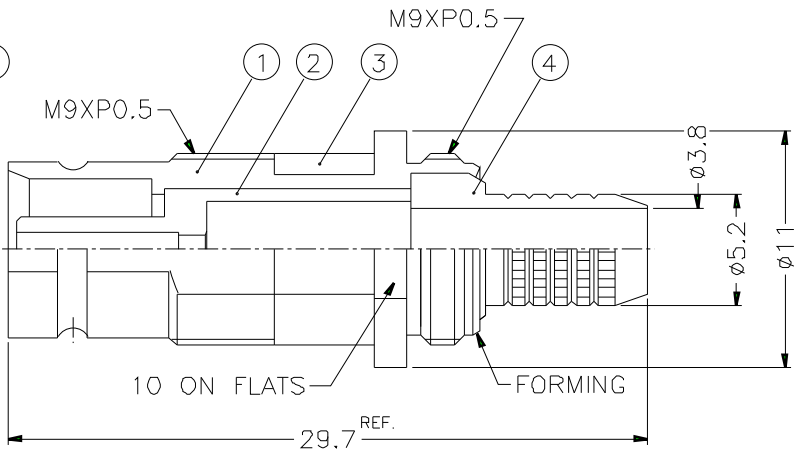
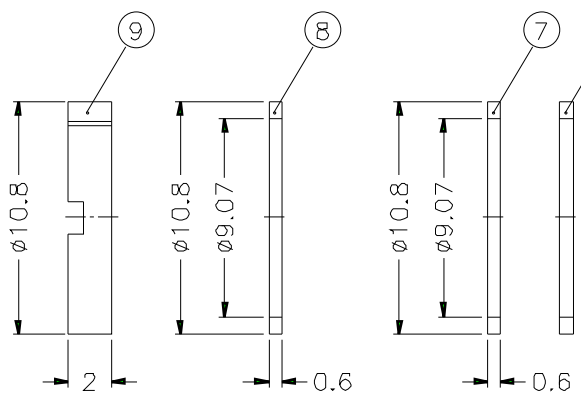
REVISIONS		
ISS	ZONE	DESCRIPTION\PER REQUEST\DATE



RECOMMENDED
CABLE STRIPPING DIM'S



RECOMMENDED
MOUNTING HOLE



CABLE: L910/12
L910/13
SIRTI 214

PANEL THICKNESS:

- 1.2mm(GROUNDED OR ISOLATED)
- 3mm(ONLY GROUNDED, WITHOUT WASHERS
⑦ AND ⑧)

- FERRULE CRIMPING TOOLS P/N
227-944(M22520/5-01)
227-1221-19A
(M22520/5-19A) HEX: 6.47 L=10.16
- INNER CONTACT CRIMPING TOOL P/N
413 SP ADJUST TO 6
- PACKAGING IN BAG WITH COMMERCIAL PART NUMBER AND DATE CODE

NO.	DESCRIPTION	MATERIAL	FINISH	Q'TY	DRAWING NO.
9	NUT	BRASS	NICKEL	1	
8	WASHER	BRASS	NICKEL	1	
7	ISOLATING WASHER	EPOXY GLASS -FR4 TYPE	NATURAL	2	
6	FERRULE	BRASS	NICKEL	1	
5	CONTACT PIN	CUBE	GOLD	1	
4	BARREL	BRASS	GOLD	1	
3	RING	PSU,20% G.F.	GREEN	1	
2	INSULATOR	TEFLON	NATURAL	1	
1	BODY	BRASS	GOLD	1	

DIMENSIONS ARE IN MILLIMETERS				PART NO. 156 788 03	
				APPROVED	DATE 10-11-01'
				CHECKED	DATE 10-11-01'
				DRAWN	DATE 10-11-01'
				FILE NO.	

Amphenol	
TITLE	1.6/5.6 75Ω BULKHEAD MOUNT JACK
DRAWING NO.	
ITEM NO.	

F
E
D
C
B
A

8
7
6
5
4
3
2
1