

DP8480 10K ECL-TO-TTL LEVEL TRANSLATOR WITH LATCH

SLLS035B – D3058, NOVEMBER 1987 – REVISED FEBRUARY 1993

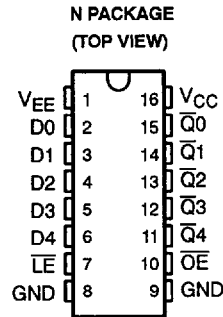
- ECL Control Inputs
- 3-State Outputs
- 10K ECL Input Compatible
- Direct Replacement for National Semiconductor DP8480

description

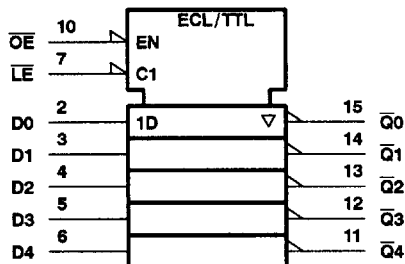
This circuit translates ECL-input levels to TTL-output levels and provides an inverting transparent latch. The 3-state outputs are designed to drive highly capacitive loads. All inputs operate at ECL levels.

If latch enable (\overline{LE}) is low, the latches are transparent and the \overline{Q} outputs follow the complement of the D inputs. If \overline{LE} is high, the outputs are latched. If output enable (\overline{OE}) is high, the outputs are in the high-impedance state, as they are during power up and power down.

The DP8480 is characterized for operation from 0°C to 75°C.



logic symbol†

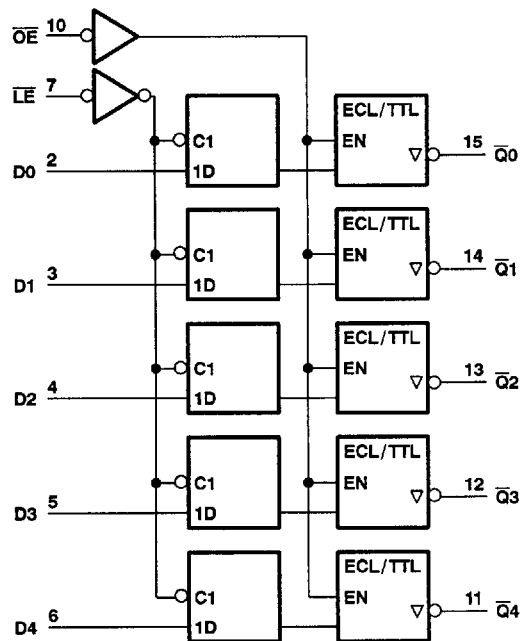


† This symbol is in accordance with ANSI/IEEE Std 91-1984 and IEC Publication 617-12.

FUNCTION TABLE
(each latch/translator)

\overline{OE}	\overline{LE}	D	\overline{Q}
H	X	X	Z
L	L	L	H
L	L	H	L
L	H	X	Q_0

logic diagram



PRODUCTION DATA information is current as of publication date. Products conform to specifications per the terms of Texas Instruments standard warranty. Production processing does not necessarily include testing of all parameters.

**TEXAS
INSTRUMENTS**

POST OFFICE BOX 655303 • DALLAS, TEXAS 75265

Copyright © 1993, Texas Instruments Incorporated

2-39

896J724 0090280 T84

DP8480

10K ECL-TO-TTL LEVEL TRANSLATOR WITH LATCH

SLLS035B – D3058, NOVEMBER 1987 – REVISED FEBRUARY 1993

absolute maximum ratings over operating free-air temperature range (unless otherwise noted)

Supply voltage, V_{CC}	7 V
Supply voltage, V_{EE}	-8 V
Input voltage range, V_I	0 V to V_{EE}
Output voltage, V_O	5.5 V
Continuous total dissipation	See Dissipation Rating Table
Operating free-air temperature range	0°C to 75°C
Storage temperature range	-65°C to 150°C
Lead temperature 1,6 mm (1/16 inch) from case for 10 seconds	260°C

DISSIPATION RATING TABLE

PACKAGE	$T_A = 25^\circ\text{C}$ POWER RATING	DERATING FACTOR ABOVE $T_A = 25^\circ\text{C}$	$T_A = 75^\circ\text{C}$ POWER RATING
N	1150 mW	9.2 mW/°C	690 mW

recommended operating conditions

	MIN	NOM	MAX	UNIT
Supply voltage, V_{CC}	4.5	5	5.5	V
Supply voltage, V_{EE}	-4.68	-5.20	-5.72	V
High-level Input voltage, V_{IH} (see Note 1)	$T_A = 0^\circ\text{C}$		-840	mV
	$T_A = 25^\circ\text{C}$		-810	
	$T_A = 75^\circ\text{C}$		-720	
Low-level Input voltage, V_{IL} (see Note 1)	$T_A = 0^\circ\text{C}$		-1490	mV
	$T_A = 25^\circ\text{C}$		-1475	
	$T_A = 75^\circ\text{C}$		-1450	
Pulse duration, \overline{LE} low, t_w (see Figure 1)	5			ns
Setup time, data before $\overline{LE}\uparrow$, t_{SU} (see Figure 1)	3			ns
Hold time, data after $\overline{LE}\uparrow$, t_H (see Figure 1)	3			ns
Operating free-air temperature, T_A	0		75	°C

NOTE 1: The algebraic convention, in which the least positive (most negative) value is designated minimum, is used in this data sheet for logic levels only.

electrical characteristics over recommended ranges of supply voltages and operating free-air temperature (unless otherwise noted)

PARAMETER	TEST CONDITIONS	MIN	TYP†	MAX	UNIT
V_{OH} High-level output voltage	$I_{OH} = -10$ mA	$V_{CC}-2$			V
V_{OL} Low-level output voltage	$I_{OL} = 12$ mA		0.2	0.5	V
I_{IH} High-level input current	$V_{IH} = V_{IH}$ max		75	350	μA
I_{IL} Low-level input current	$V_{IL} = V_{IL}$ min		50	85	μA
I_{OSH} High-state short-circuit output current	$V_{OSH} = 0$, See Note 2	-70	-150		mA
I_{OSL} High-state short-circuit output current	$V_{OSL} = 2.5$ V, See Note 2	70	150		mA
I_{OZ} High-impedance state output current	$V_O = 0$ to 5 V		±1	±50	μA
I_{CC} Supply current from V_{CC}	Outputs open, Inputs = V_{IL}		16	35	mA
I_{EE} Supply current from V_{EE}	Outputs open, Inputs = V_{IL}		-30	-50	mA

† Typical values are at $V_{CC} = 5$ V, $V_{EE} = -5.2$ V, $T_A = 25^\circ\text{C}$.

NOTE 2: During testing of I_{OSH} or I_{OSL} , only one output should be tested at a time and the current should be limited to a maximum of ±120 mA.

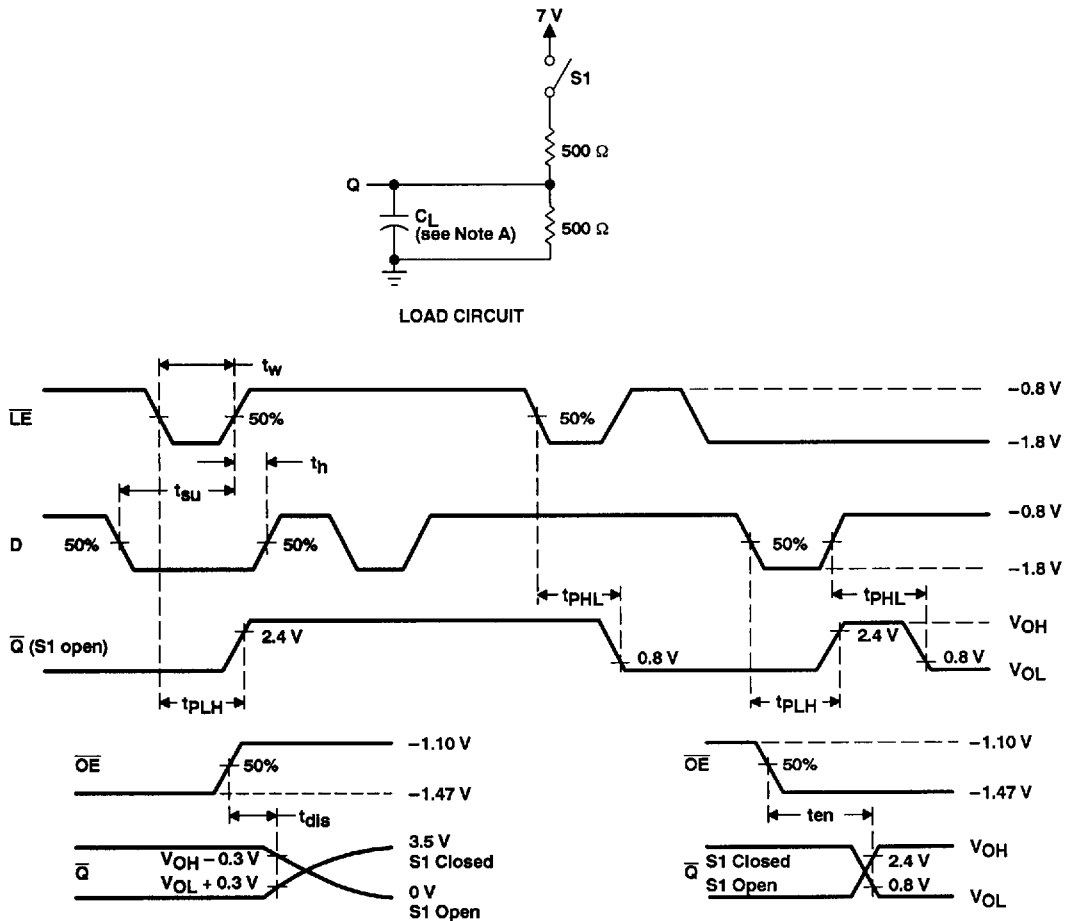


switching characteristics over recommended ranges of supply voltage and operating free-air temperature (unless otherwise noted)

PARAMETER	TEST CONDITIONS	MIN	TYP†	MAX	UNIT
t_{PLH} Propagation delay time, low-to-high-level output from \overline{LE} input	$C_L = 50$ pF, See Figure 1	4	10	15	ns
t_{PHL} Propagation delay time, high-to-low-level output from \overline{LE} input		4	11	15	ns
t_{PLH} Propagation delay time, low-to-high-level output from D input		3.5	10	15	ns
t_{PHL} Propagation delay time, high-to-low-level output from D input		3.5	11	15	ns
t_{en} Output enable time from \overline{OE} input		6	12	25	ns
t_{dis} Output disable time from \overline{OE} input		4.5	8	22	ns

† Typical values are at $V_{CC} = 5$ V, $V_{EE} = -5.2$ V, $T_A = 25^\circ\text{C}$, and with all channels switched simultaneously.

PARAMETER MEASUREMENT INFORMATION



NOTES: A. C_L includes probe and jig capacitance.
B. ECL input rise times and fall time are $2\text{ ns} \pm 0.2\text{ ns}$ from 20% to 80%.

Figure 1. Load Circuit and Voltage Waveforms

