

C2852

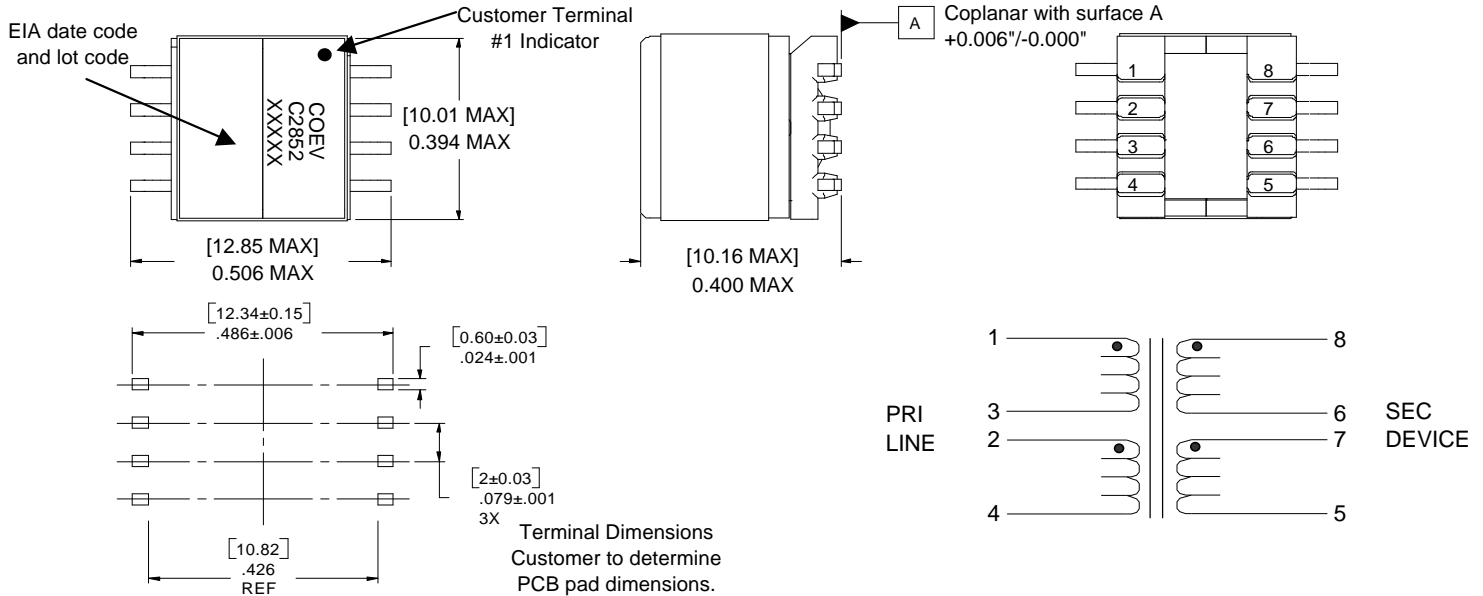
REV
B

COEV MAGNETICS

tyco Electronics

Product Description

**ADSL Coupling Transformer, IEC950 Supplementary 250V
850uH, 1:1 (Line : IC), GW CEP 7**



Information subject to change without notice. 02/02

Primary units are in inches. Millimeters are in brackets.

Electrical Specifications at +20°C unless noted otherwise

Test Description	Limit	Units	Tol	Notes
Inductance	850.00	μH	±5%	1-4 tie(2+3), 10kHz, 100mVAC, Ls.
Leakage Inductance	6.00	μH	Max.	1-4 tie(2+3,5-8), 100kHz, 100mVAC, Ls.
DC Resistance	1.87	Ω	±10%	1-3
DC Resistance	2.15	Ω	±10%	8-6
DC Resistance	2.36	Ω	±10%	2-4
DC Resistance	2.70	Ω	±10%	7-5
Turns Ratio	1.00 : 1.00	---	±1%	(1-4) : (8-5) tie(2+3,6+7), 10KHz, 100mVAC.
Dielectric	1,875	VAC	500μA	1-8 tie(2+3,6+7), 1 second test, 500μA maximum leakage current.
Total Harmonic Distortion	-90.00	dB	Max.	40kHz, 2.5dB [7.07 Vp-p], Line : IC
Insertion Loss	0.70	dB	Max.	100kHz.
Frequency Response	±0.50	dB	---	30kHz - 1.1MHz, 100kHz Reference.
Longitudinal Balance (ITU)	40.00	dB	Min.	1.1MHz - Hz, Gnd pin 8.

Patent Pending

The information contained in this drawing is the sole property of CoEv, Inc. Any reproduction or use without the written permission of CoEv, Inc. is prohibited.

TEL 888-978-2638 - FAX 605-886-8995 - Specifications subject to change without notice. For latest revision visit www.tycopowercomponents.com