

## 10/100BASE-TX TRANSFORMER MODULES

Ruggedized



- R** Compliant with IEEE802.3u & X3.263 Standards  
350uH OCL with 8mA DC
- R** IC grade transfer-molded package withstands 235°C peak temperature profile
- R** Operating and Storing Temperature:  
100B-4009 : -40°C to +85°C  
100B-4009X: -55°C to +125°C
- R** Moisture Sensitivity Level: 3

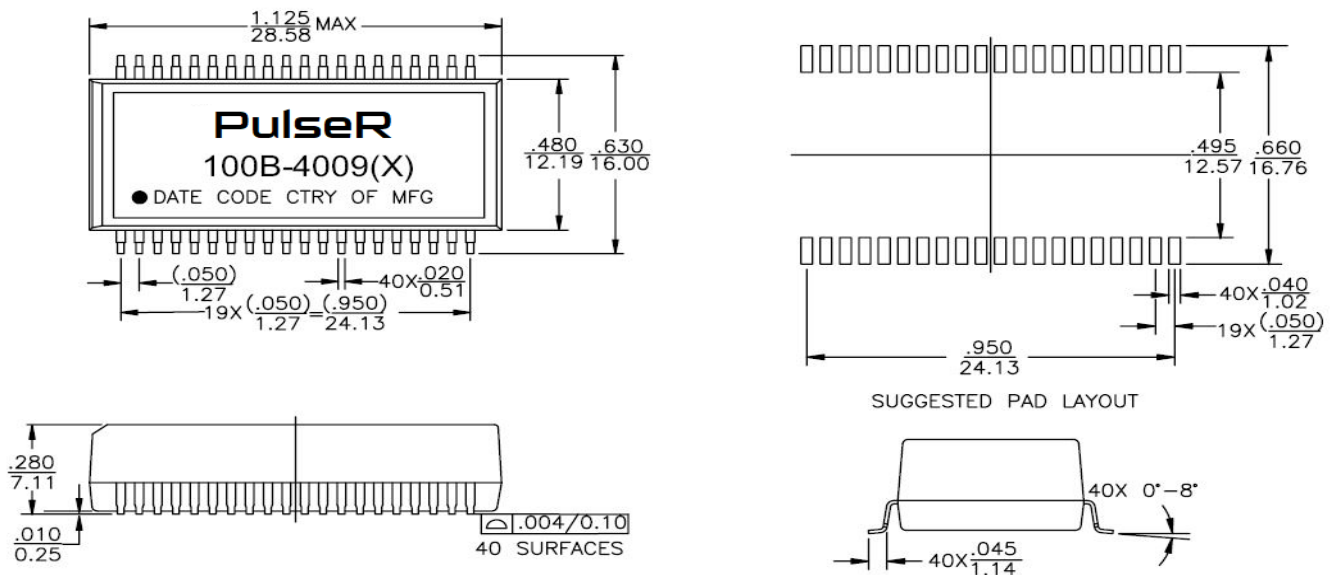
### Electrical Specification @ 25°C, Operating Temperature: -40°C ~ +85°C

Part Number	Insertion Loss (dB MAX)	Return Loss (dB MIN)				Crosstalk (dB MIN)				Differential to Common Mode Rejection (dB MIN)		HI-POT (Vrms MIN)
	0.1-100MHz	2-30MHz	40MHz	50MHz	60-80MHz	1MHz	30MHz	60MHz	100MHz	1-60MHz	60-200MHz	
<b>100B-4009</b>	-1.4	-18	-14.4	-13.1	-12	-50	-42	-37	-32	-37	-25	1500
<b>100B-4009X*</b>	-1.4	-18	-14.4	-13.1	-12	-50	-42	-37	-32	-37	-25	1500

Note: 1. Add suffix NL for RoHS compliant part i.e. 100B-4009XNL

### Mechanical

#### 100B-4009 & 100B-4009X



Weight ..... 4.80 grams  
Tape and Reel ..... .250/reel  
Tube ..... 15/tube

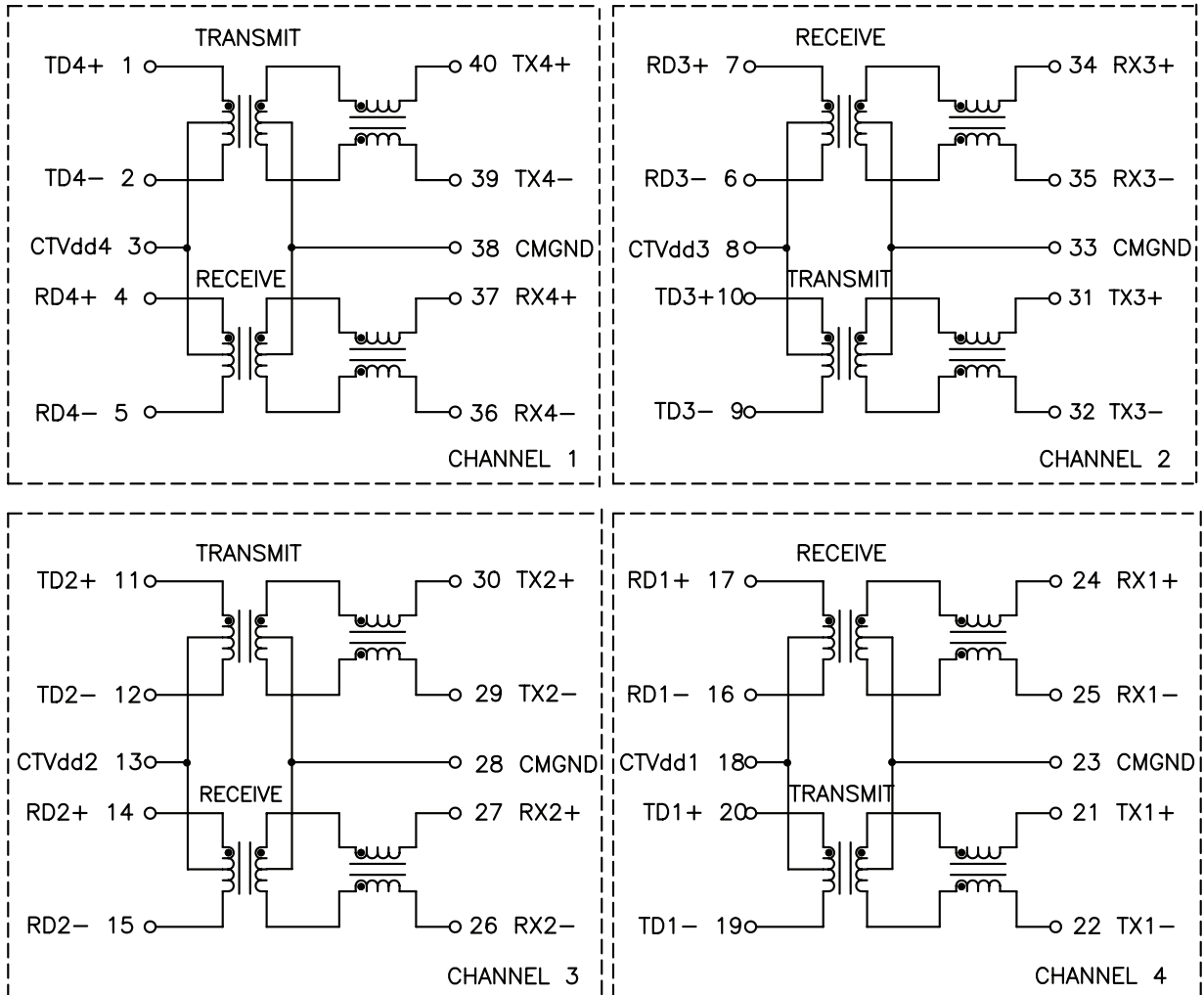
Dimensions: Inches  
mm  
Unless otherwise specified, all tolerances are 3 .010  
0,25

# 10/100BASE-TX TRANSFORMER MODULES

Ruggedized

## Schematic

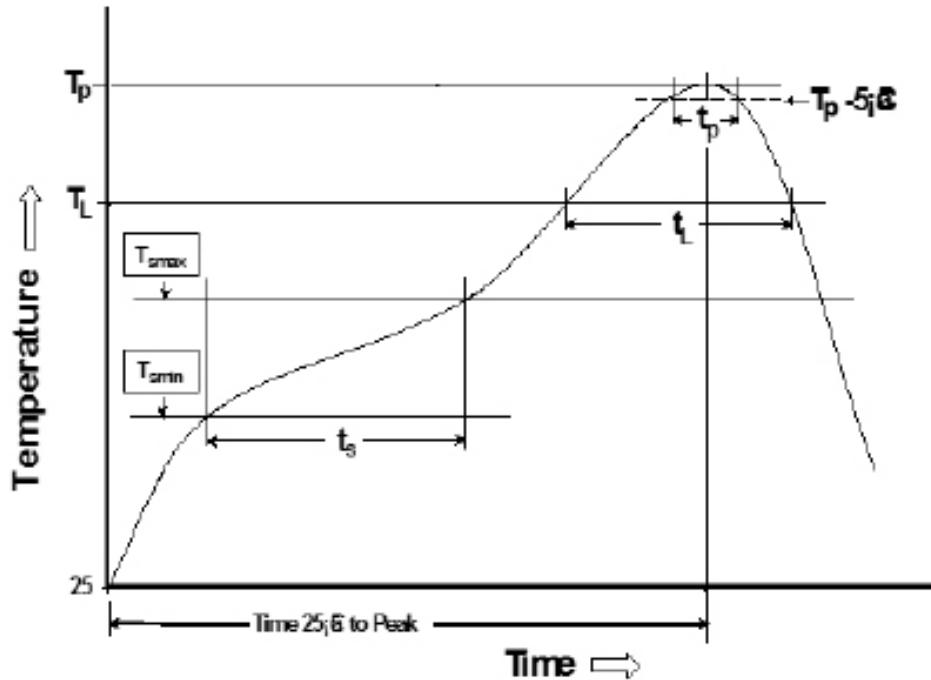
100B-4009 & 100B-4009X



# 10/100BASE-TX TRANSFORMER MODULES

Ruggedized

## Tin/Lead Recommended Reflow Profile (Based on J-STD-020D)



$T_{S\text{MIN}}$ °C	$T_{S\text{MAX}}$ (°C)	$T_L$ (°C)	$T_P$ (°C MAX)	$t_s$ (s)	$t_L$ (s)	$t_p$ (s MAX)	Ramp-up rate ( $T_L$ to $T_P$ )	Ramp-down rate ( $T_P$ to $T_L$ )	Time 25°C to peak temperature (s MAX)
100	150	183	235	60-120	60-150	20	3°C/s MAX	6°C/s MAX	360

Notes:

1. All temperatures measured on the package leads.
2. Maximum times of reflow cycle: 2.

### For More Information

PulseR North America  
Headquarters  
311 Sinclair Road,  
Bristol, PA 19007-1524  
U.S.A.

For Global Sales Representatives and Locations Visit:  
<http://www.pulseruggedized.com>

Tel: +1. 215. 781. 6400  
Fax: +1.215. 781. 6403

Performance warranty of products offered on this data sheet is limited to the parameters specified. Data is subject to change without notice. Other brand and product names mentioned herein may be trademarks or registered trademarks of their respective owners. © Copyright, 2019. PulseR, LLC. All rights reserved.