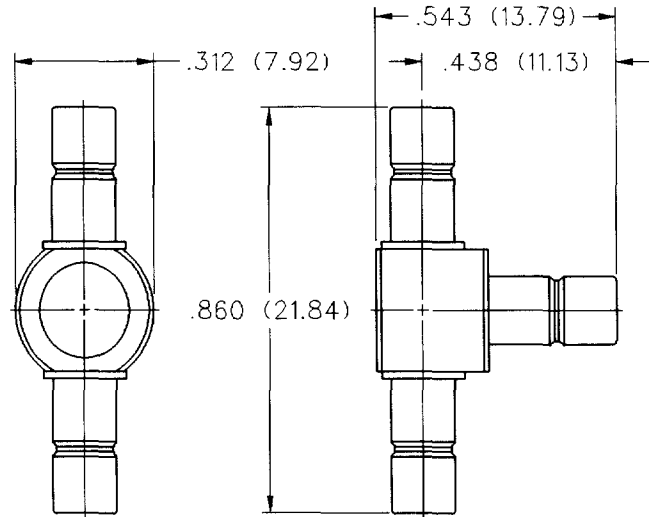
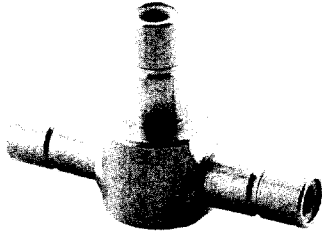
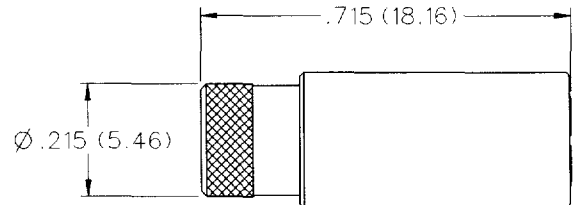
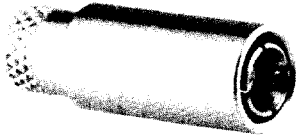


### Jack to Jack to Jack



GOLD PLATED	NICKEL PLATED
131-3901-901	131-3901-906

### Plug Dummy Load - 50 Ohm and 75 Ohm



FREQ. RANGE	GOLD PLATED	NICKEL	RESISTANCE
0-1 GHz	131-3801-811	131-3801-816	50 ohm
0-1 GHz	131-3801-821	131-3801-826	75 ohm

For precision 75 Ohm termination see Mini 75 Ohm SMB section.