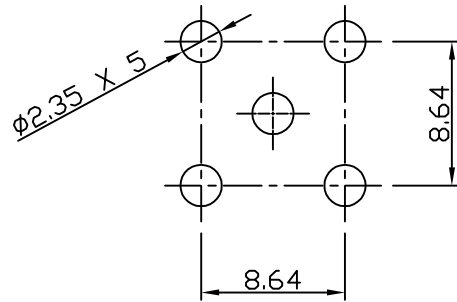
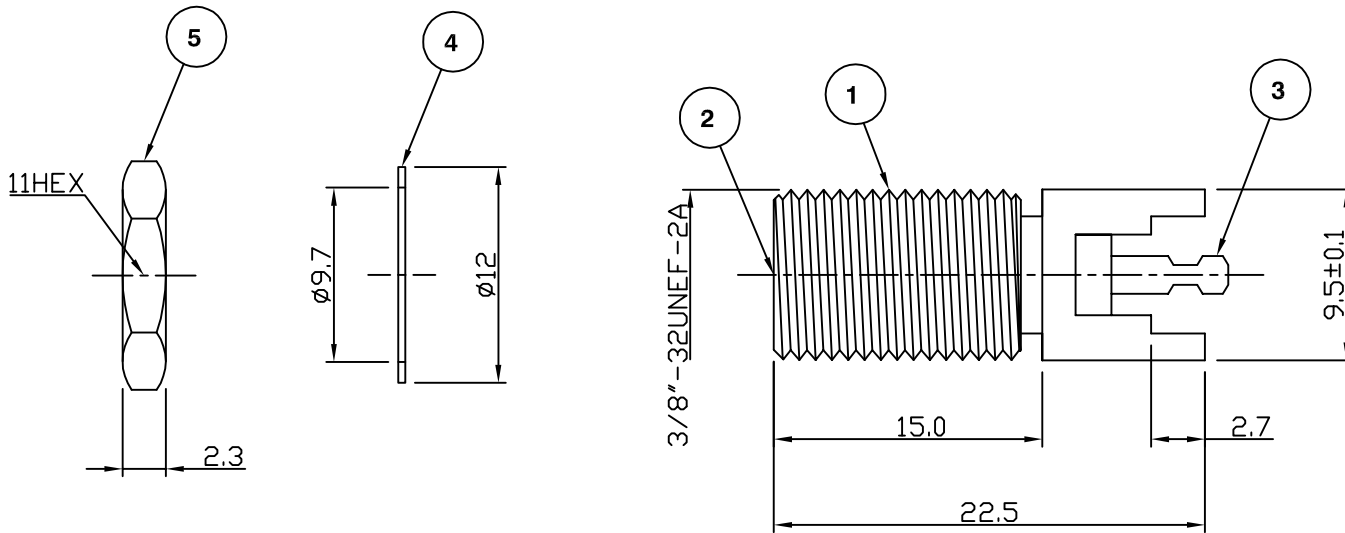


RoHS COMPLIANT



MOUNTING HOLE

**Electrical Characteristics**

Nominal Impedance: 75 ohms  
 Frequency Range: DC to 2 GHz  
 Operating Voltage (rms): 250 V maximum at sea level

**Mechanical Characteristics**

Mating Cycles: 200 cycles minimum

**Environmental Characteristics**

Temperature Range: -55 °C to +85 °C

PART	DESCRIPTION
1	Body Brass, nickel plated
2	Dielectric Polypropylene
3	Contact Brass, tin plated
4	Washer Steel, nickel plated
5	Nut Steel, nickel plated

DESCRIPTION OF REVISION	APPVD	ISS	DATE
Dimensional update on Nut & Washer	JT	5	09 June 10
Dimensional change	SN	4	16 May 03
CAD Issue	SN	3	25 Nov 02
Wrong description	AT	2	26 Jul 94
First Issue	IS	1	09 Oct 92



**Connectivity Solutions**  
 7-13 Russel Way,  
 Widford Industrial Estate,  
 Chelmsford, Essex,  
 CM1 3AA, UK.  
 Tel: +44 (0) 1245 359515  
 Fax: +44 (0) 1245 358938

SCALE: Not To Scale

DIMENSIONS: mm

TOLERANCES:  
 ± 0.2mm unless  
 otherwise stated

DRAWN BY:

S Nash

CHECKED BY:

P Couzens

APPROVED BY:

P Couzens

DATE:

16 May 03

TITLE:

F Vertical PCB Mount Jack

PART NUMBER:

**VF320**

PAGE: 1 of 1