

# SMB Style Connector (Low Cost Version)



## PSC2 Series

Connector Type  
**SMB**

Frequency Range  
**DC~4GHz**

Characteristic Impedance  
**50 Ω**

Applicable Cable  
**1.5D**

Lock Type  
**Push On**



### OUTLINE

PSC2 series is intermateable with SMB style connector which conform to MIL-C-39012 and modified smaller and lighter.

It is achieved low cost by reducing the number of parts and using molding parts/press-fabricated parts.

### APPLICATIONS

Base station, Telecom, Measurement equipments.

### FEATURE

- Added the spring which prevent the interface form spreading.  
It improves the strength for the torsional mating and retaining force.
- Recommended cable : 1.5DS-QEHV(TA) (Shikoku Cable) and 1.5D-HQ·SUPER (Fujikura)
- RoHS Compliant

### SPECIFICATIONS

Characteristic Impedance	50 Ω
Dielectric Withstanding Voltage	1000V AC(r.m.s.) / 1 minute
Insulation Resistance	1000M Ω Mim. at 500V DC
Contact Resistance	6m Ω Max.
V.S.W.R.	1.2 max. at DC to 4GHz
Mating Height	9.0mm max.

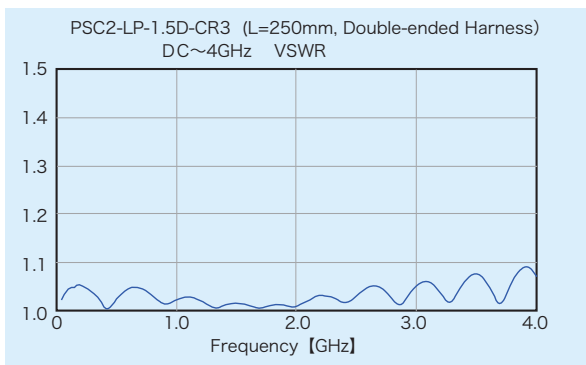
\* The specifications are typical but may not apply to all connectors. Please check the specifications on each item with its drawing from us when you use.

### MATERIAL/FINISH



Item	Material / Finish
Contact	Copper Alloy / Au Plating
Outer Conductor	Copper Alloy / Ni or Au Plating
Insulator	Fluorine Resin

### V.S.W.R.



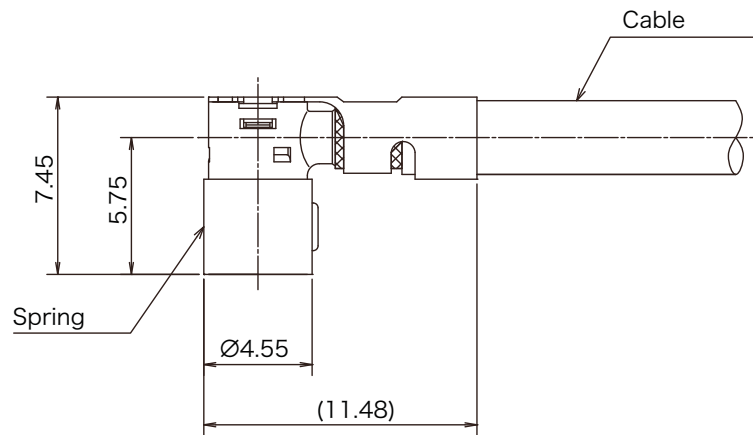
© Please acknowledge that the specification etc. of this catalog might change by the improvement etc. without a previous notice.

Moreover, the characteristic and the specification of the published product are the reference values.

Please confirm the content with the latest delivery specifications when you use the product.

## ▶ Cable Plug

## Dimensions



Part Number	Plating/Finish	
	Center Conductor	Outer Conductor
PSC2-LP-1.5D-CR3	Au	Ni
PSC2-LP-1.5D-CR3-D1	Au	Au

※ Plug connector is available in only cable assembly.