

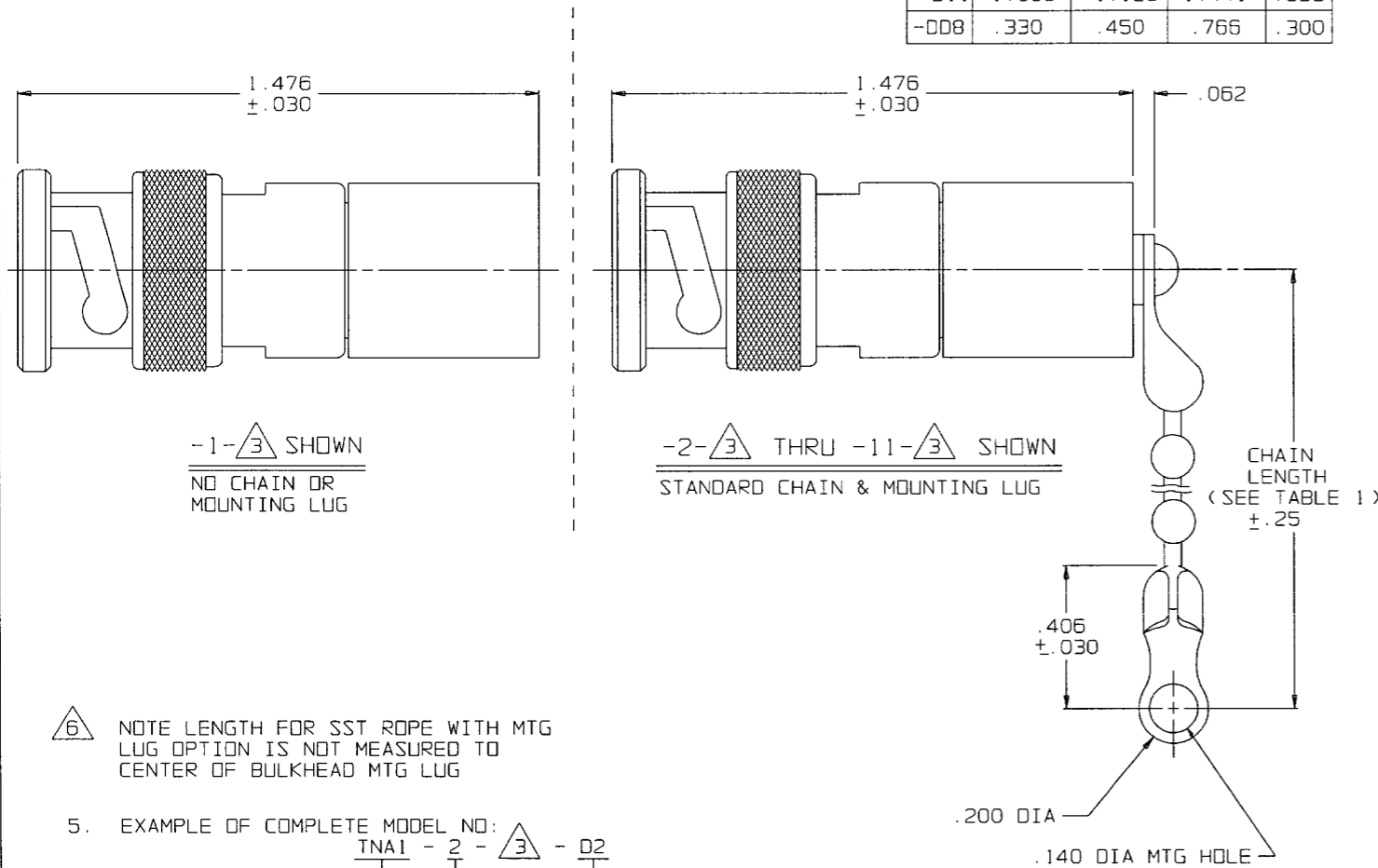
DASH NO	DESCRIPTION	DASH NO	DESCRIPTION
-1	TERM (NO CHAIN)	-10	TERM WITH 10.0 BRASS CHAIN
-2	TERM WITH 2.5 BRASS CHAIN	-11	TERM WITH 10.0 NYLON CHAIN
-3	TERM WITH 2.5 NYLON CHAIN	-12	TERM WITH 2.5 SST ROPE
-4	TERM WITH 3.0 BRASS CHAIN	-13	TERM WITH 3.0 SST ROPE
-5	TERM WITH 3.0 NYLON CHAIN	-14	TERM WITH 6.0 SST ROPE
-6	TERM WITH 6.0 BRASS CHAIN	-15	TERM WITH 4.0 SST ROPE
-7	TERM WITH 6.0 NYLON CHAIN	-16	TERM WITH 7.0 SST ROPE
-8	TERM WITH 4.0 BRASS CHAIN	-17	TERM WITH 4.5 SST ROPE
-9	TERM WITH 4.0 NYLON CHAIN		

DASH NO	"A" DIA	"B" DIA	"C" DIM	"D" DIA
-02	.630	.750	1.066	.450
-03	.505	.625	.941	.388
-04	.439	.562	.878	.355
-05	.380	.500	.815	.325
-06	.317	.437	.753	.295
-07	.281	.406	.722	.278
-08	.610	.750	1.066	.450
-09	.567	.687	1.003	.419
-D10	.192	.312	.628	.231
-D11	1.005	1.125	1.441	.638
-008	.330	.450	.766	.300

DATA CONTAINED IN THIS DOCUMENT IS PROPRIETARY TO TROMPETER ELECTRONICS INC. AND SHALL NOT BE DISCLOSED, COPIED OR USED FOR PROCUREMENT OR MANUFACTURE WITHOUT EXPRESS WRITTEN PERMISSION OF TROMPETER ELECTRONICS INC.

REVISIONS		102-0005	SH 1
REV	DESCRIPTION	DATE	APPROVED
AC	REVISED PER ECO 15106	7/1/03	WJ

RED INDICATES ORIGINAL



NOTE LENGTH FOR SST ROPE WITH MTG LUG OPTION IS NOT MEASURED TO CENTER OF BULKHEAD MTG LUG

EXAMPLE OF COMPLETE MODEL NO: TNA1 - 2 - 3 - 02

BASIC MODEL NO
TNH1 (50 OHM)
UTNH1 (75 OHM)

CHAIN/ROPE MATL
AND LENGTH
(SEE TABLE 1)

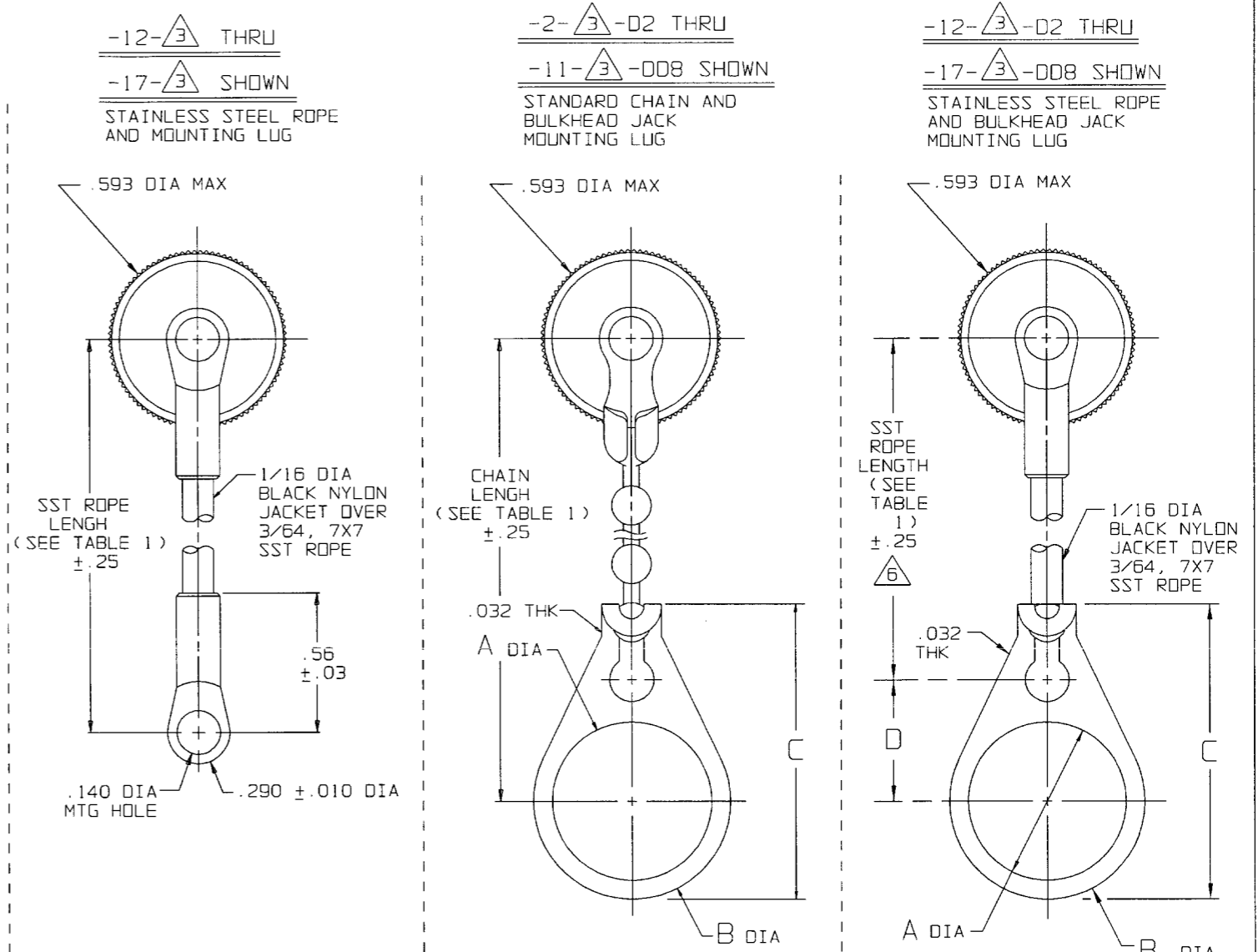
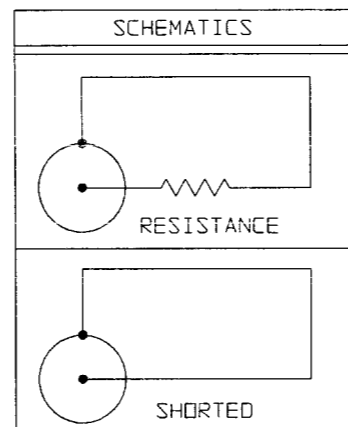
BULKHEAD JACK
MOUNTING LUG (OPTIONAL)
AVAILABLE WITH BRASS CHAIN,
NYLON CHAIN & SST ROPE
(SEE TABLE 2)

TERMINATED MALE COAXIAL 50 & 75 OHMS
TNC TYPE PLUG WITH CHAIN & MOUNTING
LUG OPTIONS

RESISTANCE VALUE IN OHMS (1/2W, 1%)
S = PIN SHORTED TO CASE (NO RESISTOR)

FINISH: TFS-1A (NICKEL)

ALL DIMENSIONS ARE IN INCHES



INTERPRET DRAWING PER MIL-STD-100 DIMENSIONS ARE IN INCHES AND INCLUDE FINISH THICKNESS UNLESS OTHERWISE SPECIFIED		TOL: UNLESS SPECIFIED XX ± .02 XXX ± .010 .XXXX	
DRAWN: JCM	DATE: 6-30-03	MATERIAL:	ANGLES:
CHECKED: APH	DATE: 6-30-03	FINISH:	
QUALITY:	DATE: 2-11-03		
HANDWRITTEN: WJ	DATE: 7/1/03		
APPROVED: WJ	DATE: 7/1/03		
CAD FILE NO: 102-0005AC1	DO NOT SCALE DWG		

TROMPETER ELECTRONICS, INC.			
TITLE: TNA1/UTNA1			
SIZE: B	CAGE CODE: 14949	DRAWING NO: 102-0005	REV: AC
SCALE: 4/1	DATE: 7-12-88	SHEET: 1 OF 3	