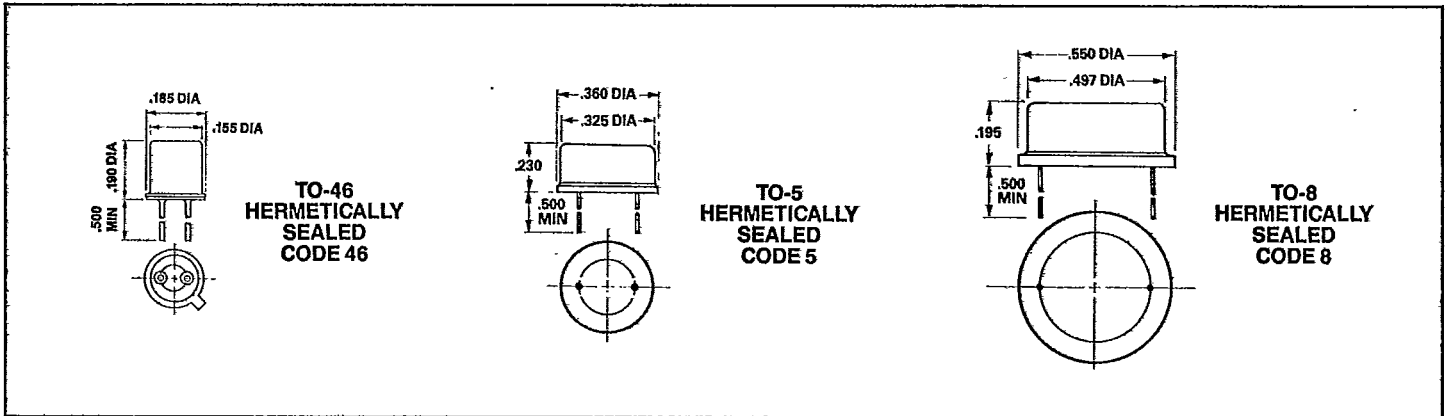
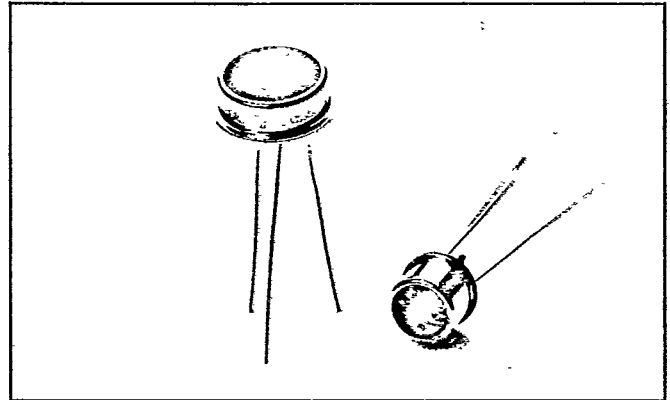


Lead Sulfide
Hermetically Sealed
Series AM-BM-CM

FEATURES

- Hermetically Sealed Packages
- Room Temperature Operation
- Customized Wavelength Response
- Customized Test Procedure
- Guaranteed Delivery
- 2 Year Guarantee
- Customized Filters Available



HOW TO ORDER:

Select the proper electrical type (AM,BM), match it with the proper mechanical and package code number. Example: AM-1-5, BM-5-8. The active areas listed above are considered standard sizes. Special sizes are available upon request. Series C can be gridded for low resistance. Special window diameters are available upon request.

Electrical Specifications			
Test Conditions at 25° C	AM	BM	CM
D* (Pk.,600,1) × 10 ¹¹	.5-1.0	.5-1.2	.5-1.2
Wavelength Cut-off Microns	3.0	3.4	2.7
Peak Wavelength Response	2.5	2.5	2.2
Time Constant μ Seconds	<100	100-300	≥300
Resistance Megohms	.2-2.0	.2-2.0	.5-10

Mechanical Specifications						
Code Number	Active Area		Bias Voltage		Typical VW ⁻¹ Responsivity	Package Size
	Inches	mm	Typical	Maximum		
1	.010	.25	10	20	1.0 × 10 ⁶	TO5-TO8-TO46
2	.020	.5	20	50	6.0 × 10 ⁵	TO5-TO8-TO46
3	.040	1	50	100	3.0 × 10 ⁵	TO5-TO8-TO46
4	.080	2	100	200	1.5 × 10 ⁵	TO5-TO8
5	.120	3	150	300	1.0 × 10 ⁵	TO5-TO8
6	.200	5	250	500	6.0 × 10 ⁴	TO8
7	.400	10	500	1000	3.0 × 10 ⁴	TO3

See Page 15 for additional technical information.